

# C1005X6S1E224M050BC

TDK Item Description : C1005X6S1E224MT\*\*\*\*

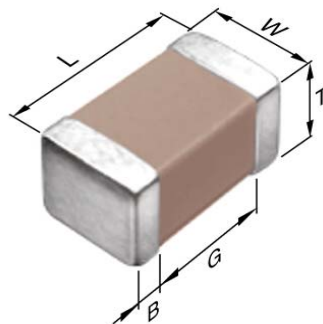


## Application & Main Feature

Commercial Grade ( General (Up to 50V) )

## Series

C1005 [EIA CC0402]



## Dimensions

L 1.00mm +/-0.05mm  
 W 0.50mm +/-0.05mm  
 T 0.50mm +/-0.05mm  
 B 0.10mm Min.  
 G 0.30mm Min.

## Temperature Characteristic

X6S (-55 to 105 degC +/-22%)

## Rated Voltage

1E (25Vdc)

## Capacitance

220nF

## Capacitance Tolerance

M (+/-20%)

## Dissipation Factor

10% Max.

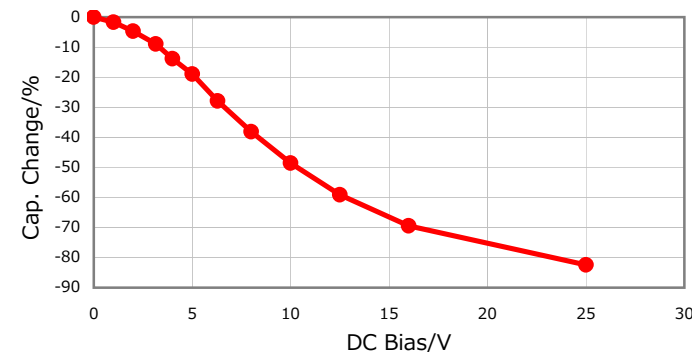
## Insulation Resistance

454Mohm Min.

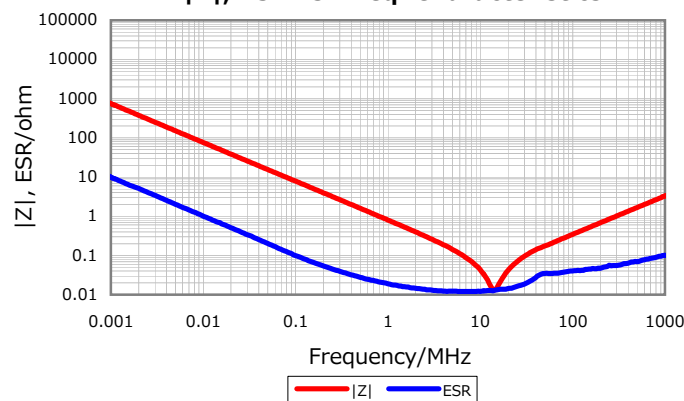
## AEC-Q200

Not Applicable

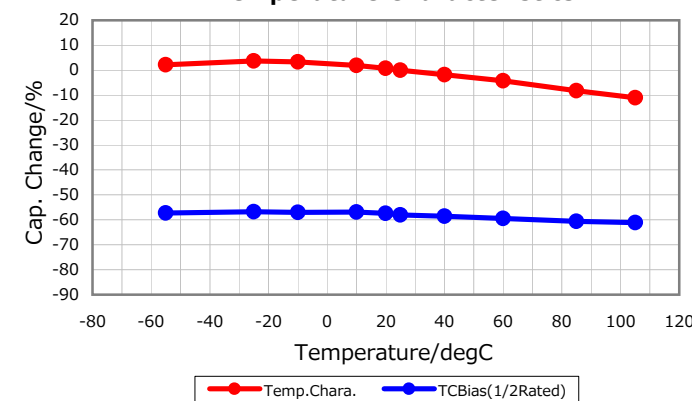
## DC Bias Characteristic



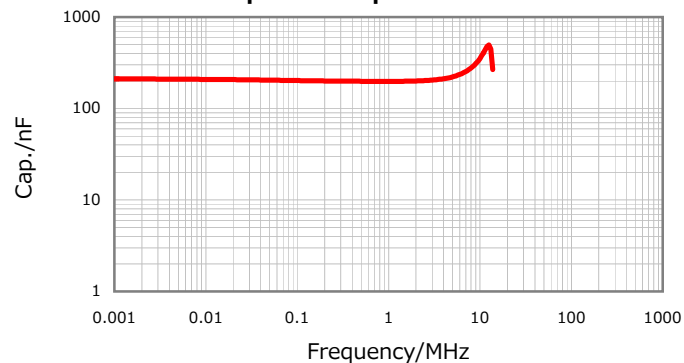
## |Z|, ESR vs. Freq. Characteristics



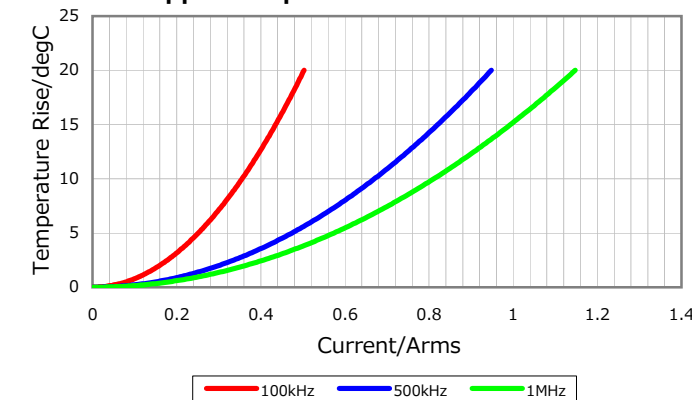
## Temperature Characteristics



## Cap. vs. Freq. Characteristic



## Ripple Temperature Rise Characteristics



Characterization Sheet ( Multilayer Ceramic Chip Capacitors )



⚠ All specifications are subject to change without notice.

January 3, 2016