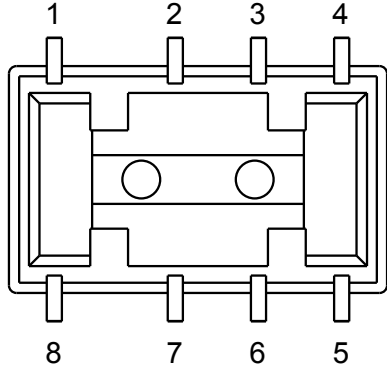
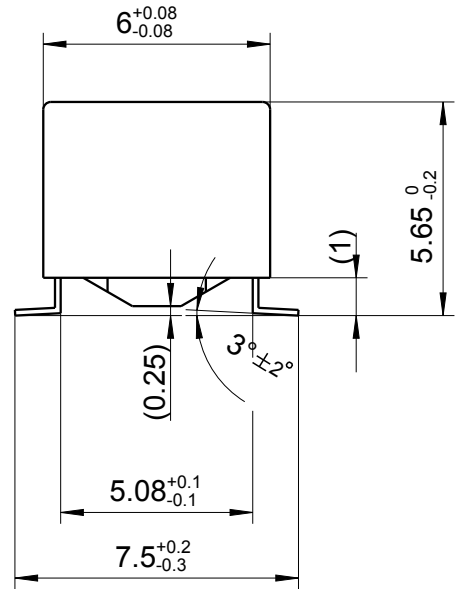
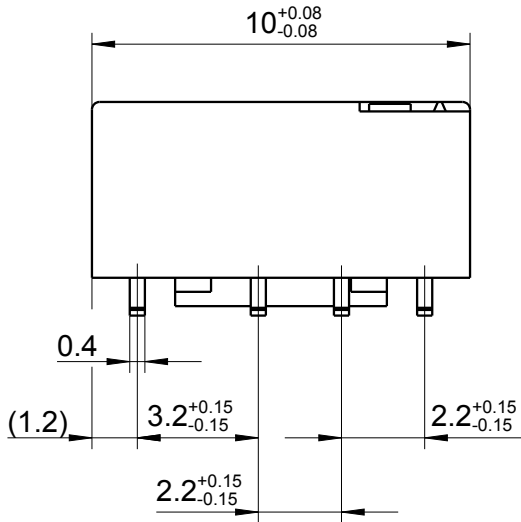


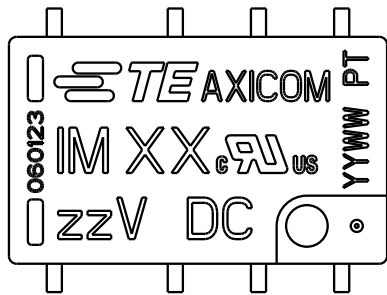
LOC	DIST	REVISIONS					
		P	LTR	DESCRIPTION	DATE	DWN	APVD
HJ	-		A7	additional marking	10OCT2008	UKo	HD
			A8	REVISED PER ECO-11-005150	25MAR2011	RK	HMR
			A9	REVISED PER ECR-11-015637	10JUN2013	UKo	AK
			A10	REVISED PER ECR-13-014508 (TE-Logo)	16SEP2013	UKo	AK



Relay - bottom view



Coplanarity < 0.10mm



XX = Relay type  
 zz = nominal voltage  
 YYWW = Date code

2000

RELEASED FOR PUBLICATION

ALL RIGHTS RESERVED.

THIS DRAWING IS UNPUBLISHED.

© COPYRIGHT 2000

DRAWING ALIAS: E2000-DOK02

DIMENSIONS: mm	DWN UKo 9193	20JAN1999	MATERIAL	-	FINISH	-
	CHK HD 9121	20JAN1999	TE Connectivity			
TOLERANCES UNLESS OTHERWISE SPECIFIED: DIN 7168-m	APVD HD 9121	20JAN1999				
0 PLC ±	PRODUCT SPEC	-	NAME IM-Relay SMT Gull Wings Dimensions			
1 PLC ±	-	-				
2 PLC ±	APPLICATION SPEC	-	SIZE	CAGE CODE	DRAWING NO	RESTRICTED TO
3 PLC ±	-	-	A4	00779	C-1462037-2	-
4 PLC ±	WEIGHT	-	CUSTOMER DRAWING			
ANGLES ±	-	-				
			SCALE	5:1	SHEET	1 OF 1
			REV A10			