

# C3216CH2J681J085AA

TDK Item Description : C3216CH2J681JT\*\*\*\*

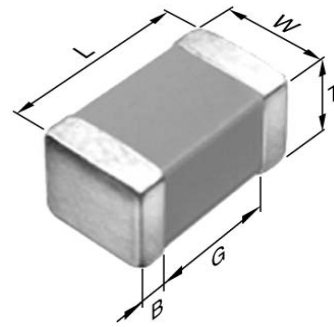


## Application & Main Feature

Commercial Grade ( Mid Voltage (100 to 630V) )

## Series

C3216 [EIA CC1206]



## Dimensions

L 3.20mm +/-0.2mm  
 W 1.60mm +/-0.2mm  
 T 0.85mm +/-0.15mm  
 B 0.20mm Min.  
 G 1.00mm Min.

## Temperature Characteristic

CH (-25 to 85 degC 0+/-60ppm/degC)

## Rated Voltage

2J (630Vdc)

## Capacitance

680pF

## Capacitance Tolerance

J (+/-5%)

## Q Factor

1000 Min.

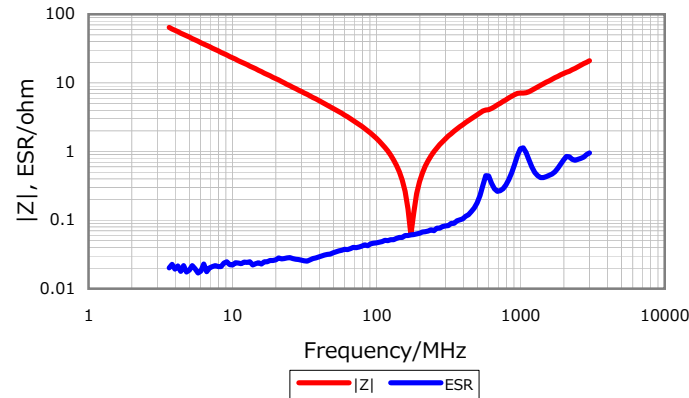
## Insulation Resistance

10Gohm Min.

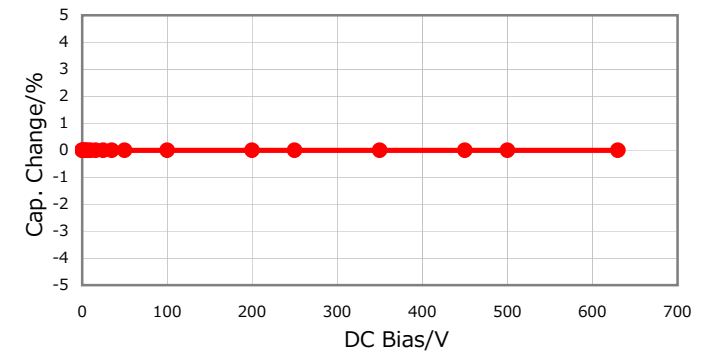
## AEC-Q200

Not Applicable

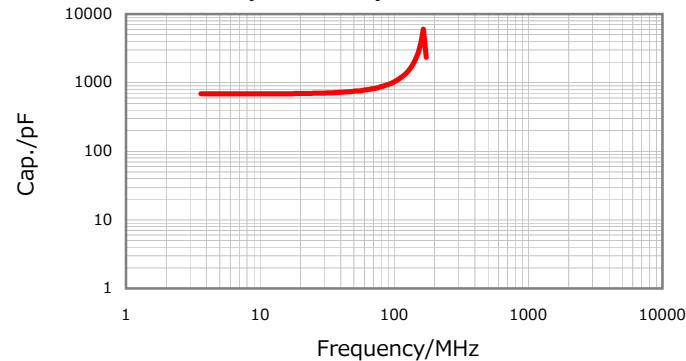
**|Z|, ESR vs. Freq. Characteristics**



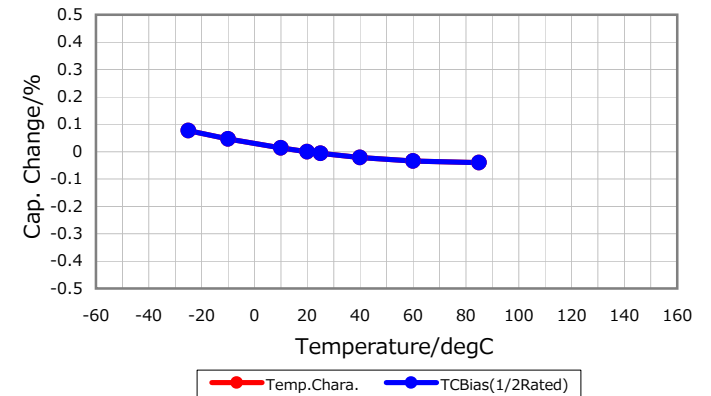
**DC Bias Characteristic**



**Cap. vs. Freq. Characteristic**



**Temperature Characteristics**



Characterization Sheet ( Multilayer Ceramic Chip Capacitors )



All specifications are subject to change without notice.

January 3, 2016