

## MSP430FR235x, MSP430FR215x Mixed-Signal Microcontrollers

### 1 Device Overview

#### 1.1 Features

- Embedded microcontroller
  - 16-bit RISC architecture up to 24 MHz
  - Extended temperature:  $-40^{\circ}\text{C}$  to  $105^{\circ}\text{C}$
  - Wide supply voltage range from 3.6 V down to 1.8 V (operational voltage is restricted by SVS levels, see  $V_{\text{SVSH-}}$  and  $V_{\text{SVSH+}}$  in [PMM, SVS and BOR](#))
- Optimized low-power modes (at 3 V)
  - Active mode: 142  $\mu\text{A}/\text{MHz}$
  - Standby:
    - LPM3 with 32768-Hz crystal: 1.43  $\mu\text{A}$  (with SVS enabled)
    - LPM3.5 with 32768-Hz crystal: 620 nA (with SVS enabled)
    - Shutdown (LPM4.5): 42 nA (with SVS disabled)
- Low-power ferroelectric RAM (FRAM)
  - Up to 32KB of nonvolatile memory
  - Built-in error correction code (ECC)
  - Configurable write protection
  - Unified memory of program, constants, and storage
  - $10^{15}$  write cycle endurance
  - Radiation resistant and nonmagnetic
- Ease of use
  - 20KB ROM library includes driver libraries and FFT libraries
- High-performance analog
  - One 12-channel 12-bit analog-to-digital converter (ADC)
    - Internal shared reference (1.5, 2.0, or 2.5 V)
    - Sample-and-hold 200 ksps
  - Two enhanced comparators (eCOMP)
    - Integrated 6-bit digital-to-analog converter (DAC) as reference voltage
    - Programmable hysteresis
    - Configurable high-power and low-power modes
    - One with fast 100-ns response time
    - One with 1- $\mu\text{s}$  response time with 1.5- $\mu\text{A}$  low power
  - Four smart analog combo (SAC-L3) (MSP430FR235x devices only)
    - Supports General-Purpose Operational Amplifier (OA)
    - Rail-to-rail input and output
    - Multiple input selections
  - Configurable high-power and low-power modes
  - Configurable PGA mode supports
    - Noninverting mode: x1, x2, x3, x5, x9, x17, x26, x33
    - Inverting mode: x1, x2, x4, x8, x16, x25, x32
  - Built-in 12-bit reference DAC for offset and bias settings
  - 12-bit voltage DAC mode with optional references
- Intelligent digital peripherals
  - Three 16-bit timers with three capture/compare registers each (Timer\_B3)
  - One 16-bit timer with seven capture/compare registers each (Timer\_B7)
  - One 16-bit counter-only real-time clock counter (RTC)
  - 16-bit cyclic redundancy checker (CRC)
  - Interrupt compare controller (ICC) enabling nested hardware interrupts
  - 32-bit hardware multiplier (MPY32)
  - Manchester codec (MFM)
- Enhanced serial communications
  - Two enhanced USCI\_A (eUSCI\_A) modules support UART, IrDA, and SPI
  - Two enhanced USCI\_B (eUSCI\_B) modules support SPI and I<sup>2</sup>C
- Clock system (CS)
  - On-chip 32-kHz RC oscillator (REFO)
  - On-chip 24-MHz digitally controlled oscillator (DCO) with frequency locked loop (FLL)
    - $\pm 1\%$  accuracy with on-chip reference at room temperature
  - On-chip very low-frequency 10-kHz oscillator (VLO)
  - On-chip high-frequency modulation oscillator (MODOSC)
  - External 32-kHz crystal oscillator (LFXT)
  - External high-frequency crystal oscillator up to 24 MHz (HFXT)
  - Programmable MCLK prescaler of 1 to 128
  - SMCLK derived from MCLK with programmable prescaler of 1, 2, 4, or 8



- General input/output and pin functionality
  - 44 I/Os on 48-pin package
  - 32 interrupt pins (P1, P2, P3, and P4) can wake MCU from LPMs
- Development tools and software (also see [Tools and Software](#))
  - LaunchPad™ development kit ([MSP-EXP430FR2355](#))
  - Target development board ([MSP-TS43048PT](#))
  - Free professional development environments
- Family members (also see [Device Comparison](#))
  - MSP430FR2355: 32KB of program FRAM, 512 bytes of data FRAM, 4KB of RAM
  - MSP430FR2353: 16KB of program FRAM, 512 bytes of data FRAM, 2KB of RAM
  - MSP430FR2155: 32KB of program FRAM, 512 bytes of data FRAM, 4KB of RAM
  - MSP430FR2153: 16KB of program FRAM, 512 bytes of data FRAM, 2KB of RAM
- Package options
  - 48-pin: LQFP (PT)
  - 40-pin: VQFN (RHA)
  - 38-pin: TSSOP (DBT)
  - 32-pin: VQFN (RSM)

## 1.2 Applications

- Smoke and heat detectors
- Sensor transmitters
- Circuit breakers
- Sensor signal conditioning
- Wired industrial communications
- Optical modules
- Battery pack management
- Toll tags

## 1.3 Description

MSP430FR215x and MSP430FR235x microcontrollers (MCUs) are part of the MSP430™ MCU value line portfolio of ultra-low-power low-cost devices for sensing and measurement applications. MSP430FR235x MCUs integrate four configurable signal-chain modules called smart analog combos, each of which can be used as a 12-bit DAC or a configurable programmable-gain Op-Amp to meet the specific needs of a system while reducing the BOM and PCB size. The device also includes a 12-bit SAR ADC and two comparators. The MSP430FR215x and MSP430FR235x MCUs all support an extended temperature range from –40° up to 105°C, so higher temperature industrial applications can benefit from the devices' FRAM data-logging capabilities. The extended temperature range allows developers to meet requirements of applications such as smoke detectors, sensor transmitters, and circuit breakers.

The MSP430FR215x and MSP430FR235x MCUs feature a powerful 16-bit RISC CPU, 16-bit registers, and a constant generator that contribute to maximum code efficiency. The digitally controlled oscillator (DCO) allows the device to wake up from low-power modes to active mode typically in less than 10 μs.

The MSP430 ultra-low-power (ULP) FRAM microcontroller platform combines uniquely embedded FRAM and a holistic ultra-low-power system architecture, allowing system designers to increase performance while lowering energy consumption. FRAM technology combines the low-energy fast writes, flexibility, and endurance of RAM with the nonvolatile behavior of flash.

MSP430FR215x and MSP430FR235x MCUs are supported by an extensive hardware and software ecosystem with reference designs and code examples to get your design started quickly. Development kits include the [MSP-EXP430FR2355](#) LaunchPad™ development kit and the [MSP-TS430PT48](#) 48-pin target development board. TI also provides free [MSP430Ware™ software](#), which is available as a component of [Code Composer Studio™ IDE](#) desktop and cloud versions within [TI Resource Explorer](#). The MSP430 MCUs are also supported by extensive online collateral, training, and online support through the [E2E™ support forums](#).

For complete module descriptions, see the [MSP430FR4xx and MSP430FR2xx Family User's Guide](#).

**Device Information<sup>(1)</sup>**

PART NUMBER	OPERATING TEMPERATURE	PACKAGE	BODY SIZE <sup>(2)</sup>
MSP430FR2355TPT	-40°C to 105°C	LQFP (48)	7 mm x 7 mm
MSP430FR2353TPT			
MSP430FR2155TPT			
MSP430FR2153TPT			
MSP430FR2355TRHA	-40°C to 105°C	VQFN (40)	6 mm x 6 mm
MSP430FR2353TRHA			
MSP430FR2155TRHA			
MSP430FR2153TRHA			
MSP430FR2355TDBT	-40°C to 105°C	TSSOP (38)	9.7 mm x 4.4 mm
MSP430FR2353TDBT			
MSP430FR2155TDBT			
MSP430FR2153TDBT			
MSP430FR2355TRSM	-40°C to 105°C	VQFN (32)	4 mm x 4 mm
MSP430FR2353TRSM			
MSP430FR2155TRSM			
MSP430FR2153TRSM			

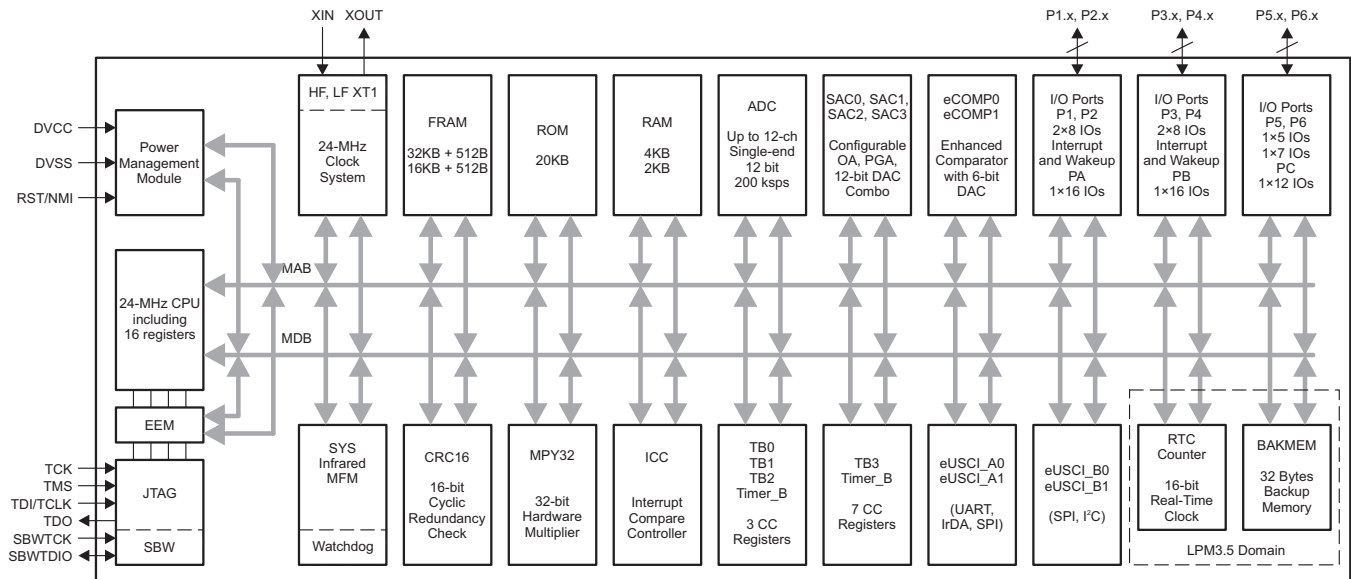
- (1) For the most current part, package, and ordering information, see the *Package Option Addendum* in [Section 9](#), or see the TI web site at [www.ti.com](http://www.ti.com).
- (2) The sizes shown here are approximations. For the package dimensions with tolerances, see the *Mechanical Data* in [Section 9](#).

**CAUTION**

System-level ESD protection must be applied in compliance with the device-level ESD specification to prevent electrical overstress or disturbing of data or code memory. See [MSP430™ System-Level ESD Considerations](#) for more information.

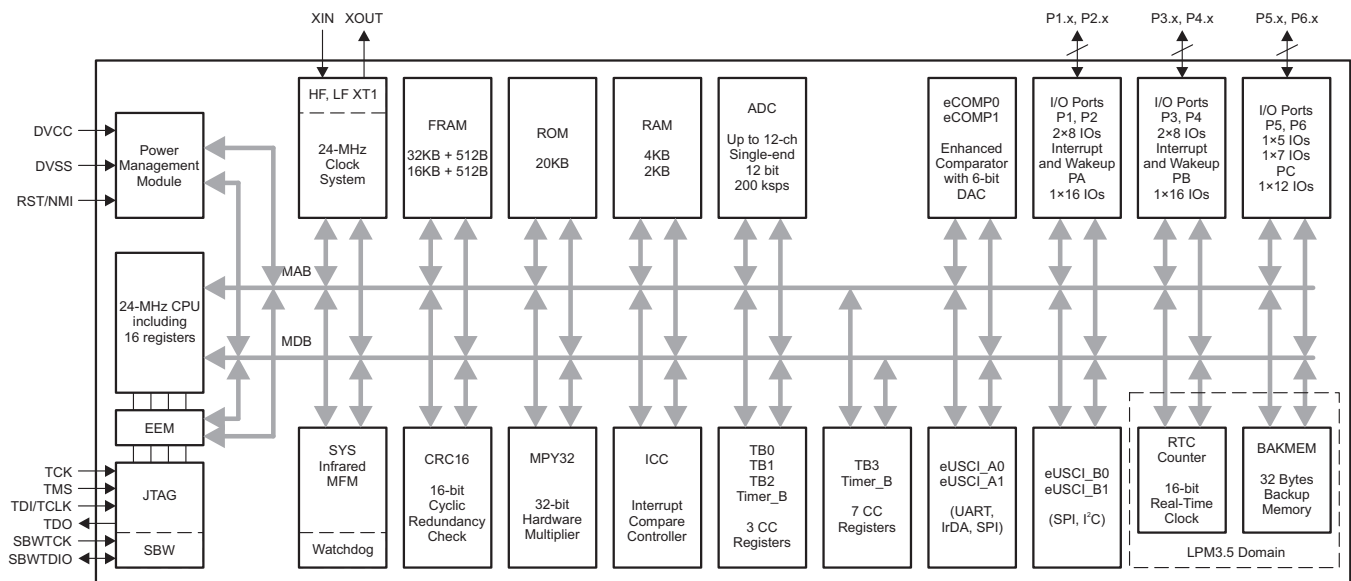
## 1.4 Functional Block Diagrams

Figure 1-1 shows the MSP430FR235x functional block diagram.



**Figure 1-1. MSP430FR235x Functional Block Diagram**

Figure 1-2 shows the MSP430FR215x functional block diagram.



**Figure 1-2. MSP430FR215x Functional Block Diagram**

- The MCU has one main power pair of DVCC and DVSS pins that supplies digital and analog modules. Recommended bypass and decoupling capacitors are 4.7  $\mu$ F to 10  $\mu$ F and 0.1  $\mu$ F, respectively, with  $\pm 5\%$  accuracy.
- P1, P2, P3, and P4 feature the pin-interrupt function and can wake the MCU from all LPMs, including LPM4, LPM3.5, and LPM4.5.
- Each Timer\_B3 has three capture/compare registers. Only CCR1 and CCR2 are externally connected. Timer\_B7 has seven capture/compare registers. Only CCR1 to CCR6 are externally connected. CCR0 registers can be used only for internal period timing and interrupt generation.
- In LPM3.5, the RTC counter and backup memory can be functional while the rest of peripherals are off.

## Table of Contents

<b>1</b>	<b>Device Overview</b> .....	<b><a href="#">1</a></b>	<b>6</b>	<b>Detailed Description</b> .....	<b><a href="#">61</a></b>
1.1	Features .....	<a href="#">1</a>	6.1	CPU .....	<a href="#">61</a>
1.2	Applications .....	<a href="#">2</a>	6.2	Operating Modes .....	<a href="#">61</a>
1.3	Description .....	<a href="#">2</a>	6.3	Interrupt Vector Addresses .....	<a href="#">63</a>
1.4	Functional Block Diagrams .....	<a href="#">4</a>	6.4	Memory Organization .....	<a href="#">65</a>
<b>2</b>	<b>Revision History</b> .....	<b><a href="#">6</a></b>	6.5	Bootloader (BSL) .....	<a href="#">65</a>
<b>3</b>	<b>Device Comparison</b> .....	<b><a href="#">8</a></b>	6.6	JTAG Standard Interface .....	<a href="#">66</a>
3.1	Related Products .....	<a href="#">9</a>	6.7	Spy-Bi-Wire Interface (SBW) .....	<a href="#">66</a>
<b>4</b>	<b>Terminal Configuration and Functions</b> .....	<b><a href="#">10</a></b>	6.8	FRAM .....	<a href="#">66</a>
4.1	Pin Diagrams .....	<a href="#">10</a>	6.9	Memory Protection .....	<a href="#">67</a>
4.2	Pin Attributes .....	<a href="#">18</a>	6.10	Peripherals .....	<a href="#">67</a>
4.3	Signal Descriptions .....	<a href="#">22</a>	6.11	Input/Output Diagrams .....	<a href="#">95</a>
4.4	Pin Multiplexing .....	<a href="#">26</a>	6.12	Device Descriptors (TLV) .....	<a href="#">107</a>
4.5	Buffer Type .....	<a href="#">26</a>	6.13	Identification .....	<a href="#">109</a>
4.6	Connection of Unused Pins .....	<a href="#">26</a>	<b>7</b>	<b>Applications, Implementation, and Layout</b> .....	<b><a href="#">110</a></b>
<b>5</b>	<b>Specifications</b> .....	<b><a href="#">27</a></b>	7.1	Device Connection and Layout Fundamentals .....	<a href="#">110</a>
5.1	Absolute Maximum Ratings .....	<a href="#">27</a>	7.2	Peripheral- and Interface-Specific Design Information .....	<a href="#">113</a>
5.2	ESD Ratings .....	<a href="#">27</a>	7.3	ROM Libraries .....	<a href="#">114</a>
5.3	Recommended Operating Conditions .....	<a href="#">27</a>	7.4	Typical Applications .....	<a href="#">114</a>
5.4	Active Mode Supply Current Into $V_{CC}$ Excluding External Current .....	<a href="#">28</a>	<b>8</b>	<b>Device and Documentation Support</b> .....	<b><a href="#">115</a></b>
5.5	Active Mode Supply Current Per MHz .....	<a href="#">28</a>	8.1	Getting Started .....	<a href="#">115</a>
5.6	Low-Power Mode LPM0 Supply Currents Into $V_{CC}$ Excluding External Current .....	<a href="#">28</a>	8.2	Device Nomenclature .....	<a href="#">115</a>
5.7	Low-Power Mode LPM3 and LPM4 Supply Currents (Into $V_{CC}$ ) Excluding External Current .....	<a href="#">29</a>	8.3	Tools and Software .....	<a href="#">116</a>
5.8	Low-Power Mode LPMx.5 Supply Currents (Into $V_{CC}$ ) Excluding External Current .....	<a href="#">30</a>	8.4	Documentation Support .....	<a href="#">118</a>
5.9	Production Distribution of LPM Supply Currents .....	<a href="#">31</a>	8.5	Related Links .....	<a href="#">119</a>
5.10	Typical Characteristics - Current Consumption Per Module .....	<a href="#">32</a>	8.6	Trademarks .....	<a href="#">120</a>
5.11	Thermal Resistance Characteristics .....	<a href="#">32</a>	8.7	Electrostatic Discharge Caution .....	<a href="#">120</a>
5.12	Timing and Switching Characteristics .....	<a href="#">33</a>	8.8	Glossary .....	<a href="#">120</a>
			<b>9</b>	<b>Mechanical, Packaging, and Orderable Information</b> .....	<b><a href="#">121</a></b>

## 2 Revision History

Changes from revision C to revision D

Changes from March 6, 2019 to December 10, 2019	Page
<ul style="list-style-type: none"> <li>Corrected the ROM size in <a href="#">Figure 1-1 MSP430FR235x Functional Block Diagram</a> and <a href="#">Figure 1-2 MSP430FR215x Functional Block Diagram</a>.....</li> </ul>	<a href="#">4</a>
<ul style="list-style-type: none"> <li>Added a note on all VQFN pinouts to indicate that the thermal pad should be connected to VSS .....</li> </ul>	<a href="#">11</a>
<ul style="list-style-type: none"> <li>Corrected <a href="#">Figure 4-4, 32-Pin RSM (VQFN) (Top View) – MSP430FR235x</a>.....</li> </ul>	<a href="#">13</a>
<ul style="list-style-type: none"> <li>Changed the note that begins "Supply voltage changes faster than 0.2 V/μs can trigger a BOR reset..." in <a href="#">Section 5.3, Recommended Operating Conditions</a> .....</li> </ul>	<a href="#">27</a>
<ul style="list-style-type: none"> <li>Added the note that begins "TI recommends that power to the DVCC pin must not exceed the limits..." in <a href="#">Section 5.3, Recommended Operating Conditions</a> .....</li> </ul>	<a href="#">27</a>
<ul style="list-style-type: none"> <li>Changed the note that begins "A capacitor tolerance of ±20% or better is required..." in <a href="#">Section 5.3, Recommended Operating Conditions</a> .....</li> </ul>	<a href="#">27</a>
<ul style="list-style-type: none"> <li>Combined former sections 5.8 and 5.10 into <a href="#">Section 5.9, Production Distribution of LPM Supply Currents</a> .....</li> </ul>	<a href="#">31</a>
<ul style="list-style-type: none"> <li>Corrected the "SVS disabled" condition for <a href="#">Figure 5-1</a> .....</li> </ul>	<a href="#">31</a>
<ul style="list-style-type: none"> <li>Added the note "See <a href="#">MSP430 32-kHz Crystal Oscillators</a> for details on crystal section, layout, and testing" to <a href="#">Table 5-3, XT1 Crystal Oscillator (Low Frequency)</a> .....</li> </ul>	<a href="#">35</a>
<ul style="list-style-type: none"> <li>Changed the note that begins "Requires external capacitors at both terminals..." in <a href="#">Table 5-3, XT1 Crystal Oscillator (Low Frequency)</a> .....</li> </ul>	<a href="#">35</a>
<ul style="list-style-type: none"> <li>Added the <math>t_{TB, cap}</math> parameter in <a href="#">Table 5-13, Timer_B</a>.....</li> </ul>	<a href="#">45</a>
<ul style="list-style-type: none"> <li>Corrected the test conditions for the <math>R_I</math> parameter in <a href="#">Table 5-20, ADC, Power Supply and Input Range Conditions</a>.....</li> </ul>	<a href="#">51</a>
<ul style="list-style-type: none"> <li>Removed ADCDIV from the equation for the ADC conversion time because ADCCLK is after division in <a href="#">Table 5-21, ADC, Timing Parameters</a> .....</li> </ul>	<a href="#">51</a>
<ul style="list-style-type: none"> <li>Added the note that begins "<math>t_{sample} = \ln(2^{n+1}) \times \tau</math> ..." in <a href="#">Table 5-21, ADC, Timing Parameters</a> .....</li> </ul>	<a href="#">51</a>
<ul style="list-style-type: none"> <li>Changed the unit from "nV" to "μV" for the "Input noise voltage" in the <a href="#">Table 5-25, SAC, OA</a> .....</li> </ul>	<a href="#">55</a>
<ul style="list-style-type: none"> <li>Changed the unit from "nV/Hz" to "nV/√Hz" for the "Input noise voltage density" in the <a href="#">Table 5-25, SAC, OA</a> .....</li> </ul>	<a href="#">55</a>
<ul style="list-style-type: none"> <li>Removed the <math>I_{ref}</math> trim parameter from <a href="#">Table 5-27, FRAM</a> .....</li> </ul>	<a href="#">57</a>
<ul style="list-style-type: none"> <li>Changed the bitfield name from RTCCLK to RTCKSEL in the table note on <a href="#">Table 6-9, Clock Distribution</a> .....</li> </ul>	<a href="#">68</a>
<ul style="list-style-type: none"> <li>Added <a href="#">Section 6.10.17, Cross-Chip Interconnection (SACx are MSP430FR235x Devices Only)</a> .....</li> </ul>	<a href="#">83</a>
<ul style="list-style-type: none"> <li>Added P1SELC information in <a href="#">Table 6-41, Port P1, P2 Registers (Base Address: 0200h)</a> .....</li> </ul>	<a href="#">86</a>
<ul style="list-style-type: none"> <li>Added P2SELC information in <a href="#">Table 6-41, Port P1, P2 Registers (Base Address: 0200h)</a> .....</li> </ul>	<a href="#">86</a>
<ul style="list-style-type: none"> <li>Added P3SELC information in <a href="#">Table 6-42, Port P3, P4 Registers (Base Address: 0220h)</a> .....</li> </ul>	<a href="#">87</a>
<ul style="list-style-type: none"> <li>Added P4SELC information in <a href="#">Table 6-42, Port P3, P4 Registers (Base Address: 0220h)</a> .....</li> </ul>	<a href="#">87</a>
<ul style="list-style-type: none"> <li>Added P5SELC information in <a href="#">Table 6-43, Port P5, P6 Registers (Base Address: 0240h)</a> .....</li> </ul>	<a href="#">87</a>
<ul style="list-style-type: none"> <li>Added P6SELC information in <a href="#">Table 6-43, Port P5, P6 Registers (Base Address: 0240h)</a> .....</li> </ul>	<a href="#">87</a>
<ul style="list-style-type: none"> <li>Changed CRC covered end address to 0x1AF7 in table note (1) in <a href="#">Table 6-70, Device Descriptors</a> .....</li> </ul>	<a href="#">107</a>

Changes from revision B to revision C

Changes from July 3, 2018 to March 5, 2019	Page
<ul style="list-style-type: none"> <li>Added 32-pin VQFN (RSM) package information in <a href="#">Section 1.1, Features</a>.....</li> </ul>	<a href="#">2</a>
<ul style="list-style-type: none"> <li>Added 32-pin VQFN (RSM) package information to the Device Information table in <a href="#">Section 1.3, Description</a> .....</li> </ul>	<a href="#">3</a>
<ul style="list-style-type: none"> <li>Added 32-pin VQFN (RSM) package information in <a href="#">Table 3-1, Device Comparison</a> .....</li> </ul>	<a href="#">8</a>
<ul style="list-style-type: none"> <li>Added <a href="#">Figure 4-4, 32-Pin RSM (VQFN) (Top View) – MSP430FR235x</a>.....</li> </ul>	<a href="#">13</a>
<ul style="list-style-type: none"> <li>Added <a href="#">Figure 4-8, 32-Pin RSM (VQFN) (Top View) – MSP430FR215x</a>.....</li> </ul>	<a href="#">17</a>
<ul style="list-style-type: none"> <li>Added 32-pin VQFN (RSM) package information in <a href="#">Section 4.2, Pin Attributes</a>.....</li> </ul>	<a href="#">18</a>
<ul style="list-style-type: none"> <li>Added 32-pin VQFN (RSM) package information in <a href="#">Section 4.3, Signal Descriptions</a>.....</li> </ul>	<a href="#">22</a>
<ul style="list-style-type: none"> <li>Added 32-pin VQFN (RSM) package information in <a href="#">Section 5.11, Thermal Resistance Characteristics</a> .....</li> </ul>	<a href="#">32</a>
<ul style="list-style-type: none"> <li>Added the <math>t_{TB, cap}</math> parameter in <a href="#">Table 5-13, Timer_B</a>.....</li> </ul>	<a href="#">45</a>
<ul style="list-style-type: none"> <li>Removed the <math>I_{ref}</math> trim parameter from <a href="#">Table 5-27, FRAM</a> .....</li> </ul>	<a href="#">57</a>

## Changes from revision A to revision B

<b>Changes from June 20, 2018 to July 2, 2018</b>	<b>Page</b>
• Added the $t_{TB, cap}$ parameter in <a href="#">Table 5-13, Timer_B</a> .....	<a href="#">45</a>
• Removed the $I_{ref}$ trim parameter from <a href="#">Table 5-27, FRAM</a> .....	<a href="#">57</a>
• Updated <a href="#">Section 8.3, Tools and Software</a> .....	<a href="#">116</a>
• Added errata in <a href="#">Section 8.4, Documentation Support</a> .....	<a href="#">118</a>

## Changes from initial release to revision A

<b>Changes from May 11, 2018 to June 19, 2018</b>	<b>Page</b>
• Changed the document status to PRODUCTION DATA .....	<a href="#">1</a>
• Added missing UCB0SCL signal to P1.3/UCB0SOMI/UCB0SCL/OA0+/A3 in pinout figures.....	<a href="#">11</a>
• Added the $t_{TB, cap}$ parameter in <a href="#">Table 5-13, Timer_B</a> .....	<a href="#">45</a>
• Removed the $I_{ref}$ trim parameter from <a href="#">Table 5-27, FRAM</a> .....	<a href="#">57</a>
• Added row for "Driver library and FFT library" in <a href="#">Table 6-4, Memory Organization</a> .....	<a href="#">65</a>
• Added <a href="#">Section 7.3, ROM Libraries</a> .....	<a href="#">114</a>
• Corrected the title and link to reference design in <a href="#">Table 7-1, Tools and Reference Designs</a> .....	<a href="#">114</a>



### 3 Device Comparison

Table 3-1 summarizes the features of the available family members.

**Table 3-1. Device Comparison<sup>(1)</sup> (2)**

DEVICE	PROGRAM FRAM	SRAM (bytes)	TB0, TB1, TB2	TB3	eUSCI_A	eUSCI_B	12-BIT ADC CHANNELS	SAC	eCOMP	I/Os	PACKAGE
MSP430FR2355PT	32KB + 512B	4096	3 × CCR <sup>(3)</sup>	7 × CCR <sup>(3)</sup>	2	2	12	4	2	44	48 PT (LQFP)
MSP430FR2353PT	16KB + 512B	2048	3 × CCR <sup>(3)</sup>	7 × CCR <sup>(3)</sup>	2	2	12	4	2	44	48 PT (LQFP)
MSP430FR2355RHA	32KB + 512B	4096	3 × CCR <sup>(3)</sup>	7 × CCR <sup>(3)</sup>	2	2	10	4	2	36	40 RHA (VQFN)
MSP430FR2353RHA	16KB + 512B	2048	3 × CCR <sup>(3)</sup>	7 × CCR <sup>(3)</sup>	2	2	10	4	2	36	40 RHA (VQFN)
MSP430FR2355DBT	32KB + 512B	4096	3 × CCR <sup>(3)</sup>	7 × CCR <sup>(3)</sup>	2	2	10	4	2	34	38 DBT (TSSOP)
MSP430FR2353DBT	16KB + 512B	2048	3 × CCR <sup>(3)</sup>	7 × CCR <sup>(3)</sup>	2	2	10	4	2	34	38 DBT (TSSOP)
MSP430FR2355RSM	32KB + 512B	4096	3 × CCR <sup>(3)</sup>	7 × CCR <sup>(3)</sup>	2	2 <sup>(4)</sup>	8	4	2	28	32 RSM (VQFN)
MSP430FR2353RSM	16KB + 512B	2048	3 × CCR <sup>(3)</sup>	7 × CCR <sup>(3)</sup>	2	2 <sup>(4)</sup>	8	4	2	28	32 RSM (VQFN)
MSP430FR2155PT	32KB + 512B	4096	3 × CCR <sup>(3)</sup>	7 × CCR <sup>(3)</sup>	2	2	12	–	2	44	48 PT (LQFP)
MSP430FR2153PT	16KB + 512B	2048	3 × CCR <sup>(3)</sup>	7 × CCR <sup>(3)</sup>	2	2	12	–	2	44	48 PT (LQFP)
MSP430FR2155RHA	32KB + 512B	4096	3 × CCR <sup>(3)</sup>	7 × CCR <sup>(3)</sup>	2	2	10	–	2	36	40 RHA (VQFN)
MSP430FR2153RHA	16KB + 512B	2048	3 × CCR <sup>(3)</sup>	7 × CCR <sup>(3)</sup>	2	2	10	–	2	36	40 RHA (VQFN)
MSP430FR2155DBT	32KB + 512B	4096	3 × CCR <sup>(3)</sup>	7 × CCR <sup>(3)</sup>	2	2	10	–	2	34	38 DBT (TSSOP)
MSP430FR2153DBT	16KB + 512B	2048	3 × CCR <sup>(3)</sup>	7 × CCR <sup>(3)</sup>	2	2	10	–	2	34	38 DBT (TSSOP)
MSP430FR2155RSM	32KB + 512B	4096	3 × CCR <sup>(3)</sup>	7 × CCR <sup>(3)</sup>	2	2 <sup>(4)</sup>	8	–	2	28	32 RSM (VQFN)
MSP430FR2153RSM	16KB + 512B	2048	3 × CCR <sup>(3)</sup>	7 × CCR <sup>(3)</sup>	2	2 <sup>(4)</sup>	8	–	2	28	32 RSM (VQFN)

- (1) For the most current device, package, and ordering information, see the *Package Option Addendum* in [Section 9](#), or see the TI web site at [www.ti.com](http://www.ti.com).
- (2) Package drawings, standard packing quantities, thermal data, symbolization, and PCB design guidelines are available at [www.ti.com/packaging](http://www.ti.com/packaging).
- (3) A CCR register is a configurable register that provides internal and external capture or compare inputs, or internal and external PWM outputs. Not all CCR channels are package specific. See the definition in [Section 4.3](#).
- (4) eUSCI\_B1 supports only I<sup>2</sup>C function.



### 3.1 Related Products

For information about other devices in this family of products or related products, see the following links.

[TI 16-bit and 32-bit microcontrollers](#)

High-performance, low-power solutions to enable the autonomous future

[Products for MSP430 ultra-low-power sensing & measurement microcontrollers](#)

One platform. One ecosystem. Endless possibilities.

[Companion products for MSP430FR2355](#)

Review products that are frequently purchased or used with this product.

[Reference designs for MSP430FR2355](#)

Find reference designs leveraging the best in TI technology to solve your system-level challenges.

## 4 Terminal Configuration and Functions

### 4.1 Pin Diagrams

Figure 4-1 shows the pinout of the 48-pin PT package for the MSP430FR235x MCUs.

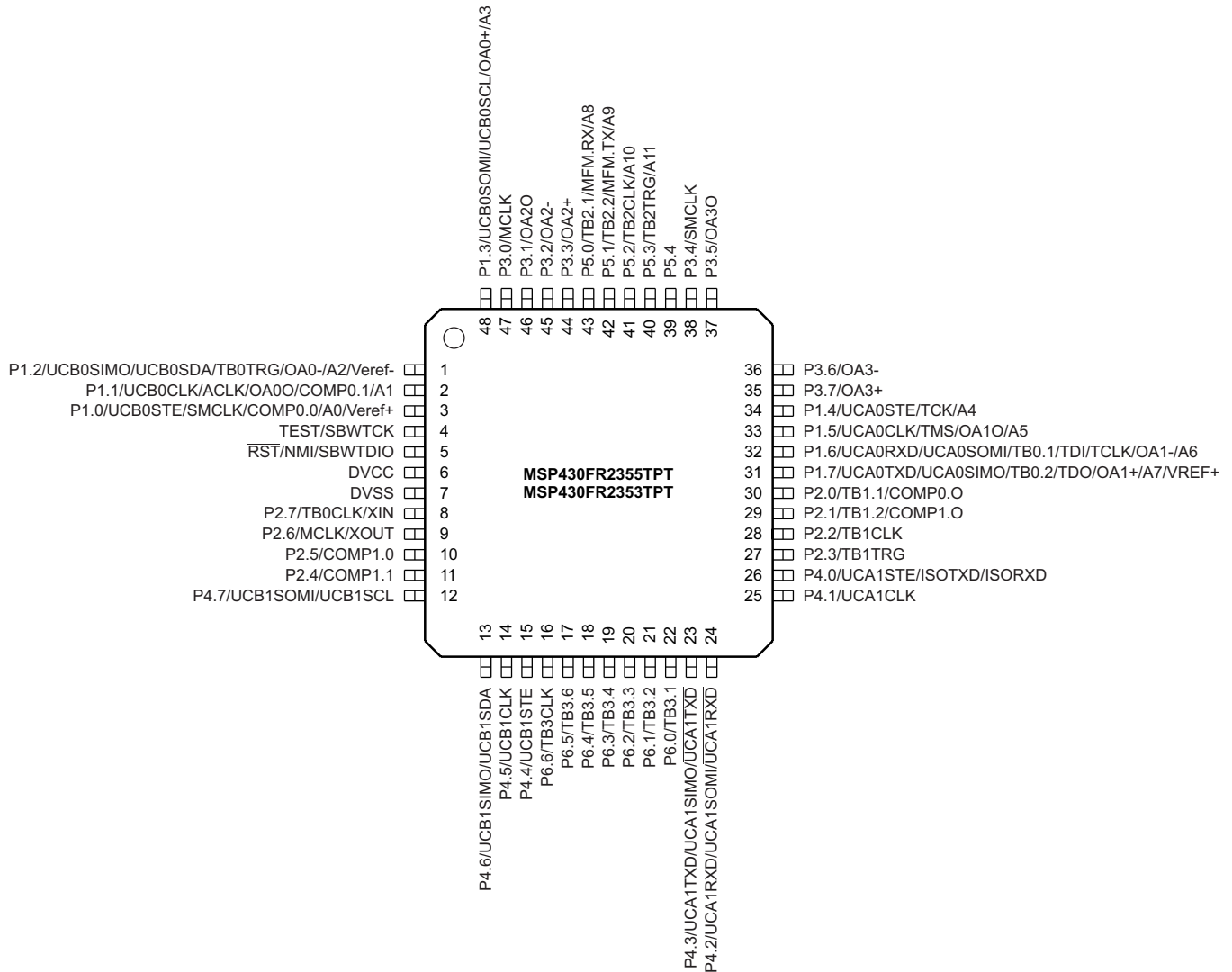
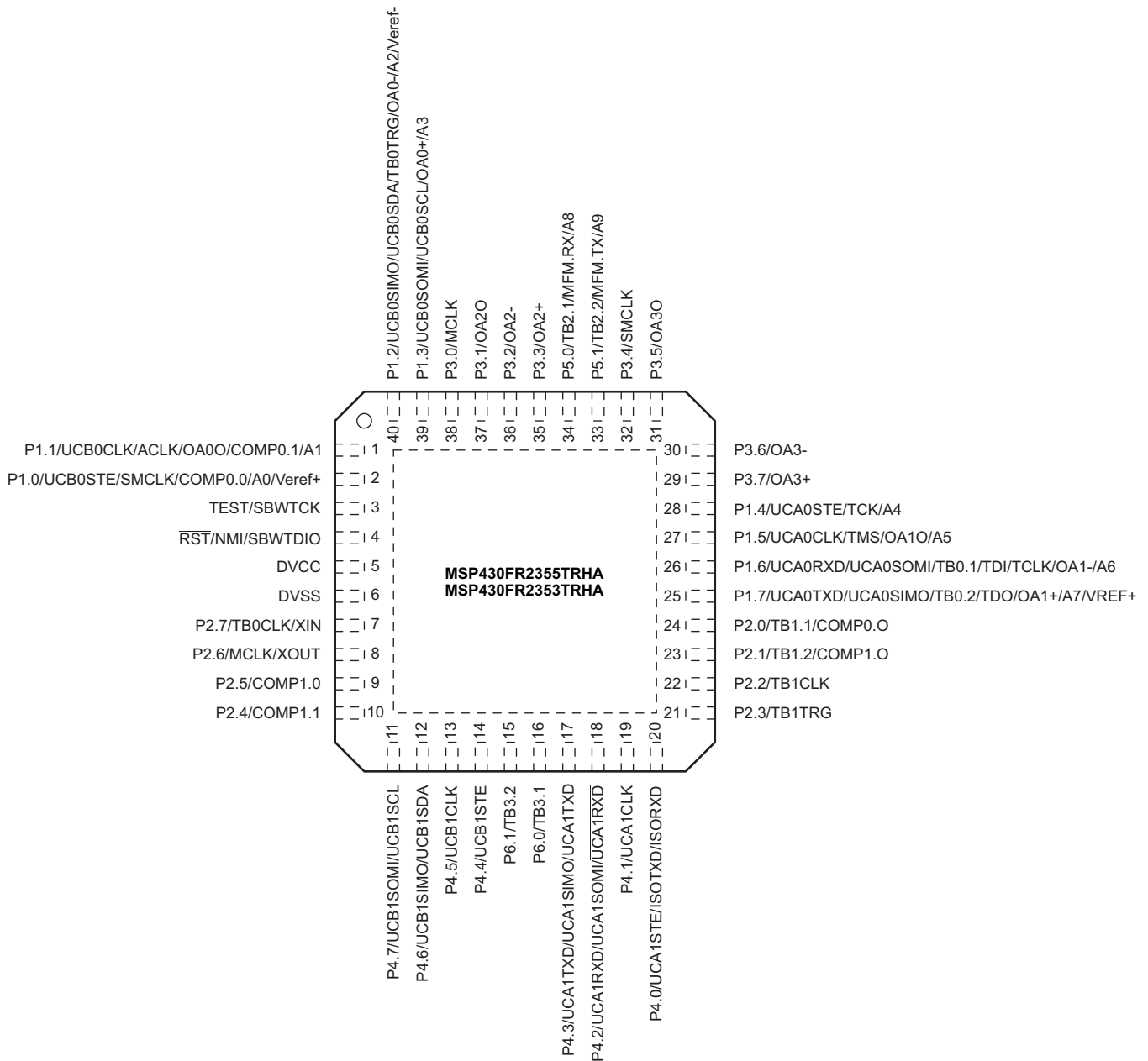


Figure 4-1. 48-Pin PT (LQFP) (Top View) – MSP430FR235x

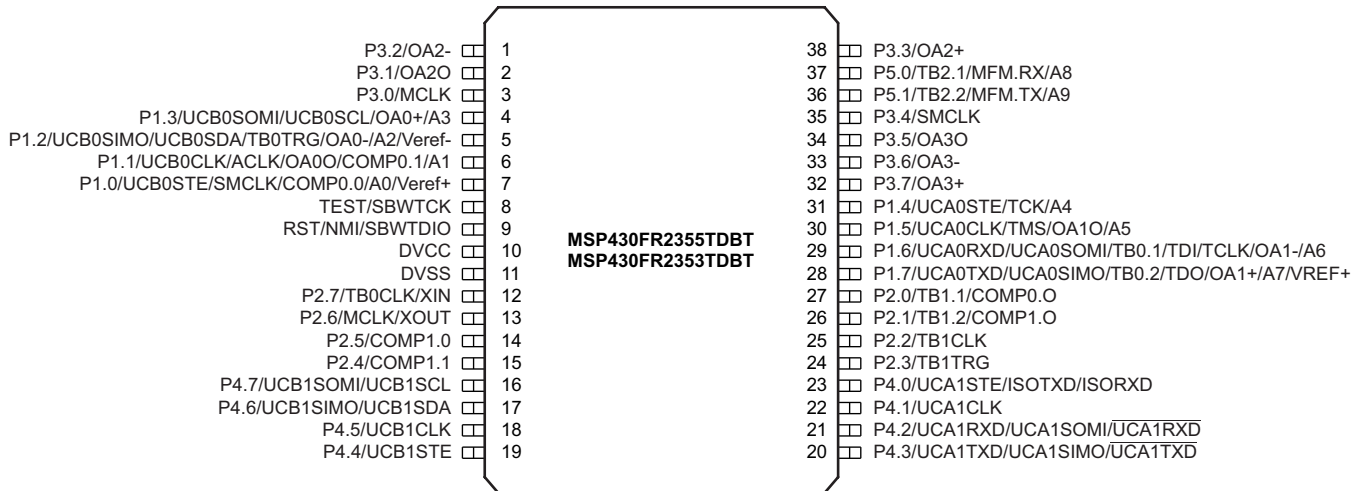
Figure 4-2 shows the pinout of the 40-pin RHA package for the MSP430FR235x MCUs.



NOTE: Connect the exposed thermal pad to VSS.

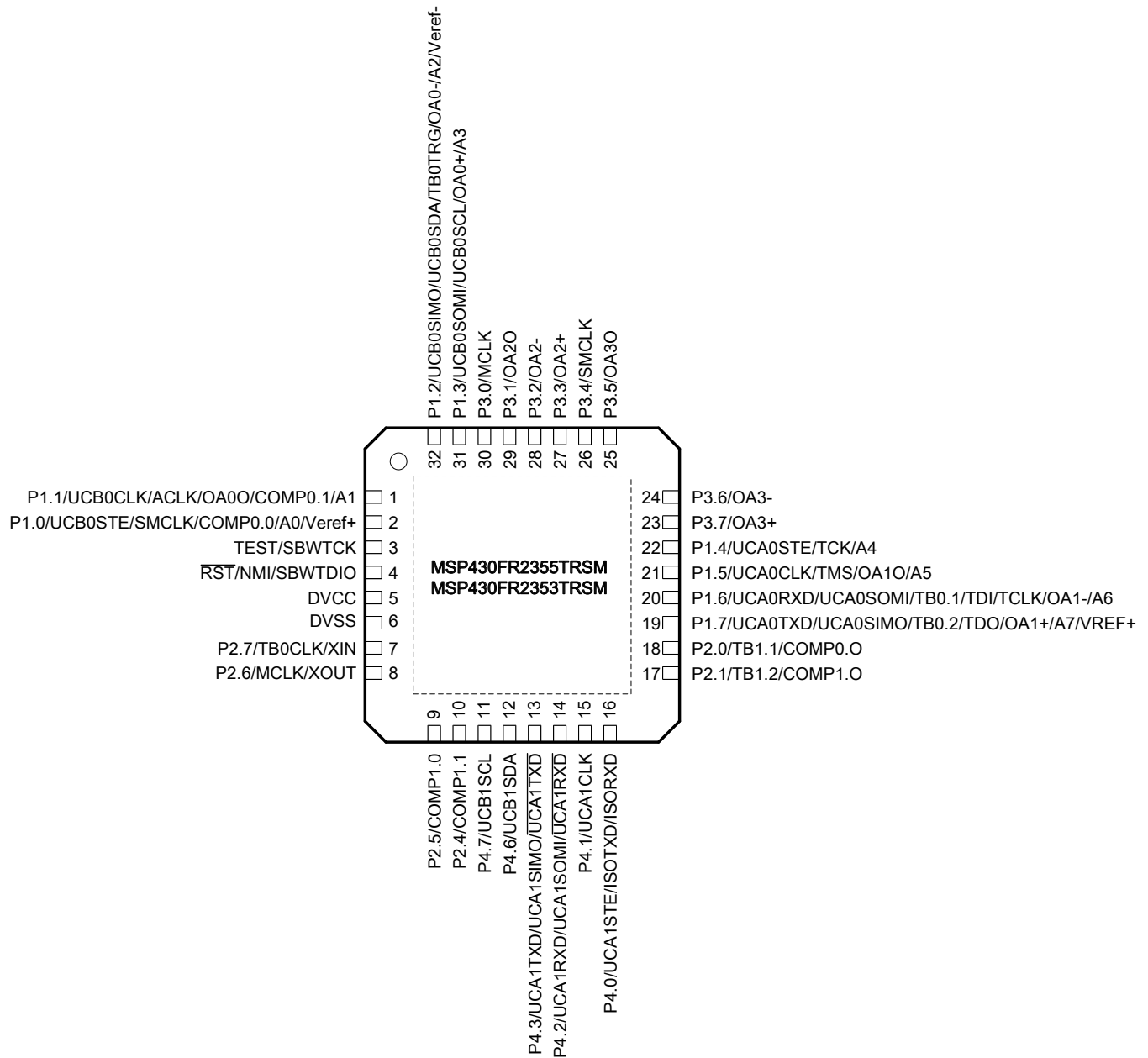
**Figure 4-2. 40-Pin RHA (VQFN) (Top View) – MSP430FR235x**

Figure 4-3 shows the pinout of the 38-pin DBT package for the MSP430FR235x MCUs.



**Figure 4-3. 38-Pin DBT (TSSOP) (Top View) – MSP430FR235x**

Figure 4-4 shows the pinout of the 32-pin RSM package for the MSP430FR235x MCUs.



NOTE: Connect the exposed thermal pad to VSS.

Figure 4-4. 32-Pin RSM (VQFN) (Top View) – MSP430FR235x

Figure 4-5 shows the pinout of the 48-pin PT package for the MSP430FR215x MCUs.

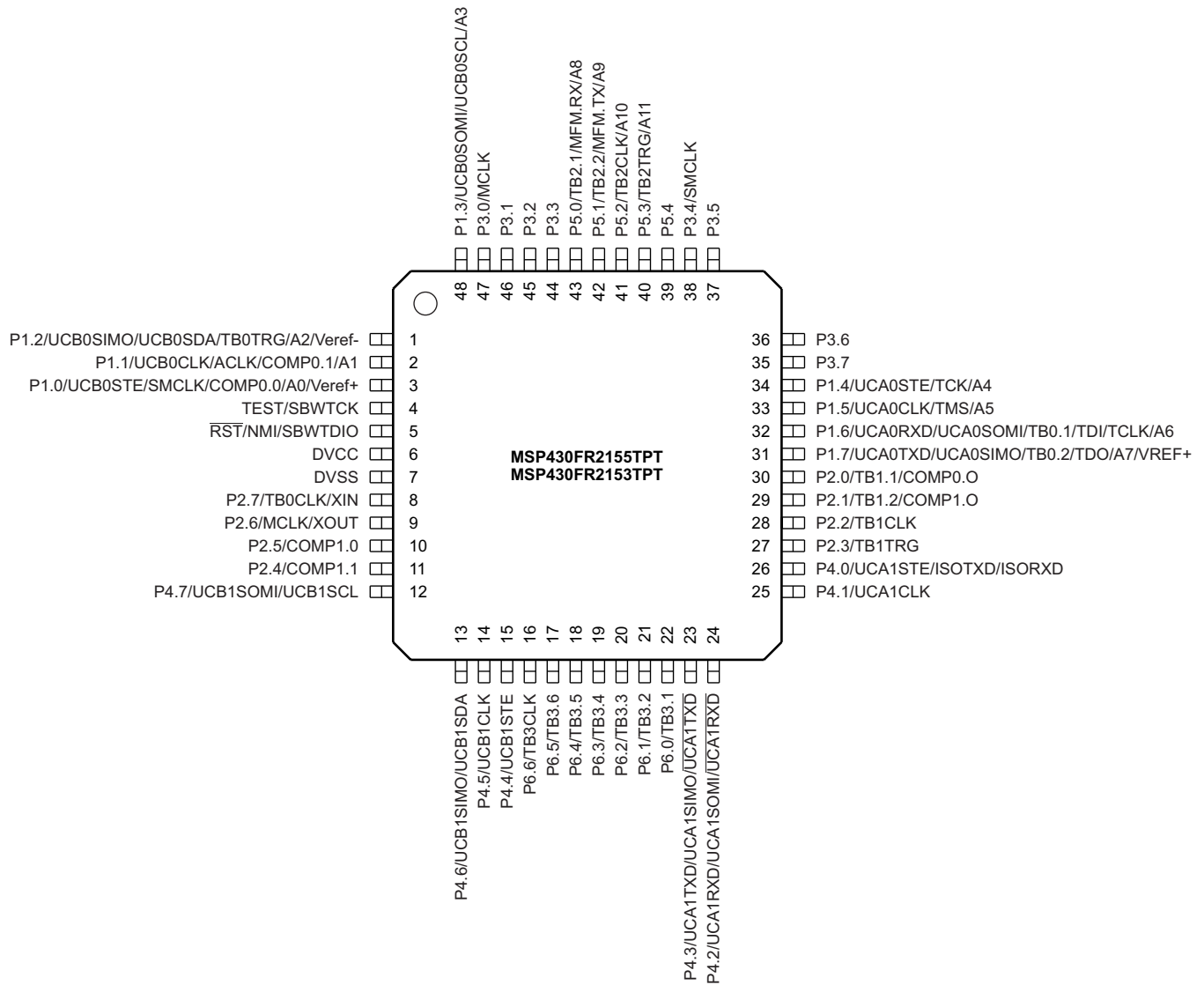
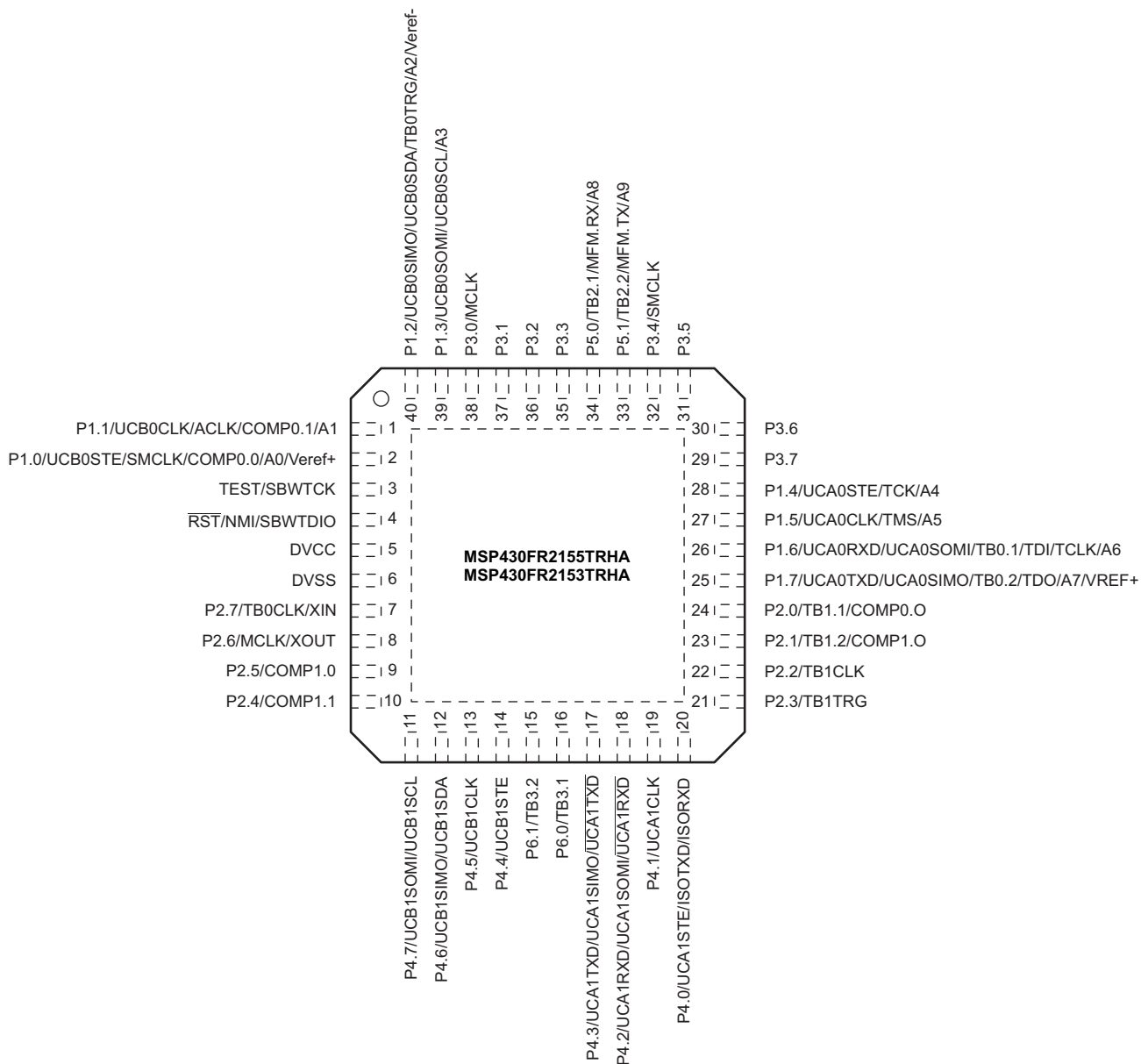


Figure 4-5. 48-Pin PT (LQFP) (Top View) – MSP430FR215x

Figure 4-6 shows the pinout of the 40-pin RHA package for the MSP430FR215x MCUs.



NOTE: Connect the exposed thermal pad to VSS.

Figure 4-6. 40-Pin RHA (VQFN) (Top View) – MSP430FR215x



Figure 4-7 shows the pinout of the 38-pin DBT package for the MSP430FR215x MCUs.

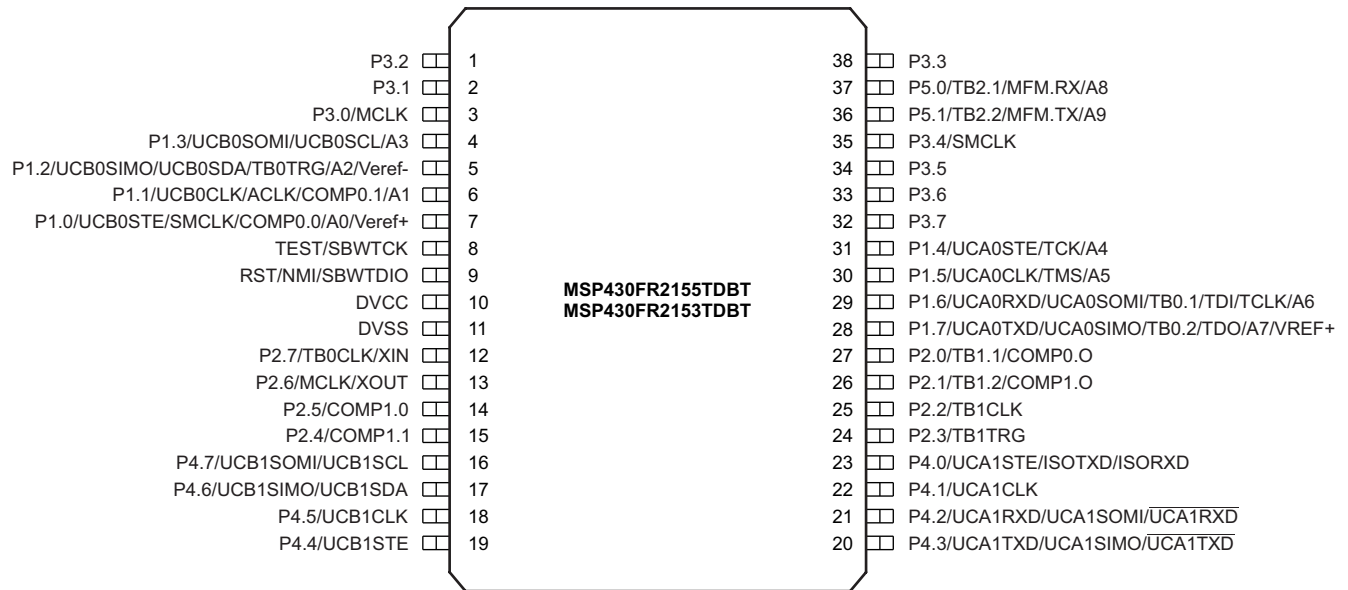
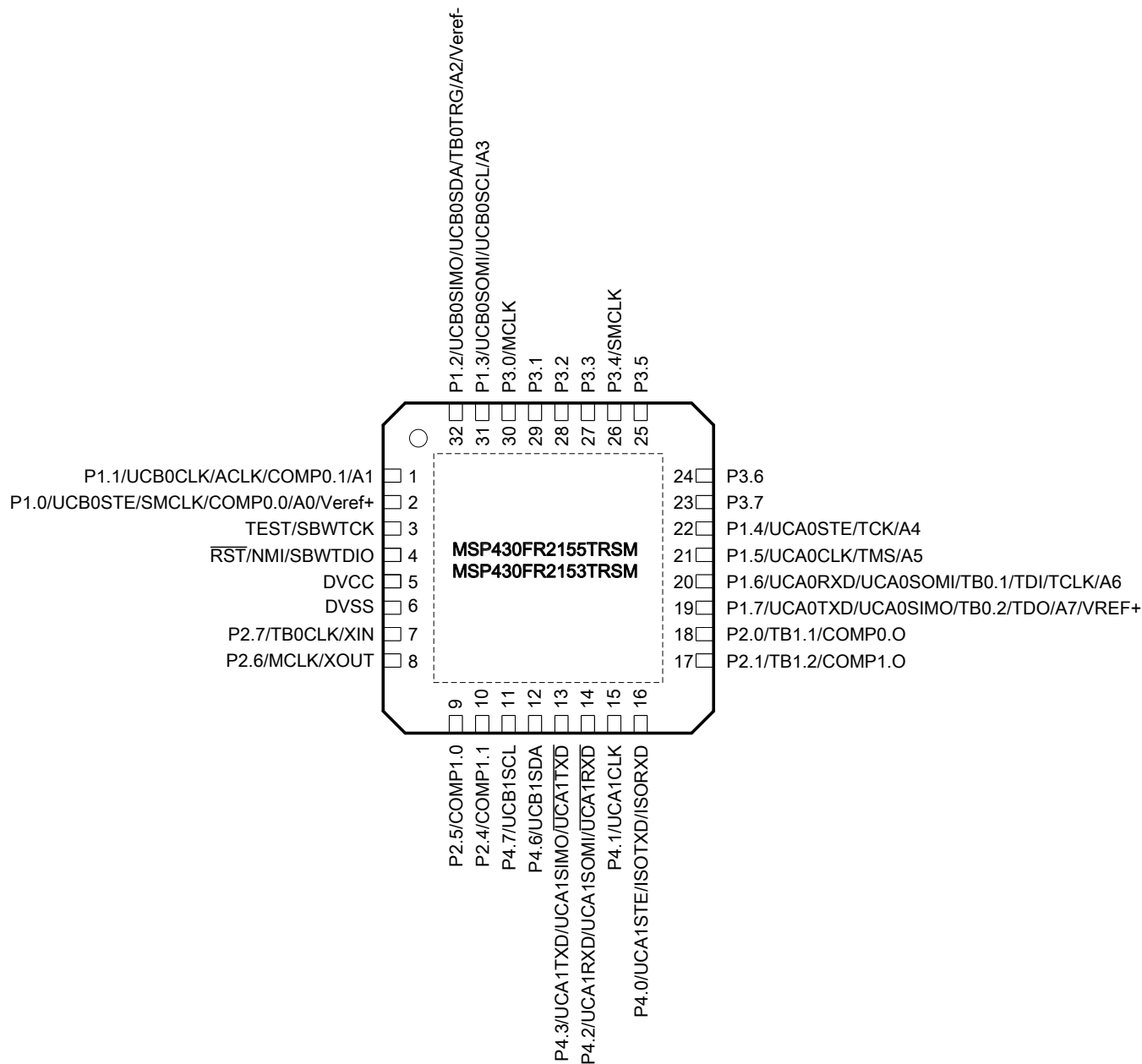


Figure 4-7. 38-Pin DBT (TSSOP) (Top View) – MSP430FR215x

Figure 4-8 shows the pinout of the 32-pin RSM package for the MSP430FR215x MCUs.



NOTE: Connect the exposed thermal pad to VSS.

Figure 4-8. 32-Pin RSM (VQFN) (Top View) – MSP430FR215x

## 4.2 Pin Attributes

Table 4-1 lists the attributes of all pins.

**Table 4-1. Pin Attributes**

PIN NUMBER				SIGNAL NAME <sup>(1) (2)</sup>	SIGNAL TYPE <sup>(3)</sup>	BUFFER TYPE <sup>(4)</sup>	POWER SOURCE	RESET STATE AFTER BOR <sup>(5)</sup>
PT	RHA	DBT	RSM					
1	40	5	32	P1.2 (RD)	I/O	LVC MOS	DVCC	OFF
				UCB0SIMO	I/O	LVC MOS	DVCC	–
				UCB0SDA	I/O	LVC MOS	DVCC	–
				TB0TRG	I	LVC MOS	DVCC	–
				OA0- <sup>(6)</sup>	I	Analog	DVCC	–
				A2	I	Analog	DVCC	–
				Veref-	I	Analog	DVCC	–
2	1	6	1	P1.1 (RD)	I/O	LVC MOS	DVCC	OFF
				UCB0CLK	I/O	LVC MOS	DVCC	–
				ACLK	O	LVC MOS	DVCC	–
				OA0O <sup>(6)</sup>	O	Analog	DVCC	–
				COMP0_1	I	Analog	DVCC	–
				A1	I	Analog	DVCC	–
3	2	7	2	P1.0 (RD)	I/O	LVC MOS	DVCC	OFF
				UCB0STE	I/O	LVC MOS	DVCC	–
				SMCLK	O	LVC MOS	DVCC	–
				COMP0_0	I	Analog	DVCC	–
				A0	I	Analog	DVCC	–
				Veref+	I	Analog	DVCC	–
4	3	8	3	TEST (RD)	I	LVC MOS	DVCC	OFF
				SBWTCK	I	LVC MOS	DVCC	–
5	4	9	4	$\overline{\text{RST}}$ (RD)	I/O	LVC MOS	DVCC	OFF
				NMI	I	LVC MOS	DVCC	–
				SBWTDIO	I/O	LVC MOS	DVCC	–
6	5	10	5	DVCC	P	Power	DVCC	N/A
7	6	11	6	DVSS	P	Power	DVCC	N/A
8	7	12	7	P2.7 (RD)	I/O	LVC MOS	DVCC	OFF
				TB0CLK	I	LVC MOS	DVCC	–
				XIN	I	LVC MOS	DVCC	–
9	8	13	8	P2.6 (RD)	I/O	LVC MOS	DVCC	OFF
				MCLK	O	LVC MOS	DVCC	–
				XOUT	O	LVC MOS	DVCC	–
10	9	14	9	P2.5 (RD)	I/O	LVC MOS	DVCC	OFF
				COMP1.0	I	Analog	DVCC	–
11	10	15	10	P2.4 (RD)	I/O	LVC MOS	DVCC	OFF
				COMP1.1	I	Analog	DVCC	–

(1) Signals names with (RD) denote the reset default pin name.

(2) To determine the pin mux encodings for each pin, see [Section 6.11](#).

(3) Signal types: I = input, O = output, I/O = input or output

(4) Buffer types: LVC MOS, analog, or power

(5) Reset states:

OFF = High-impedance input with pullup or pulldown disabled (if available)

N/A = Not applicable

(6) MSP430FR235x devices only

**Table 4-1. Pin Attributes (continued)**

PIN NUMBER				SIGNAL NAME <sup>(1) (2)</sup>	SIGNAL TYPE <sup>(3)</sup>	BUFFER TYPE <sup>(4)</sup>	POWER SOURCE	RESET STATE AFTER BOR <sup>(5)</sup>
PT	RHA	DBT	RSM					
12	11	16	11	P4.7 (RD)	I/O	LVC MOS	DVCC	OFF
				UCB1SOMI <sup>(7)</sup>	I/O	LVC MOS	DVCC	–
				UCB1SCL	I/O	LVC MOS	DVCC	–
13	12	17	12	P4.6 (RD)	I/O	LVC MOS	DVCC	OFF
				UCB1SIMO <sup>(7)</sup>	I/O	LVC MOS	DVCC	–
				UCB1SDA	I/O	LVC MOS	DVCC	–
14	13	18	–	P4.5 (RD)	I/O	LVC MOS	DVCC	OFF
				UCB1CLK	I/O	LVC MOS	DVCC	–
15	14	19	–	P4.4 (RD)	I/O	LVC MOS	DVCC	OFF
				UCB1STE	I/O	LVC MOS	DVCC	–
16	–	–	–	P6.6 (RD)	I/O	LVC MOS	DVCC	OFF
				TB3CLK	I	LVC MOS	DVCC	–
17	–	–	–	P6.5 (RD)	I/O	LVC MOS	DVCC	OFF
				TB3.6	I/O	LVC MOS	DVCC	–
18	–	–	–	P6.4 (RD)	I/O	LVC MOS	DVCC	OFF
				TB3.5	I/O	LVC MOS	DVCC	–
19	–	–	–	P6.3 (RD)	I/O	LVC MOS	DVCC	OFF
				TB3.4	I/O	LVC MOS	DVCC	–
20	–	–	–	P6.2 (RD)	I/O	LVC MOS	DVCC	OFF
				TB3.3	I/O	LVC MOS	DVCC	–
21	15	–	–	P6.1 (RD)	I/O	LVC MOS	DVCC	OFF
				TB3.2	I/O	LVC MOS	DVCC	–
22	16	–	–	P6.0 (RD)	I/O	LVC MOS	DVCC	OFF
				TB3.1	I/O	LVC MOS	DVCC	–
23	17	20	13	P4.3 (RD)	I/O	LVC MOS	DVCC	OFF
				UCA1TXD	O	LVC MOS	DVCC	–
				UCA1SIMO	I/O	LVC MOS	DVCC	–
				UCA1TXD	O	LVC MOS	DVCC	–
24	18	21	14	P4.2 (RD)	I/O	LVC MOS	DVCC	OFF
				UCA1RXD	I	LVC MOS	DVCC	–
				UCA1SOMI	I/O	LVC MOS	DVCC	–
				UCA1RXD	I	LVC MOS	DVCC	–
25	19	22	15	P4.1 (RD)	I/O	LVC MOS	DVCC	OFF
				UCA1CLK	I/O	LVC MOS	DVCC	–
26	20	23	16	P4.0 (RD)	I/O	LVC MOS	DVCC	OFF
				UCA1STE	I/O	LVC MOS	DVCC	–
				ISOTXD	O	LVC MOS	DVCC	–
				ISORXD	I	LVC MOS	DVCC	–
27	21	24	–	P2.3 (RD)	I/O	LVC MOS	DVCC	OFF
				TB1TRG	I	LVC MOS	DVCC	–
28	22	25	–	P2.2 (RD)	I/O	LVC MOS	DVCC	OFF
				TB1CLK	I	LVC MOS	DVCC	–
29	23	26	17	P2.1 (RD)	I/O	LVC MOS	DVCC	OFF
				TB1.2	I/O	LVC MOS	DVCC	–
				COMP1.O	O	LVC MOS	DVCC	–

(7) Not applicable in RSM package.

Table 4-1. Pin Attributes (continued)

PIN NUMBER				SIGNAL NAME <sup>(1) (2)</sup>	SIGNAL TYPE <sup>(3)</sup>	BUFFER TYPE <sup>(4)</sup>	POWER SOURCE	RESET STATE AFTER BOR <sup>(5)</sup>
PT	RHA	DBT	RSM					
30	24	27	18	P2.0 (RD)	I/O	LVC MOS	DVCC	OFF
				TB1.1	I/O	LVC MOS	DVCC	–
				COMP0.O	O	LVC MOS	DVCC	–
31	25	28	19	P1.7 (RD)	I/O	LVC MOS	DVCC	OFF
				UCA0TXD	O	LVC MOS	DVCC	–
				UCA0SIMO	I/O	LVC MOS	DVCC	–
				TB0.2	I/O	LVC MOS	DVCC	–
				TDO	O	LVC MOS	DVCC	–
				OA1+ <sup>(6)</sup>	I	Analog	DVCC	–
				A7	I	Analog	DVCC	–
				VREF+	O	Analog	DVCC	–
32	26	29	20	P1.6 (RD)	I/O	LVC MOS	DVCC	OFF
				UCA0RXD	I	LVC MOS	DVCC	–
				UCA0SOMI	I/O	LVC MOS	DVCC	–
				TB0.1	I/O	LVC MOS	DVCC	–
				TDI	I	LVC MOS	DVCC	–
				TCLK	I	LVC MOS	DVCC	–
				OA1- <sup>(6)</sup>	I	Analog	DVCC	–
				A6	I	Analog	DVCC	–
33	27	30	21	P1.5 (RD)	I/O	LVC MOS	DVCC	OFF
				UCA0CLK	I/O	LVC MOS	DVCC	–
				TMS	I	LVC MOS	DVCC	–
				OA1O <sup>(6)</sup>	O	Analog	DVCC	–
				A5	I	Analog	DVCC	–
34	28	31	22	P1.4 (RD)	I/O	LVC MOS	DVCC	OFF
				UCA0STE	I/O	LVC MOS	DVCC	–
				TCK	I	LVC MOS	DVCC	–
				A4	I	Analog	DVCC	–
35	29	32	23	P3.7 (RD)	I/O	LVC MOS	DVCC	OFF
				OA3+ <sup>(6)</sup>	I	Analog	DVCC	–
36	30	33	24	P3.6 (RD)	I/O	LVC MOS	DVCC	OFF
				OA3- <sup>(6)</sup>	I	Analog	DVCC	–
37	31	34	25	P3.5 (RD)	I/O	LVC MOS	DVCC	OFF
				OA3O <sup>(6)</sup>	O	Analog	DVCC	–
38	32	35	26	P3.4 (RD)	I/O	LVC MOS	DVCC	OFF
				SMCLK	O	LVC MOS	DVCC	–
39	–	–	–	P5.4 (RD)	I/O	LVC MOS	DVCC	OFF
40	–	–	–	P5.3 (RD)	I/O	LVC MOS	DVCC	OFF
				TB2TRG	I	LVC MOS	DVCC	–
				A11	I	Analog	DVCC	–
41	–	–	–	P5.2 (RD)	I/O	LVC MOS	DVCC	OFF
				TB2CLK	I	LVC MOS	DVCC	–
				A10	I	Analog	DVCC	–

**Table 4-1. Pin Attributes (continued)**

PIN NUMBER				SIGNAL NAME <sup>(1) (2)</sup>	SIGNAL TYPE <sup>(3)</sup>	BUFFER TYPE <sup>(4)</sup>	POWER SOURCE	RESET STATE AFTER BOR <sup>(5)</sup>
PT	RHA	DBT	RSM					
42	33	36	–	P5.1 (RD)	I/O	LVC MOS	DVCC	OFF
				TB2.2	I/O	LVC MOS	DVCC	–
				MFM.TX	O	LVC MOS	DVCC	–
				A9	I	Analog	DVCC	–
43	34	37	–	P5.0 (RD)	I/O	LVC MOS	DVCC	OFF
				TB2.1	I/O	LVC MOS	DVCC	–
				MFM.RX	I	LVC MOS	DVCC	–
				A8	I	Analog	DVCC	–
44	35	38	27	P3.3 (RD)	I/O	LVC MOS	DVCC	OFF
				OA2+ <sup>(6)</sup>	I	Analog	DVCC	–
45	36	1	28	P3.2 (RD)	I/O	LVC MOS	DVCC	OFF
				OA2- <sup>(6)</sup>	I	Analog	DVCC	–
46	37	2	29	P3.1 (RD)	I/O	LVC MOS	DVCC	OFF
				OA2O <sup>(6)</sup>	O	Analog	DVCC	–
47	38	3	30	P3.0 (RD)	I/O	LVC MOS	DVCC	OFF
				MCLK	O	LVC MOS	DVCC	–
48	39	4	31	P1.3 (RD)	I/O	LVC MOS	DVCC	OFF
				UCB0SOMI	I/O	LVC MOS	DVCC	–
				UCB0SCL	I/O	LVC MOS	DVCC	–
				OA0+ <sup>(6)</sup>	I	Analog	DVCC	–
				A3	I	Analog	DVCC	–

### 4.3 Signal Descriptions

Table 4-2 describes the signals for all device variants and package options.

**Table 4-2. Signal Descriptions**

FUNCTION	SIGNAL NAME	PIN NUMBER <sup>(1)</sup>				PIN TYPE <sup>(2)</sup>	DESCRIPTION
		PT	RHA	DBT	RSM		
ADC	A0	3	2	7	2	I	Analog input A0
	A1	2	1	6	1	I	Analog input A1
	A2	1	40	5	32	I	Analog input A2
	A3	48	39	4	31	I	Analog input A3
	A4	34	28	31	22	I	Analog input A4
	A5	33	27	30	21	I	Analog input A5
	A6	32	26	29	20	I	Analog input A6
	A7	31	25	28	19	I	Analog input A7
	A8	43	34	37	–	I	Analog input A8
	A9	42	33	36	–	I	Analog input A9
	A10	41	–	–	–	I	Analog input A10
	A11	40	–	–	–	I	Analog input A11
	Veref+	3	2	7	2	I	ADC positive reference
	Veref-	1	40	5	32	I	ADC negative reference
eCOMP0	C0	3	2	7	2	I	Comparator input channel C0
	C1	2	1	6	1	I	Comparator input channel C1
	COUT	30	24	27	18	O	Comparator output channel COUT
eCOMP1	C0	10	9	14	9	I	Comparator input channel C0
	C1	11	10	15	10	I	Comparator input channel C1
	COUT	29	23	26	17	O	Comparator output channel COUT
SAC0 <sup>(3)</sup>	OA0+	48	39	4	31	I	SAC0, OA positive input
	OA0-	1	40	5	32	I	SAC0, OA negative input
	OA0O	2	1	6	1	O	SAC0, OA output
SAC1 <sup>(3)</sup>	OA1+	31	25	28	19	I	SAC1, OA positive input
	OA1-	32	26	29	20	I	SAC1, OA negative input
	OA1O	33	27	30	21	O	SAC1, OA output
SAC2 <sup>(3)</sup>	OA2+	44	35	38	27	I	SAC2, OA positive input
	OA2-	45	36	1	28	I	SAC2, OA negative input
	OA2O	46	37	2	29	O	SAC2, OA output
SAC3 <sup>(3)</sup>	OA3+	35	29	32	23	I	SAC3, OA positive input
	OA3-	36	30	33	24	I	SAC3, OA negative input
	OAO	37	31	34	25	O	SAC3, OA output
Clock	ACLK	2	1	6	1	O	ACLK output
	MCLK	9	8	13	8	O	MCLK output
		47	38	3	30	O	
	SMCLK	3	2	7	2	O	SMCLK output
		38	32	35	26	O	
	XIN	8	7	12	7	I	Input terminal for crystal oscillator
XOUT	9	8	13	8	O	Output terminal for crystal oscillator	

(1) Any pin that is not bonded out in a smaller package must be initialized by software after reset to achieve the lowest leakage current.

(2) I = input, O = output, I/O = input/output, P = power

(3) MSP430FR235x devices only



**Table 4-2. Signal Descriptions (continued)**

FUNCTION	SIGNAL NAME	PIN NUMBER <sup>(1)</sup>				PIN TYPE <sup>(2)</sup>	DESCRIPTION
		PT	RHA	DBT	RSM		
Debug	SBWTCK	4	3	8	3	I	Spy-Bi-Wire input clock
	SBWTDIO	5	4	9	4	I/O	Spy-Bi-Wire data input/output
	TCK	34	28	31	22	I	Test clock
	TCLK	32	26	29	20	I	Test clock input
	TDI	32	26	29	20	I	Test data input
	TDO	31	25	28	19	O	Test data output
	TMS	33	27	30	21	I	Test mode select
	TEST	4	3	8	3	I	Test mode pin – selected digital I/O on JTAG pins
System	NMI	5	4	9	4	I	Nonmaskable interrupt input
	$\overline{\text{RST}}$	5	4	9	4	I/O	Reset input, active-low
Power	DVCC	6	5	10	5	P	Power supply
	DVSS	7	6	11	6	P	Power ground
	VREF+	31	25	28	19	P	Output of positive reference voltage with ground as reference
GPIO, Port 1	P1.0	3	2	7	2	I/O	General-purpose I/O
	P1.1	2	1	6	1	I/O	General-purpose I/O
	P1.2	1	40	5	32	I/O	General-purpose I/O
	P1.3	48	39	4	31	I/O	General-purpose I/O
	P1.4	34	28	31	22	I/O	General-purpose I/O <sup>(4)</sup>
	P1.5	33	27	30	21	I/O	General-purpose I/O <sup>(4)</sup>
	P1.6	32	26	29	20	I/O	General-purpose I/O <sup>(4)</sup>
	P1.7	31	25	28	19	I/O	General-purpose I/O <sup>(4)</sup>
GPIO, Port 2	P2.0	30	24	27	18	I/O	General-purpose I/O
	P2.1	29	23	26	17	I/O	General-purpose I/O
	P2.2	28	22	25	–	I/O	General-purpose I/O
	P2.3	27	21	24	–	I/O	General-purpose I/O
	P2.4	11	10	15	10	I/O	General-purpose I/O
	P2.5	10	9	14	9	I/O	General-purpose I/O
	P2.6	9	8	13	8	I/O	General-purpose I/O
	P2.7	8	7	12	7	I/O	General-purpose I/O
GPIO, Port 3	P3.0	47	38	3	30	I/O	General-purpose I/O
	P3.1	46	37	2	29	I/O	General-purpose I/O
	P3.2	45	36	1	28	I/O	General-purpose I/O
	P3.3	44	35	38	27	I/O	General-purpose I/O
	P3.4	38	32	35	26	I/O	General-purpose I/O
	P3.5	37	31	34	25	I/O	General-purpose I/O
	P3.6	36	30	33	24	I/O	General-purpose I/O
	P3.7	35	29	32	23	I/O	General-purpose I/O

(4) Because this pin is multiplexed with the JTAG function, TI recommends disabling the pin interrupt function while in JTAG debug to prevent collisions.  
Functions shared with these four pins cannot be debugged if 4-wire JTAG is used for debug.

Table 4-2. Signal Descriptions (continued)

FUNCTION	SIGNAL NAME	PIN NUMBER <sup>(1)</sup>				PIN TYPE <sup>(2)</sup>	DESCRIPTION
		PT	RHA	DBT	RSM		
GPIO, Port 4	P4.0	26	20	23	16	I/O	General-purpose I/O
	P4.1	25	19	22	15	I/O	General-purpose I/O
	P4.2	24	18	21	14	I/O	General-purpose I/O
	P4.3	23	17	20	13	I/O	General-purpose I/O
	P4.4	15	14	19	–	I/O	General-purpose I/O
	P4.5	14	13	18	–	I/O	General-purpose I/O
	P4.6	13	12	17	12	I/O	General-purpose I/O
GPIO, Port 5	P5.0	43	34	37	–	I/O	General-purpose I/O
	P5.1	42	33	36	–	I/O	General-purpose I/O
	P5.2	41	–	–	–	I/O	General-purpose I/O
	P5.3	40	–	–	–	I/O	General-purpose I/O
	P5.4	39	–	–	–	I/O	General-purpose I/O
GPIO, Port 6	P6.0	22	16	–	–	I/O	General-purpose I/O
	P6.1	21	15	–	–	I/O	General-purpose I/O
	P6.2	20	–	–	–	I/O	General-purpose I/O
	P6.3	19	–	–	–	I/O	General-purpose I/O
	P6.4	18	–	–	–	I/O	General-purpose I/O
	P6.5	17	–	–	–	I/O	General-purpose I/O
	P6.6	16	–	–	–	I/O	General-purpose I/O
UART	UCA0TXD	31	25	28	19	O	eUSCI_A0 UART transmit data
	UCA0RXD	32	26	29	20	I	eUSCI_A0 UART receive data
	UCA1TXD	23	17	20	13	O	eUSCI_A1 UART transmit data
	UCA1RXD	24	18	21	14	I	eUSCI_A1 UART receive data
ISO	ISOTXD	26	20	23	16	O	ISO transmit data (the logical AND product of UCA1TXD and TB3.CCI2B)
	ISORXD	26	20	23	16	I	ISO receive data (to UCA1RXD and TB3.CCI2B)
SPI	UCA0STE	34	28	31	22	I/O	eUSCI_A0 SPI slave transmit enable
	UCA0CLK	33	27	30	21	I/O	eUSCI_A0 SPI clock input/output
	UCA0SOMI	32	26	29	20	I/O	eUSCI_A0 SPI slave out/master in
	UCA0SIMO	31	25	28	19	I/O	eUSCI_A0 SPI slave in/master out
	UCA1STE	26	20	23	16	I/O	eUSCI_A1 SPI slave transmit enable
	UCA1CLK	25	19	22	15	I/O	eUSCI_A1 SPI clock input/output
	UCA1SOMI	24	18	21	14	I/O	eUSCI_A1 SPI slave out/master in
	UCA1SIMO	23	17	20	13	I/O	eUSCI_A1 SPI slave in/master out
	UCB0STE	3	2	7	2	I/O	eUSCI_B0 slave transmit enable
	UCB0CLK	2	1	6	1	I/O	eUSCI_B0 clock input/output
	UCB0SIMO	1	40	5	32	I/O	eUSCI_B0 SPI slave in/master out
	UCB0SOMI	48	39	4	31	I/O	eUSCI_B0 SPI slave out/master in
	UCB1STE	15	14	19	–	I/O	eUSCI_B1 slave transmit enable
	UCB1CLK	14	13	18	–	I/O	eUSCI_B1 clock input/output
	UCB1SIMO	13	12	17	–	I/O	eUSCI_B1 SPI slave in/master out
UCB1SOMI	12	11	16	–	I/O	eUSCI_B1 SPI slave out/master in	
I <sup>2</sup> C	UCB0SCL	48	39	4	31	I/O	eUSCI_B0 I <sup>2</sup> C clock
	UCB0SDA	1	40	5	32	I/O	eUSCI_B0 I <sup>2</sup> C data
	UCB1SCL	12	11	16	11	I/O	eUSCI_B1 I <sup>2</sup> C clock
	UCB1SDA	13	12	17	12	I/O	eUSCI_B1 I <sup>2</sup> C data

**Table 4-2. Signal Descriptions (continued)**

FUNCTION	SIGNAL NAME	PIN NUMBER <sup>(1)</sup>				PIN TYPE <sup>(2)</sup>	DESCRIPTION
		PT	RHA	DBT	RSM		
Timer_B	TB0.1	32	26	29	20	I/O	Timer TB0 CCR1 capture: CCI1A input, compare: Out1 output
	TB0.2	31	25	28	19	I/O	Timer TB0 CCR2 capture: CCI2A input compare: Out2 output
	TB0TRG	1	40	5	32	I	TB0 external trigger input for TB0OUTH
	TB0CLK	8	7	12	7	I	Timer clock input TBCLK for TB0
	TB1.1	30	24	27	18	I/O	Timer TB1 CCR1 capture: CCI1A input compare: Out1 output
	TB1.2	29	23	26	17	I/O	Timer TB1 CCR2 capture: CCI2A input compare: Out2 output
	TB1CLK	28	22	25	–	I	Timer clock input TBCLK for TB1
	TB1TRG	27	21	24	–	I	TB1 external trigger input for TB1OUTH
	TB2.1	43	34	37	–	I/O	Timer TB2 CCR1 capture: CCI1A input compare: Out1 output
	TB2.2	42	33	36	–	I/O	Timer TB2 CCR2 capture: CCI2A input compare: Out2 output
	TB2CLK	41	–	–	–	I	Timer clock input TBCLK for TB2
	TB2TRG	40	–	–	–	I	TB2 external trigger input for TB2OUTH
	TB3.1	22	16	–	–	I/O	Timer TB3 CCR1 capture: CCI1A input compare: Out1 output
	TB3.2	21	15	–	–	I/O	Timer TB3 CCR2 capture: CCI2A input compare: Out2 output
	TB3.3	20	–	–	–	I/O	Timer TB3 CCR3 capture: CCI3A input compare: Out3 output
	TB3.4	19	–	–	–	I/O	Timer TB3 CCR4 capture: CCI4A input compare: Out4 output
	TB3.5	18	–	–	–	I/O	Timer TB3 CCR5 capture: CCI5A input compare: Out5 outputs
	TB3.6	17	–	–	–	I/O	Timer TB3 CCR6 capture: CCI6A input compare: Out6 output
	TB3CLK	16	–	–	–	I	Timer clock input TBCLK for TB3
MFM	TX	42	33	36	–	O	Manchester function module transmit
	RX	43	34	37	–	I	Manchester function module receive
VQFN thermal pad		–	Pad	–	Pad	–	Connect the exposed thermal pad to VSS.

## 4.4 Pin Multiplexing

Pin multiplexing for these devices is controlled by both register settings and operating modes (for example, if the device is in test mode). For details of the settings for each pin and diagrams of the multiplexed ports, see [Section 6.11](#).

## 4.5 Buffer Type

[Table 4-3](#) defines the pin buffer types that are listed in [Table 4-1](#).

**Table 4-3. Buffer Type**

BUFFER TYPE (STANDARD)	NOMINAL VOLTAGE	HYSTERESIS	PU OR PD	NOMINAL PU OR PD STRENGTH ( $\mu$ A)	OUTPUT DRIVE STRENGTH (mA)	OTHER CHARACTERISTICS
LVC MOS	3.0 V	Y <sup>(1)</sup>	Programmable	See <a href="#">Section 5.12.5</a>	See <a href="#">Section 5.12.5</a>	
Analog	3.0 V	N	N/A	N/A	N/A	See the analog modules in <a href="#">Section 5</a> for details
Power (DVCC)	3.0 V	N	N/A	N/A	N/A	SVS enables hysteresis on DVCC
Power (AVCC)	3.0 V	N	N/A	N/A	N/A	

(1) Only for input pins

## 4.6 Connection of Unused Pins

[Table 4-4](#) lists the correct termination of unused pins.

**Table 4-4. Connection of Unused Pins<sup>(1)</sup>**

PIN	POTENTIAL	COMMENT
Px.0 to Px.7	Open	Set to port function, output direction (PxDIR.n = 1)
$\overline{\text{RST}}/\text{NMI}$	DVCC	47-k $\Omega$ pullup or internal pullup selected with 10-nF (or 1.1-nF) pulldown <sup>(2)</sup>
TEST	Open	This pin always has an internal pulldown enabled.

- (1) Any unused pin with a secondary function that is shared with general-purpose I/O should follow the Px.0 to Px.7 unused pin connection guidelines.
- (2) The pulldown capacitor should not exceed 1.1 nF when using devices with Spy-Bi-Wire interface in Spy-Bi-Wire mode with TI tools like FET interfaces or GANG programmers.

## 5 Specifications

### 5.1 Absolute Maximum Ratings<sup>(1)</sup>

over operating free-air temperature range (unless otherwise noted)

	DEVICE GRADE	MIN	MAX	UNIT
Voltage applied at DVCC pin to V <sub>SS</sub>	T	-0.3	4.1	V
Voltage applied to any pin <sup>(2)</sup>	T	-0.3	V <sub>CC</sub> + 0.3 4.1 V Max	V
Current across the whole chip including IO currents	T		+50	mA
Diode current at any device pin	T		±2	mA
Maximum junction temperature, T <sub>J</sub>	T		115	°C
Storage temperature, T <sub>stg</sub> <sup>(3)</sup>	T	-40	125	°C

- (1) Stresses beyond those listed under *Absolute Maximum Ratings* can cause permanent damage to the device. These are stress ratings only, and functional operation of the device at these or any other conditions beyond those indicated under *Recommended Operating Conditions* is not implied. Exposure to absolute-maximum-rated conditions for extended periods can affect device reliability.
- (2) All voltages referenced to V<sub>SS</sub>.
- (3) Higher temperature may be applied during board soldering according to the current JEDEC J-STD-020 specification with peak reflow temperatures not higher than classified on the device label on the shipping boxes or reels.

### 5.2 ESD Ratings

over operating free-air temperature range (unless otherwise noted)

		DEVICE GRADE	VALUE	UNIT	
V <sub>(ESD)</sub>	Electrostatic discharge	Human-body model (HBM), per ANSI/ESDA/JEDEC JS-001 <sup>(1)</sup>	T	±1000	V
		Charged-device model (CDM), per JEDEC specification JESD22-C101 <sup>(2)</sup>	T	±250	

- (1) JEDEC document JEP155 states that 500-V HBM allows safe manufacturing with a standard ESD control process. Manufacturing with less than 500-V HBM is possible with the necessary precautions. Pins listed as ±1000 V may actually have higher performance.
- (2) JEDEC document JEP157 states that 250-V CDM allows safe manufacturing with a standard ESD control process. Manufacturing with less than 250-V CDM is possible with the necessary precautions. Pins listed as ±250 V may actually have higher performance.

### 5.3 Recommended Operating Conditions

		DEVICE GRADE	MIN	NOM	MAX	UNIT	
V <sub>CC</sub>	Supply voltage applied at DVCC pin <sup>(1) (2)(3) (4)</sup>	T	1.8		3.6	V	
V <sub>SS</sub>	Supply voltage applied at DVSS pin	T		0		V	
T <sub>A</sub>	Operating free-air temperature	T	-40		105	°C	
T <sub>J</sub>	Operating junction temperature	T	-40		115	°C	
C <sub>DVCC</sub>	Recommended capacitor at DVCC <sup>(5)</sup>	T	4.7	10		µF	
f <sub>SYSTEM</sub>	Processor frequency (maximum MCLK frequency) <sup>(4)(6)</sup>	No FRAM wait states (NWAITSx = 0)	T	0		8	MHz
		With FRAM wait states (NWAITSx = 1) <sup>(7)</sup>	T	0		16	
		With FRAM wait states (NWAITSx = 2) <sup>(7)</sup>	T	0		24 <sup>(8)</sup>	

- (1) Supply voltage changes faster than 0.2 V/µs can trigger a BOR reset even within the recommended supply voltage range. Following the data sheet recommendation for capacitor C<sub>DVCC</sub> limits the slopes accordingly.
- (2) Modules can have a different supply voltage range specification. See the specification of the respective module in this data sheet.
- (3) TI recommends that power to the DVCC pin must not exceed the limits specified in *Recommended Operating Conditions*. Exceeding the specified limits can cause malfunction of the device including erroneous writes to RAM and FRAM.
- (4) The minimum supply voltage is defined by the SVS levels. See the SVS threshold parameters in [Table 5-1](#).
- (5) A capacitor tolerance of ±20% or better is required. A low-ESR ceramic capacitor of 100 nF (minimum) should be placed as close as possible (within a few millimeters) to the respective pin pair.
- (6) Modules can have a different maximum input clock specification. See the specification of the respective module in this data sheet.
- (7) Wait states only occur on actual FRAM accesses (that is, on FRAM cache misses). RAM and peripheral accesses are always executed without wait states.
- (8) If clock sources such as HF crystals or the DCO with frequencies >24 MHz are used, the clock must be divided in the clock system to comply with this operating condition.

## Recommended Operating Conditions (continued)

		DEVICE GRADE	MIN	NOM	MAX	UNIT
$f_{ACLK}$	Maximum ACLK frequency	T			40	kHz
$f_{SMCLK}$	Maximum SMCLK frequency	T			24 <sup>(8)</sup>	MHz

## 5.4 Active Mode Supply Current Into $V_{CC}$ Excluding External Current

 over operating free-air temperature range (unless otherwise noted)<sup>(1)</sup>

PARAMETER	EXECUTION MEMORY	TEST CONDITIONS	DEVICE GRADE	Frequency ( $f_{MCLK} = f_{SMCLK}$ )				UNIT				
				1 MHz 0 WAIT STATES (NWAITSx = 0)		8 MHz 0 WAIT STATES (NWAITSx = 0)			16 MHz 1 WAIT STATE (NWAITSx = 1)		24 MHz 2 WAIT STATES (NWAITSx = 2)	
				TYP	MAX	TYP	MAX		TYP	MAX	TYP	MAX
$I_{AM, FRAM(0\%)}$	FRAM 0% cache hit ratio	3.0 V, 25°C	T	555	3084	3411	3692	$\mu A$				
		3.0 V, 85°C	T	575	3207	3519	3807					
		3.0 V, 105°C	T	583	3233	3545	3833					
$I_{AM, FRAM(100\%)}$	FRAM 100% cache hit ratio	3.0 V, 25°C	T	261	724	1245	1772	$\mu A$				
		3.0 V, 85°C	T	272	742	1267	1800					
		3.0 V, 105°C	T	283	753	1281	1817					
$I_{AM, RAM}^{(2)}$	RAM	3.0 V, 25°C	T	285	917	1627	2355	$\mu A$				

(1) All inputs are tied to 0 V or to  $V_{CC}$ . Outputs do not source or sink any current. Characterized with program executing typical data processing.

$f_{ACLK} = 32768$  Hz,  $f_{MCLK} = f_{SMCLK} = f_{DCO}$  at specified frequency

Program and data entirely reside in FRAM. All execution is from FRAM.

(2) Program and data reside entirely in RAM. All execution is from RAM. No access to FRAM.

## 5.5 Active Mode Supply Current Per MHz

 $V_{CC} = 3.0$  V,  $T_A = 25^\circ C$  (unless otherwise noted)

PARAMETER	TEST CONDITIONS	DEVICE GRADE	MIN	TYP	MAX	UNIT
$dI_{AM,FRAM}/df$	Active mode current consumption per MHz, execution from FRAM, no wait states <sup>(1)</sup>	( $I_{AM}$ , 75% cache hit rate at 8 MHz – $I_{AM}$ , 75% cache hit rate at 1 MHz) / 7 MHz		142		$\mu A/MHz$

(1) All peripherals are turned on in default settings.

## 5.6 Low-Power Mode LPM0 Supply Currents Into $V_{CC}$ Excluding External Current

 $V_{CC} = 3.0$  V,  $T_A = 25^\circ C$  (unless otherwise noted)<sup>(1) (2)</sup>

PARAMETER	$V_{CC}$	DEVICE GRADE	FREQUENCY ( $f_{SMCLK}$ )				UNIT				
			1 MHz		8 MHz			16 MHz		24 MHz	
			TYP	MAX	TYP	MAX		TYP	MAX	TYP	MAX
$I_{LPM0}$	2.0 V	T	199	312	437	637	$\mu A$				
	3.0 V	T	211	324	449	649					

(1) All inputs are tied to 0 V or to  $V_{CC}$ . Outputs do not source or sink any current.

(2) Current for watchdog timer clocked by SMCLK included.

$f_{ACLK} = 32768$  Hz,  $f_{MCLK} = 0$  MHz,  $f_{SMCLK}$  at specified frequency.

## 5.7 Low-Power Mode LPM3 and LPM4 Supply Currents (Into $V_{CC}$ ) Excluding External Current

over recommended ranges of supply voltage and operating free-air temperature (unless otherwise noted) <sup>(1)</sup>

PARAMETER	DEVICE GRADE	$V_{CC}$	-40°C		25°C		85°C		105°C		UNIT
			TYP	MAX	TYP	MAX	TYP	MAX	TYP	MAX	
$I_{LPM3,XT1}$	Low-power mode 3, includes SVS <sup>(2) (3) (4)</sup>	T	3.0 V	1.21	1.49	6.35	21.85	13.29	47.87	$\mu A$	
$I_{LPM3,XT1}$	Low-power mode 3, includes SVS <sup>(2) (3) (4)</sup>	T	2.0 V	1.18	1.45	6.28		13.17		$\mu A$	
$I_{LPM3,VLO}$	Low-power mode 3, VLO, excludes SVS <sup>(5)</sup>	T	3.0 V	1.01	1.29	6.15	21.65	13.1	47.67	$\mu A$	
$I_{LPM3,VLO}$	Low-power mode 3, VLO, excludes SVS <sup>(5)</sup>	T	2.0 V	0.99	1.26	6.09		12.98		$\mu A$	
$I_{LPM3,RTC}$	Low-power mode 3, RTC, excludes SVS <sup>(6)</sup>	T	3.0 V	1.15	1.43	6.29		13.24		$\mu A$	
$I_{LPM3,RTC}$	Low-power mode 3, RTC, excludes SVS <sup>(6)</sup>	T	2.0 V	1.13	1.41	6.23		13.13		$\mu A$	
$I_{LPM4,SVS}$	Low-power mode 4, includes SVS	T	3.0 V	0.74	1.00	5.83		12.73		$\mu A$	
$I_{LPM4,SVS}$	Low-power mode 4, includes SVS	T	2.0 V	0.72	0.98	5.77		12.62		$\mu A$	
$I_{LPM4,}$	Low-power mode 4, excludes SVS	T	3.0 V	0.56	0.82	5.64		12.54		$\mu A$	
$I_{LPM4,}$	Low-power mode 4, excludes SVS	T	2.0 V	0.55	0.81	5.59		12.45		$\mu A$	
$I_{LPM4,RTC,VLO}$	Low-power mode 4, RTC is sourced from VLO, excludes SVS <sup>(7)</sup>	T	3.0 V	0.66	0.93	5.76		12.67		$\mu A$	
$I_{LPM4,RTC,VLO}$	Low-power mode 4, RTC is sourced from VLO, excludes SVS <sup>(7)</sup>	T	2.0 V	0.66	0.92	5.71		12.58		$\mu A$	
$I_{LPM4,RTC,XT1}$	Low-power mode 4, RTC is sourced from XT1, excludes SVS <sup>(8)</sup>	T	3.0 V	1.06	1.34	6.21		13.15		$\mu A$	
$I_{LPM4,RTC,XT1}$	Low-power mode 4, RTC is sourced from XT1, excludes SVS <sup>(8)</sup>	T	2.0 V	1.05	1.33	6.16		13.05		$\mu A$	

(1) All inputs are tied to 0 V or to  $V_{CC}$ . Outputs do not source or sink any current

(2) Not applicable for devices with HF crystal oscillator only.

(3) Characterized with a Seiko Crystal SC-32S crystal with a load capacitance chosen to closely match the required load.

(4) Low-power mode 3, includes SVS test conditions:

Current for watchdog timer clocked by ACLK and RTC clocked by XT1 included. Current for brownout and SVS included (SVSHE = 1). CPUOFF = 1, SCG0 = 1 SCG1 = 1, OSCOFF = 0 (LPM3),

$f_{XT1} = 32768$  Hz,  $f_{ACLK} = f_{XT1}$ ,  $f_{MCLK} = f_{SMCLK} = 0$  MHz

(5) Low-power mode 3, VLO, excludes SVS test conditions:

Current for watchdog timer clocked by VLO included. RTC disabled. Current for brownout included. SVS disabled (SVSHE = 0).

CPUOFF = 1, SCG0 = 1 SCG1 = 1, OSCOFF = 0 (LPM3),

$f_{XT1} = 32768$  Hz,  $f_{ACLK} = f_{MCLK} = f_{SMCLK} = 0$  MHz

(6) RTC wakes every second with external 32768-Hz clock as source.

(7) Low-power mode 4, VLO, excludes SVS test conditions:

Current for RTC clocked by VLO included. RTC disabled. Current for brownout included. SVS disabled (SVSHE = 0).

CPUOFF = 1, SCG0 = 1 SCG1 = 1, OSCOFF = 1 (LPM4),

$f_{XT1} = 32768$  Hz,  $f_{ACLK} = f_{MCLK} = f_{SMCLK} = 0$  MHz

(8) Low-power mode 4, XT1, excludes SVS test conditions:

Current for RTC clocked by XT1 included. RTC disabled. Current for brownout included. SVS disabled (SVSHE = 0).

CPUOFF = 1, SCG0 = 1 SCG1 = 1, OSCOFF = 1 (LPM4),

$f_{XT1} = 32768$  Hz,  $f_{ACLK} = f_{MCLK} = f_{SMCLK} = 0$  MHz



## 5.8 Low-Power Mode LPMx.5 Supply Currents (Into $V_{CC}$ ) Excluding External Current

over recommended ranges of supply voltage and operating free-air temperature (unless otherwise noted)

PARAMETER	DEVICE GRADE	$V_{CC}$	-40°C		25°C		85°C		105°C		UNIT
			TYP	MAX	TYP	MAX	TYP	MAX	TYP	MAX	
$I_{LPM3.5, XT1}$	Low-power mode 3.5, includes SVS <sup>(1)</sup> <sup>(2)</sup> <sup>(3)</sup> (also see <a href="#">Figure 5-3</a> )	T	3.0 V	0.57	0.62	0.89	2.06	1.27	3.21	$\mu$ A	
$I_{LPM3.5, XT1}$	Low-power mode 3.5, includes SVS <sup>(1)</sup> <sup>(2)</sup> <sup>(3)</sup> (also see <a href="#">Figure 5-3</a> )	T	2.0 V	0.55	0.59	0.84		1.19		$\mu$ A	
$I_{LPM4.5, SVS}$	Low-power mode 4.5, includes SVS <sup>(4)</sup>	T	3.0 V	0.27	0.29	0.41	0.63	0.61	1.13	$\mu$ A	
$I_{LPM4.5, SVS}$	Low-power mode 4.5, includes SVS <sup>(4)</sup>	T	2.0 V	0.25	0.27	0.37		0.55		$\mu$ A	
$I_{LPM4.5}$	Low-power mode 4.5, excludes SVS <sup>(5)</sup>	T	3.0 V	0.031	0.042	0.153	0.343	0.337	0.832	$\mu$ A	
$I_{LPM4.5}$	Low-power mode 4.5, excludes SVS <sup>(5)</sup>	T	2.0 V	0.025	0.036	0.128		0.289		$\mu$ A	

(1) Not applicable for devices with HF crystal oscillator only

(2) Characterized with a Seiko Crystal SC-32S crystal with a load capacitance chosen to closely match the required load.

(3) Low-power mode 3.5, includes SVS test conditions:

Current for RTC clocked by XT1 included. Current for brownout and SVS included (SVSHE = 1). Core regulator disabled. PMMREGOFF = 1, CPUOFF = 1, SCG0 = 1 SCG1 = 1, OSCOFF = 1 (LPMx.5),

$f_{XT1} = 32768$  Hz,  $f_{ACLK} = f_{XT1}$ ,  $f_{MCLK} = f_{SMCLK} = 0$  MHz

(4) Low-power mode 4.5, includes SVS test conditions:

Current for brownout and SVS included (SVSHE = 1). Core regulator disabled.

PMMREGOFF = 1, CPUOFF = 1, SCG0 = 1 SCG1 = 1, OSCOFF = 1 (LPMx.5),

$f_{XT1} = 0$  Hz,  $f_{ACLK} = f_{MCLK} = f_{SMCLK} = 0$  MHz

(5) Low-power mode 4.5, excludes SVS test conditions:

Current for brownout included. SVS disabled (SVSHE = 0). Core regulator disabled.

PMMREGOFF = 1, CPUOFF = 1, SCG0 = 1 SCG1 = 1, OSCOFF = 1 (LPMx.5),

$f_{XT1} = 0$  Hz,  $f_{ACLK} = f_{MCLK} = f_{SMCLK} = 0$  MHz

### 5.9 Production Distribution of LPM Supply Currents

$V_{CC} = 3\text{ V}$

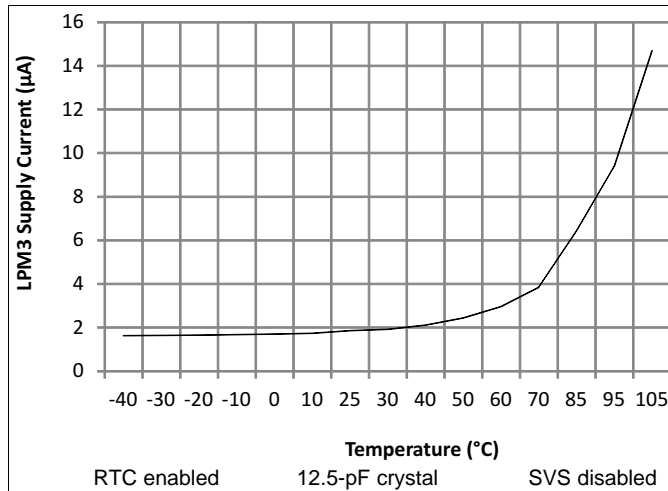


Figure 5-1. Population vs Low-Power Mode 3 Supply Current

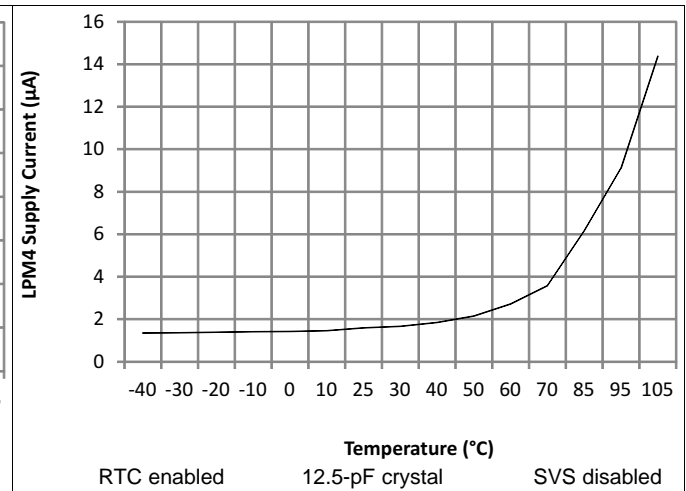


Figure 5-2. Population vs Low-Power Mode 4 Supply Current

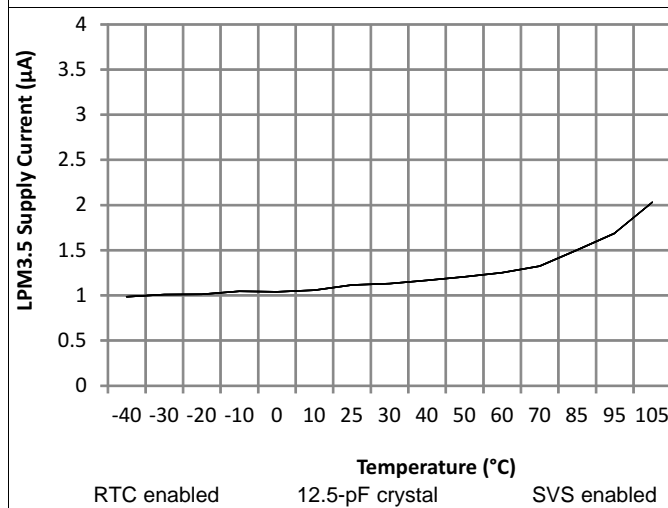


Figure 5-3. LPM3.5 Supply Current vs Temperature

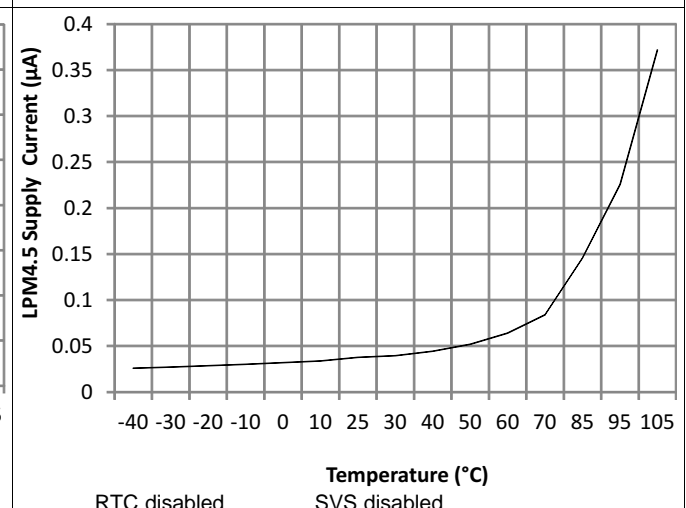


Figure 5-4. LPM4.5 Supply Current vs Temperature

## 5.10 Typical Characteristics - Current Consumption Per Module

over recommended ranges of supply voltage and operating free-air temperature (unless otherwise noted)

MODULE	TEST CONDITIONS	REFERENCE CLOCK	DEVICE GRADE	TYP	UNIT
Timer_B		Module input clock	T	5	μA/MHz
eUSCI_A	UART mode	Module input clock	T	7	μA/MHz
eUSCI_A	SPI mode	Module input clock	T	5	μA/MHz
eUSCI_B	SPI mode	Module input clock	T	5	μA/MHz
eUSCI_B	I <sup>2</sup> C mode, 100 kbaud	Module input clock	T	5	μA/MHz
RTC		32 kHz	T	85	nA
CRC	From start to end of operation	MCLK	T	8.5	μA/MHz

## 5.11 Thermal Resistance Characteristics

THERMAL METRIC <sup>(1)</sup>		VALUE <sup>(2)</sup>	UNIT
R <sub>θJA</sub>	Junction-to-ambient thermal resistance, still air	QFP 48 pin (PT)	67.6
		QFN 40 pin (RHA)	31.6
		TSSOP 38 pin (DBT)	67.0
		QFN 32 pin (RSM)	32.3
R <sub>θJC</sub>	Junction-to-case (top) thermal resistance	QFP 48 pin (PT)	24.0
		QFN 40 pin (RHA)	24.1
		TSSOP 38 pin (DBT)	19.8
		QFN 32 pin (RSM)	27.8
R <sub>θJB</sub>	Junction-to-board thermal resistance	QFP 48 pin (PT)	31.6
		QFN 40 pin (RHA)	12.6
		TSSOP 38 pin (DBT)	27.3
		QFN 32 pin (RSM)	11.8

(1) For more information about traditional and new thermal metrics, see [Semiconductor and IC Package Thermal Metrics](#).

(2) These values are based on a JEDEC-defined 2S2P system (with the exception of the Theta JC (R<sub>θJC</sub>) value, which is based on a JEDEC-defined 1S0P system) and will change based on environment and application. For more information, see these EIA/JEDEC standards:

- JESD51-2, *Integrated Circuits Thermal Test Method Environmental Conditions - Natural Convection (Still Air)*
- JESD51-3, *Low Effective Thermal Conductivity Test Board for Leaded Surface Mount Packages*
- JESD51-7, *High Effective Thermal Conductivity Test Board for Leaded Surface Mount Packages*
- JESD51-9, *Test Boards for Area Array Surface Mount Package Thermal Measurements*

## 5.12 Timing and Switching Characteristics

### 5.12.1 Power Supply Sequencing

Figure 5-5 shows the power cycle and reset conditions.

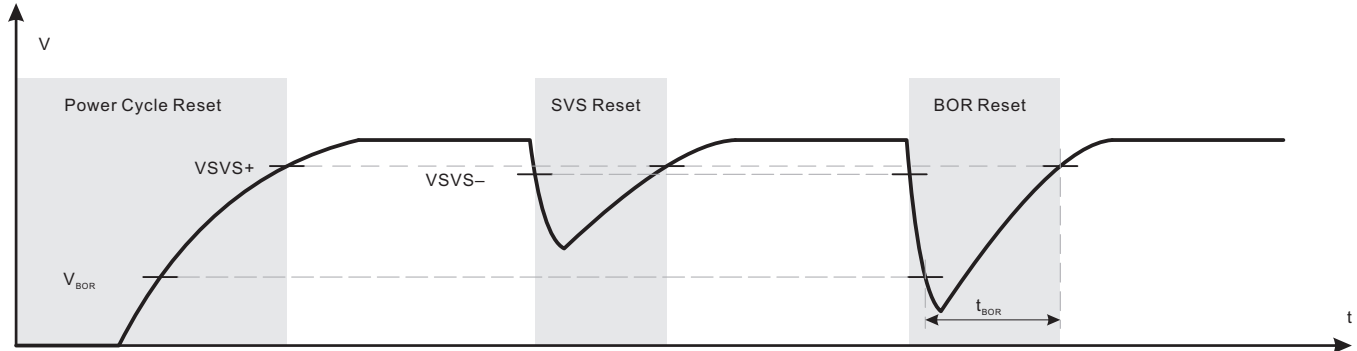


Figure 5-5. Power Cycle, SVS, and BOR Reset Conditions

Table 5-1 lists the characteristics of the SVS and BOR.

Table 5-1. PMM, SVS and BOR

over recommended ranges of supply voltage and operating free-air temperature (unless otherwise noted)

PARAMETER		TEST CONDITIONS	DEVICE GRADE	MIN	TYP	MAX	UNIT
$V_{BOR, safe}$	Safe BOR power-down level <sup>(1)</sup>		T	0.1			V
$t_{BOR, safe}$	Safe BOR reset delay <sup>(2)</sup>		T	10			ms
$I_{SVSH, AM}$	SVS <sub>H</sub> current consumption, active mode	$V_{CC} = 3.6\text{ V}$	T			1.5	$\mu\text{A}$
$I_{SVSH, LPM}$	SVS <sub>H</sub> current consumption, low-power modes	$V_{CC} = 3.6\text{ V}$	T		240		nA
$V_{SVSH-}$	SVS <sub>H</sub> power-down level <sup>(3)</sup>		T	1.71	1.80	1.87	V
$V_{SVSH+}$	SVS <sub>H</sub> power-up level <sup>(3)</sup>		T	1.76	1.88	1.99	V
$V_{SVSH\_hys}$	SVS <sub>H</sub> hysteresis		T		100		mV
$t_{PD, SVSH, AM}$	SVS <sub>H</sub> propagation delay, active mode		T			10	$\mu\text{s}$
$t_{PD, SVSH, LPM}$	SVS <sub>H</sub> propagation delay, low-power modes		T			100	$\mu\text{s}$

(1) A safe BOR can only be correctly generated only if DVCC must drop below this voltage before it rises.

(2) When an BOR occurs, a safe BOR can only be correctly generated only if DVCC is kept low longer than this period before it reaches  $V_{SVSH+}$ .

(3) For additional information, see the [Dynamic Voltage Scaling Power Solution for MSP430 Devices With Single-Channel LDO Reference Design](#).

## 5.12.2 Reset Timing

Table 5-2 lists the device wake-up times.

**Table 5-2. Wake-up Times From Low-Power Modes and Reset**

over recommended ranges of supply voltage and operating free-air temperature (unless otherwise noted)

PARAMETER	TEST CONDITIONS	DEVICE GRADE	V <sub>CC</sub>	MIN	TYP	MAX	UNIT
t <sub>WAKE-UP FRAM</sub>	(Additional) wake-up time to activate the FRAM in AM if previously disabled through the FRAM controller or from a LPM if immediate activation is selected for wake-up <sup>(1)</sup>	T	3 V		10		μs
t <sub>WAKE-UP LPM0</sub>	Wake-up time from LPM0 to active mode <sup>(1)</sup>	T	3 V			200 ns + 2.5 / f <sub>DCO</sub>	
t <sub>WAKE-UP LPM3</sub>	Wake-up time from LPM3 to active mode <sup>(1)</sup>	T	3 V		10		μs
t <sub>WAKE-UP LPM4</sub>	Wake-up time from LPM4 to active mode <sup>(2)</sup>	T	3 V		10		μs
t <sub>WAKE-UP LPM3.5</sub>	Wake-up time from LPM3.5 to active mode <sup>(2)</sup>	T	3 V		350		μs
t <sub>WAKE-UP LPM4.5</sub>	Wake-up time from LPM4.5 to active mode <sup>(2)</sup>	SVSHE = 1	3 V		350		μs
		SVSHE = 0	3 V		1		ms
t <sub>WAKE-UP-RESET</sub>	Wake-up time from $\overline{\text{RST}}$ or BOR event to active mode <sup>(2)</sup>	T	3 V		1		ms
t <sub>RESET</sub>	Pulse duration required at $\overline{\text{RST}}$ /NMI pin to accept a reset	T		2			μs

- (1) The wake-up time is measured from the edge of an external wake-up signal (for example, port interrupt or wake-up event) to the first externally observable MCLK clock edge.
- (2) The wake-up time is measured from the edge of an external wake-up signal (for example, port interrupt or wake-up event) until the first instruction of the user program is executed.

### 5.12.3 Clock Specifications

Table 5-3 lists the characteristics of XT1 in low-frequency mode.

**Table 5-3. XT1 Crystal Oscillator (Low Frequency)**

over recommended ranges of supply voltage and operating free-air temperature (unless otherwise noted)<sup>(1)(2)</sup>

PARAMETER		TEST CONDITIONS	DEVICE GRADE	MIN	TYP	MAX	UNIT
$f_{XT1,LF}$	XT1 oscillator crystal, low frequency	LFXTBYPASS = 0	T		32768		Hz
$DC_{XT1,LF}$	XT1 oscillator LF duty cycle	Measured at MCLK, $f_{LFXT} = 32768$ Hz	T	30%		70%	
$f_{XT1,SW}$	XT1 oscillator logic-level square-wave input frequency	LFXTBYPASS = 1 <sup>(3)(4)</sup>	T		32768		Hz
$DC_{XT1,SW}$	LFXT oscillator logic-level square-wave input duty cycle	LFXTBYPASS = 1	T	40%		60%	
$OA_{LFXT}$	Oscillation allowance for LF crystals <sup>(5)</sup>	LFXTBYPASS = 0, LFXTDRIVE = {3}, $f_{LFXT} = 32768$ Hz, $C_{L,eff} = 12.5$ pF	T		200		k $\Omega$
$C_{L,eff}$	Integrated effective load capacitance <sup>(6)</sup>	<sup>(7)</sup>	T		1		pF
$t_{START,LFXT}$	Start-up time <sup>(8)</sup>	$f_{OSC} = 32768$ Hz, LFXTBYPASS = 0, LFXTDRIVE = {3}, $T_A = 25^\circ\text{C}$ , $C_{L,eff} = 12.5$ pF	T		1000		ms
$f_{Fault,LFXT}$	Oscillator fault frequency <sup>(9)</sup>	XTS = 0 <sup>(10)</sup>	T	0		3500	Hz

- (1) To improve EMI on the LFXT oscillator, observe the following guidelines.
  - Keep the trace between the device and the crystal as short as possible.
  - Design a good ground plane around the oscillator pins.
  - Prevent crosstalk from other clock or data lines into oscillator pins XIN and XOUT.
  - Avoid running PCB traces underneath or adjacent to the XIN and XOUT pins.
  - Use assembly materials and processes that avoid any parasitic load on the oscillator XIN and XOUT pins.
  - If conformal coating is used, make sure that it does not induce capacitive or resistive leakage between the oscillator pins.
- (2) See [MSP430 32-kHz Crystal Oscillators](#) for details on crystal section, layout, and testing.
- (3) When LFXTBYPASS is set, LFXT circuits are automatically powered down. Input signal is a digital square wave with parametrics defined in the Schmitt-trigger inputs section of this data sheet. Duty cycle requirements are defined by  $DC_{LFXT,SW}$ .
- (4) Maximum frequency of operation of the entire device cannot be exceeded.
- (5) Oscillation allowance is based on a safety factor of 5 for recommended crystals. The oscillation allowance is a function of the LFXTDRIVE settings and the effective load. In general, comparable oscillator allowance can be achieved based on the following guidelines, but should be evaluated based on the actual crystal selected for the application:
  - For LFXTDRIVE = {0},  $C_{L,eff} = 3.7$  pF
  - For LFXTDRIVE = {1},  $6 \text{ pF} \leq C_{L,eff} \leq 9 \text{ pF}$
  - For LFXTDRIVE = {2},  $6 \text{ pF} \leq C_{L,eff} \leq 10 \text{ pF}$
  - For LFXTDRIVE = {3},  $6 \text{ pF} \leq C_{L,eff} \leq 12 \text{ pF}$
- (6) Includes parasitic bond and package capacitance (approximately 2 pF per pin).
- (7) Requires external capacitors at both terminals to meet the effective load capacitance specified by crystal manufacturers. Recommended effective load capacitance values supported are 3.7 pF, 6 pF, 9 pF, and 12.5 pF. Maximum shunt capacitance of 1.6 pF. The PCB adds additional capacitance, so it must also be considered in the overall capacitance. Verify that the recommended effective load capacitance of the selected crystal is met.
- (8) Includes startup counter of 1024 clock cycles.
- (9) Frequencies above the MAX specification do not set the fault flag. Frequencies between the MIN and MAX specifications might set the flag. A static condition or stuck at fault condition sets the flag.
- (10) Measured with logic-level input frequency but also applies to operation with crystals.

Table 5-4 lists the characteristics of XT1 in high-frequency mode.

**Table 5-4. XT1 Crystal Oscillator (High Frequency)**

over recommended ranges of supply voltage and operating free-air temperature (unless otherwise noted)<sup>(1)</sup>

PARAMETER	TEST CONDITIONS	DEVICE GRADE	MIN	TYP	MAX	UNIT
f <sub>HFXT</sub>	HFXT oscillator crystal frequency, crystal mode	XT1BYPASS = 0, XTS = 1, XT1HFFREQ = 00	T	1	4	MHz
		XT1BYPASS = 0, XTS = 1, XT1HFFREQ = 01	T	4.01	6	
		XT1BYPASS = 0, XTS = 1, XT1HFFREQ = 10	T	6.01	16	
		XT1BYPASS = 0, XTS = 1, XT1HFFREQ = 11	T	16.01	24	
f <sub>HFXT,SW</sub>	HFXT oscillator logic-level square-wave input frequency, bypass mode	XT1BYPASS = 1, XTS = 1 <sup>(2) (3)</sup>	T	1	24	MHz
DC <sub>HFXT</sub>	HFXT oscillator duty cycle.	Measured at ACLK, f <sub>HFXT,HF</sub> = 4 MHz <sup>(4)</sup>	T	40%	60%	
DC <sub>HFXT,SW</sub>	HFXT oscillator logic-level square-wave input duty cycle	XT1BYPASS = 1	T	40%	60%	
OA <sub>HFXT</sub>	Oscillation allowance for HFXT crystals <sup>(5)</sup>	XT1BYPASS = 0, XT1HFSEL = 1 f <sub>HFXT,HF</sub> = 24 MHz, C <sub>L,eff</sub> = 18 pF	T	3.1		Ω
t <sub>START,HFXT</sub>	Start-up time <sup>(6)</sup>	f <sub>OSC</sub> = 4 MHz, XTS = 1 <sup>(4)</sup> XT1BYPASS = 0, XT1HFFREQ = 00, XT1DRIVE = 3, T <sub>A</sub> = 25°C, C <sub>L,eff</sub> = 18 pF	T	1.6		ms
		f <sub>OSC</sub> = 24 MHz, XTS = 1 <sup>(4)</sup> XT1BYPASS = 0, XT1HFFREQ = 00, XT1DRIVE = 3, T <sub>A</sub> = 25°C, C <sub>L,eff</sub> = 18 pF	T	1.1		
C <sub>L,eff</sub>	Integrated effective load capacitance <sup>(7) (8)</sup>		T	1		pF
f <sub>Fault,HFXT</sub>	Oscillator fault frequency <sup>(9) (10)</sup>		T	0	800	kHz

- (1) To improve EMI on the HFXT oscillator, observe the following guidelines.
  - Keep the trace between the device and the crystal as short as possible.
  - Design a good ground plane around the oscillator pins.
  - Prevent crosstalk from other clock or data lines into oscillator pins XIN and XOUT.
  - Avoid running PCB traces underneath or adjacent to the XIN and XOUT pins.
  - Use assembly materials and processes that avoid any parasitic load on the oscillator XIN and XOUT pins.
  - If conformal coating is used, make sure that it does not induce capacitive or resistive leakage between the oscillator pins.
- (2) When XT1BYPASS is set, HFXT circuits are automatically powered down. Input signal is a digital square wave with parametrics defined in the Schmitt-trigger Inputs section of this datasheet. Duty cycle requirements are defined by DC<sub>HFXT,SW</sub>.
- (3) Maximum frequency of operation of the entire device cannot be exceeded.
- (4) The 4-MHz crystal used for lab characterization is the Abracon HC49/U AB-4.000MHZ-B2. The 16-MHz crystal used for lab characterization is the Abracon HC49/U AB-16.000MHZ-B2.
- (5) Oscillation allowance is based on a safety factor of 5 for recommended crystals.
- (6) Includes startup counter of 4096 clock cycles.
- (7) Includes parasitic bond and package capacitance (approximately 2 pF per pin).  
Because the PCB adds additional capacitance, TI recommends verifying the correct load by measuring the oscillator frequency through MCLK or SMCLK. For a correct setup, the effective load capacitance should always match the specification of the used crystal.
- (8) Requires external capacitors at both terminals. Values are specified by crystal manufacturers. Recommended values supported are 14 pF, 16 pF, and 18 pF. The maximum shunt capacitance is 7 pF.
- (9) Frequencies above the MAX specification do not set the fault flag. Frequencies between the MIN and MAX specifications might set the flag. A static condition or stuck at fault condition sets the flag.
- (10) Measured with logic-level input frequency but also applies to operation with crystals.



Table 5-5 lists the frequency characteristics of the DCO FLL.

**Table 5-5. DCO FLL, Frequency**

Over recommended operating free-air temperature (unless otherwise noted)

PARAMETER	TEST CONDITIONS	DEVICE GRADE	V <sub>CC</sub>	MIN	TYP	MAX	UNIT
f <sub>DCO, FLL</sub> FLL lock frequency, 24 MHz, 25°C	Measured at MCLK, internal trimmed REFO as reference	T	3.0 V	-1.0%		1.0%	
f <sub>DCO, FLL</sub> FLL lock frequency, 24 MHz	Measured at MCLK, internal trimmed REFO as reference	T	3.0 V	-2.0%		2.0%	
f <sub>DCO, FLL</sub> FLL lock frequency, 24 MHz	Measured at MCLK, XT1 crystal as reference	T	3.0 V	-0.5%		0.5%	
f <sub>DUTY</sub> Duty cycle	Measured at MCLK, XT1 crystal as reference	T	3.0 V	40%	50%	60%	
Jitter <sub>cc</sub> Cycle-to-cycle jitter, 24 MHz	Measured at MCLK, XT1 crystal as reference	T	3.0 V		0.50%		
Jitter <sub>long</sub> Long-term Jitter, 24 MHz	Measured at MCLK, XT1 crystal as reference	T	3.0 V		0.022%		
t <sub>FLL, lock</sub> FLL lock time	Measured at MCLK, XT1 crystal as reference	T	3.0 V		200		ms

Table 5-6 lists the frequency characteristics of the DCO.

**Table 5-6. DCO Frequency**

Over recommended operating free-air temperature (unless otherwise noted)

PARAMETER	TEST CONDITIONS	DEVICE GRADE	V <sub>CC</sub>	MIN	TYP	MAX	UNIT
f <sub>DCO, 24MHz</sub> DCO frequency 24 MHz	DCORSEL = 111b, DISMOD = 1b, DCOFTRIM = 000b, DCO = 0	T	3.0 V		12.6		MHz
	DCORSEL = 111b, DISMOD = 1b, DCOFTRIM = 000b, DCO = 511	T	3.0 V		20.5		
	DCORSEL = 111b, DISMOD = 1b, DCOFTRIM = 111b, DCO = 0	T	3.0 V		29.9		
	DCORSEL = 111b, DISMOD = 1b, DCOFTRIM = 111b, DCO = 511	T	3.0 V		48.2		
f <sub>DCO, 20MHz</sub> DCO frequency 20 MHz	DCORSEL = 110b, DISMOD = 1b, DCOFTRIM = 000b, DCO = 0	T	3.0 V		10.5		MHz
	DCORSEL = 110b, DISMOD = 1b, DCOFTRIM = 000b, DCO = 511	T	3.0 V		17.2		
	DCORSEL = 110b, DISMOD = 1b, DCOFTRIM = 111b, DCO = 0	T	3.0 V		25.1		
	DCORSEL = 110b, DISMOD = 1b, DCOFTRIM = 111b, DCO = 511	T	3.0 V		40.4		
f <sub>DCO, 16MHz</sub> DCO frequency 16 MHz	DCORSEL = 101b, DISMOD = 1b, DCOFTRIM = 000b, DCO = 0	T	3.0 V		8.3		MHz
	DCORSEL = 101b, DISMOD = 1b, DCOFTRIM = 000b, DCO = 511	T	3.0 V		13.6		
	DCORSEL = 101b, DISMOD = 1b, DCOFTRIM = 111b, DCO = 0	T	3.0 V		19.9		
	DCORSEL = 101b, DISMOD = 1b, DCOFTRIM = 111b, DCO = 511	T	3.0 V		32.2		

**Table 5-6. DCO Frequency (continued)**

Over recommended operating free-air temperature (unless otherwise noted)

PARAMETER	TEST CONDITIONS	DEVICE GRADE	V <sub>CC</sub>	MIN	TYP	MAX	UNIT
f <sub>DCO, 12MHz</sub> DCO frequency 12 MHz	DCORSEL = 100b, DISMOD = 1b, DCOFTRIM = 000b, DCO = 0	T	3.0 V		6.2		MHz
	DCORSEL = 100b, DISMOD = 1b, DCOFTRIM = 000b, DCO = 511	T	3.0 V		10.2		
	DCORSEL = 100b, DISMOD = 1b, DCOFTRIM = 111b, DCO = 0	T	3.0 V		15		
	DCORSEL = 100b, DISMOD = 1b, DCOFTRIM = 111b, DCO = 511	T	3.0 V		24.3		
f <sub>DCO, 8MHz</sub> DCO frequency 8 MHz	DCORSEL = 011b, DISMOD = 1b, DCOFTRIM = 000b, DCO = 0	T	3.0 V		4.2		MHz
	DCORSEL = 011b, DISMOD = 1b, DCOFTRIM = 000b, DCO = 511	T	3.0 V		6.9		
	DCORSEL = 011b, DISMOD = 1b, DCOFTRIM = 111b, DCO = 0	T	3.0 V		10		
	DCORSEL = 011b, DISMOD = 1b, DCOFTRIM = 111b, DCO = 511	T	3.0 V		16.4		
f <sub>DCO, 4MHz</sub> DCO frequency 4 MHz	DCORSEL = 010b, DISMOD = 1b, DCOFTRIM = 000b, DCO = 0	T	3.0 V		2		MHz
	DCORSEL = 010b, DISMOD = 1b, DCOFTRIM = 000b, DCO = 511	T	3.0 V		3.4		
	DCORSEL = 010b, DISMOD = 1b, DCOFTRIM = 111b, DCO = 0	T	3.0 V		5		
	DCORSEL = 010b, DISMOD = 1b, DCOFTRIM = 111b, DCO = 511	T	3.0 V		8.2		
f <sub>DCO, 2MHz</sub> DCO frequency 2 MHz	DCORSEL = 001b, DISMOD = 1b, DCOFTRIM = 000b, DCO = 0	T	3.0 V		1		MHz
	DCORSEL = 001b, DISMOD = 1b, DCOFTRIM = 000b, DCO = 511	T	3.0 V		1.7		
	DCORSEL = 001b, DISMOD = 1b, DCOFTRIM = 111b, DCO = 0	T	3.0 V		2.5		
	DCORSEL = 001b, DISMOD = 1b, DCOFTRIM = 111b, DCO = 511	T	3.0 V		4.2		
f <sub>DCO, 1MHz</sub> DCO frequency 1 MHz	DCORSEL = 000b, DISMOD = 1b, DCOFTRIM = 000b, DCO = 0	T	3.0 V		0.5		MHz
	DCORSEL = 000b, DISMOD = 1b, DCOFTRIM = 000b, DCO = 511	T	3.0 V		0.85		
	DCORSEL = 000b, DISMOD = 1b, DCOFTRIM = 111b, DCO = 0	T	3.0 V		1.2		
	DCORSEL = 000b, DISMOD = 1b, DCOFTRIM = 111b, DCO = 511	T	3.0 V		2.1		

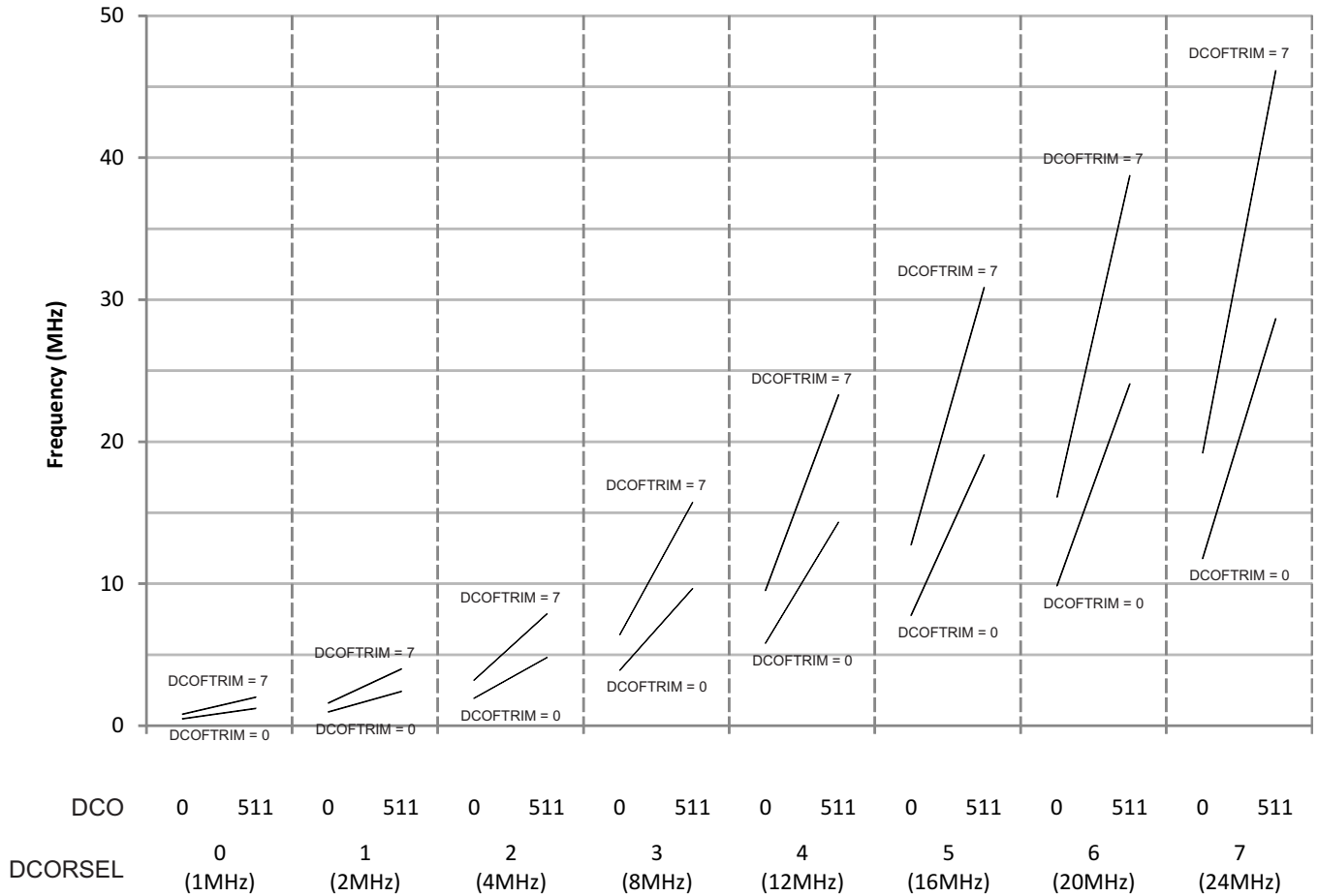


Figure 5-6. Typical DCO Frequency

Table 5-7 lists the characteristics of the REFO.

**Table 5-7. REFO**

over recommended operating free-air temperature (unless otherwise noted)

PARAMETER		TEST CONDITIONS	DEVICE GRADE	V <sub>CC</sub>	MIN	TYP	MAX	UNIT
I <sub>REFO</sub>	REFO oscillator current consumption	T <sub>A</sub> = 25°C, HP mode (REFLP = 0)	T	3.0 V		15		μA
	REFO oscillator current consumption	T <sub>A</sub> = 25°C, LP mode (REFLP = 1)	T	3.0 V		1		
f <sub>REFO</sub>	REFO calibrated frequency	Measured at MCLK	T	3.0 V		32768		Hz
	REFO absolute calibrated tolerance	–40°C to 105°C	T	1.8 V to 3.6 V	–3.5%		+3.5%	
df <sub>REFO</sub> /dT	REFO frequency temperature drift	Measured at MCLK <sup>(1)</sup>	T	3.0 V		0.01		%/°C
df <sub>REFO</sub> /dV <sub>CC</sub>	REFO frequency supply voltage drift	Measured at MCLK at 25°C <sup>(2)</sup>	T	1.8 V to 3.6 V		1		%/V
f <sub>DC</sub>	REFO duty cycle	Measured at MCLK	T	1.8 V to 3.6 V	40%	50%	60%	
t <sub>START</sub>	REFO start-up time	40% to 60% duty cycle, HP mode (REFLP = 0)	T	3.0 V		72		μs
		40% to 60% duty cycle, LP mode (REFLP = 1)	T	3.0 V		75		

(1) Calculated using the box method: (MAX(–40°C to 105°C) – MIN(–40°C to 105°C)) / MIN(–40°C to 105°C) / (105°C – (–40°C))

(2) Calculated using the box method: (MAX(1.8 V to 3.6 V) – MIN(1.8 V to 3.6 V)) / MIN(1.8 V to 3.6 V) / (3.6 V – 1.8 V)

Table 5-8 lists the characteristics of the VLO.

**Table 5-8. Internal Very-Low-Power Low-Frequency Oscillator (VLO)**

over recommended ranges of supply voltage and operating free-air temperature (unless otherwise noted)

PARAMETER		TEST CONDITIONS	DEVICE GRADE	V <sub>CC</sub>	MIN	TYP	MAX	UNIT
f <sub>VLO</sub>	VLO frequency	Measured at MCLK	T	3.0 V		10		kHz
df <sub>VLO</sub> /dT	VLO frequency temperature drift	Measured at MCLK <sup>(1)</sup>	T	3.0 V		0.5		%/°C
df <sub>VLO</sub> /dV <sub>CC</sub>	VLO frequency supply voltage drift	Measured at MCLK <sup>(2)</sup>	T	1.8 V to 3.6 V		4		%/V
f <sub>VLO,DC</sub>	Duty cycle	Measured at MCLK	T	3.0 V		50%		

(1) Calculated using the box method: (MAX(–40°C to 105°C) – MIN(–40°C to 105°C)) / MIN(–40°C to 105°C) / (105°C – (–40°C))

(2) Calculated using the box method: (MAX(1.8 V to 3.6 V) – MIN(1.8 V to 3.6 V)) / MIN(1.8 V to 3.6 V) / (3.6 V – 1.8 V)

#### NOTE

The VLO clock frequency is reduced by 15% (typical) when the device switches from active mode to LPM3 or LPM4, because the reference changes. This lower frequency is not a violation of the VLO specifications (see Table 5-8).

Table 5-9 lists the characteristics of the MODOSC.

**Table 5-9. Module Oscillator (MODOSC)**

over recommended ranges of supply voltage and operating free-air temperature (unless otherwise noted)

PARAMETER		DEVICE GRADE	V <sub>CC</sub>	MIN	TYP	MAX	UNIT
f <sub>MODOSC</sub>	MODOSC frequency	T	3.0 V	3.0	3.8	4.6	MHz
f <sub>MODOSC</sub> /dT	MODOSC frequency temperature drift <sup>(1)</sup>	T	3.0 V		0.102		%/°C
f <sub>MODOSC</sub> /dV <sub>CC</sub>	MODOSC frequency supply voltage drift	T	1.8 V to 3.6 V		1.17		%/V
f <sub>MODOSC,DC</sub>	Duty cycle	T	3.0 V	40%	50%	60%	

(1) Calculated using the box method: (MAX(−40°C to 105°C) – MIN(−40°C to 105°C)) / MIN(−40°C to 105°C) / (105°C – (−40°C))

### 5.12.4 Internal Shared Reference

Table 5-10 lists the characteristics of the internal shared reference.

**Table 5-10. Internal Shared Reference**

over recommended ranges of supply voltage and operating free-air temperature (unless otherwise noted)

PARAMETER	TEST CONDITIONS	DEVICE GRADE	V <sub>CC</sub>	MIN	TYP	MAX	UNIT
V <sub>SENSOR</sub>	Temperature sensor voltage T <sub>J</sub> = 30°C	T	2.0 V, 3.0 V		788		mV
T <sub>CSENSOR</sub>	Temperature sensor coefficient T <sub>J</sub> = 30°C	T			2.32		mV/°C
V <sub>eCOMP, LP</sub>	Low-power threshold for eCOMP T <sub>J</sub> = 30°C	T	2.0 V, 3.0 V		1.20		V
V <sub>REF+, Output</sub>	Positive output reference at VREF+ pin T <sub>J</sub> = 30°C	T	2.0 V, 3.0 V		1.20		V
The following parameters are for the 1.5-V, 2.0-V, and 2.5-V internal reference only and cannot be output to the VREF+ pin.							
V <sub>REF+, built-in</sub>	Positive built-in reference voltage as internal reference	REFVSEL = {2} for 2.5 V, INTREFEN = 1	T	3.0 V	2.5	±1.5%	V
		REFVSEL = {1} for 2.0 V, INTREFEN = 1	T	2.5 V	2.0	±1.5%	
		REFVSEL = {0} for 1.5 V, INTREFEN = 1	T	1.8 V	1.5	±1.8%	
Noise	RMS noise at VREF <sup>(1)</sup> From 0.1 Hz to 10 Hz, REFVSEL = {0}	T			30	130	μV
V <sub>OS_BUF_INT</sub>	VREF ADC BUF_INT buffer offset <sup>(2)</sup> T <sub>A</sub> = 25 °C, ADC ON, REFVSEL = {0}, INTREFEN = 1, EXTREFEN=0	T			−16	+16	mV
V <sub>OS_BUF_EXT</sub>	VREF ADC BUF_EXT buffer offset <sup>(3)</sup> T <sub>A</sub> = 25 °C, REFVSEL = {0}, EXTREFEN = 1, INTREFEN = 1 or ADC ON	T			−16	+16	mV
DV <sub>CC(min)</sub>	DVCC minimum voltage, Positive built-in reference active	REFVSEL = {0} for 1.5 V	T		1.8		V
		REFVSEL = {1} for 2.0 V	T		2.2		
		REFVSEL = {2} for 2.5 V	T		2.7		
I <sub>REF+</sub>	Operating supply current into DVCC terminal <sup>(4)</sup> INTREFEN = 1	T	3 V		19	26	μA
I <sub>REF+_ADC_BUF</sub>	Operating supply current into DVCC terminal <sup>(4)</sup> ADC ON, EXTREFEN = 0, REFVSEL = {0, 1, 2}	T	3 V		247	400	μA

(1) Internal reference noise affects ADC performance when ADC uses internal reference.

(2) Buffer offset affects ADC gain error and thus total unadjusted error.

(3) Buffer offset affects ADC gain error and thus total unadjusted error.

(4) The internal reference current is supplied through the DVCC terminal.

**Table 5-10. Internal Shared Reference (continued)**

over recommended ranges of supply voltage and operating free-air temperature (unless otherwise noted)

PARAMETER		TEST CONDITIONS	DEVICE GRADE	V <sub>CC</sub>	MIN	TYP	MAX	UNIT
I <sub>O(VREF+)</sub>	VREF maximum load current, VREF+ terminal	REFVSEL = {0, 1, 2}, DV <sub>CC</sub> = DV <sub>CC(min)</sub> for each reference level, INTREFEN = EXTREFEN = 1	T	3 V	-1000		+10	μA
ΔV <sub>out</sub> / ΔI <sub>O(VREF+)</sub>	Load-current regulation, VREF+ terminal	REFVSEL = {0, 1, 2}, I <sub>O(VREF+)</sub> = +10 μA or -1000 μA, DV <sub>CC</sub> = DV <sub>CC(min)</sub> for each reference level, INTREFEN = EXTREFEN = 1	T	3 V			1500	μV/mA
C <sub>VREF+/-</sub>	Capacitance at VREF+ and VREF- terminals	INTREFEN = EXTREFEN = 1	T	3 V	0		100	pF
TC <sub>REF+</sub>	Temperature coefficient of built-in reference	REFVSEL = {0, 1, 2}, INTREFEN = EXTREFEN = 1, T <sub>A</sub> = -40°C to 105°C <sup>(5)</sup>	T	3 V		24	50	ppm/K
PSRR <sub>DC</sub>	Power supply rejection ratio (DC)	DV <sub>CC</sub> = DV <sub>CC(min)</sub> to DV <sub>CC(max)</sub> , T <sub>A</sub> = 25°C, REFVSEL = {0, 1, 2}, INTREFEN = EXTREFEN = 1	T	3 V		100	400	μV/V
PSRR <sub>AC</sub>	Power supply rejection ratio (ac)	dDV <sub>CC</sub> = 0.1 V at 1 kHz	T	3 V		3.0		mV/V
t <sub>SETTLE</sub>	Settling time of reference voltage <sup>(6)</sup>	DV <sub>CC</sub> = DV <sub>CC(min)</sub> to DV <sub>CC(max)</sub> , REFVSEL = {0, 1, 2}, INTREFEN = 0 → 1	T	3 V		75	100	μs

(5) Calculated using the box method: (MAX(-40°C to 105°C) – MIN(-40°C to 105°C)) / MIN(-40°C to 105°C) / (105°C – (-40°C))

(6) The condition is that the error in a conversion started after t<sub>REFON</sub> is less than ±0.5 LSB.

### 5.12.5 General-Purpose I/Os

Table 5-11 lists the characteristics of the digital inputs.

**Table 5-11. Digital Inputs**

over recommended ranges of supply voltage and operating free-air temperature (unless otherwise noted)

PARAMETER	TEST CONDITIONS	DEVICE GRADE	V <sub>CC</sub>	MIN	TYP	MAX	UNIT
V <sub>IT+</sub>	Positive-going input threshold voltage	T	2.0 V	0.90		1.50	V
		T	3.0 V	1.35		2.25	
V <sub>IT-</sub>	Negative-going input threshold voltage	T	2.0 V	0.50		1.10	V
		T	3.0 V	0.75		1.65	
V <sub>hys</sub>	Input voltage hysteresis (V <sub>IT+</sub> – V <sub>IT-</sub> )	T	2.0 V	0.3		0.8	V
		T	3.0 V	0.4		1.2	
R <sub>Pull</sub>	Pullup or pulldown resistor			20	35	50	kΩ
C <sub>I,dig</sub>	Input capacitance, digital only port pins				3		pF
C <sub>I,ana</sub>	Input capacitance, port pins with shared analog functions				5		pF
I <sub>lkg(Px.y)</sub>	High-impedance leakage current <sup>(1)(2)</sup>	T	2.0 V, 3.0 V	-30		+30	nA
t <sub>(int)</sub>	External interrupt timing (external trigger pulse duration to set interrupt flag) <sup>(3)</sup>				50		ns

(1) The leakage current is measured with V<sub>SS</sub> or V<sub>CC</sub> applied to the corresponding pins, unless otherwise noted.

(2) The leakage of the digital port pins is measured individually. The port pin is selected for input and the pullup or pulldown resistor is disabled.

(3) An external signal sets the interrupt flag every time the minimum interrupt pulse duration t<sub>(int)</sub> is met. It can be set by trigger signals shorter than t<sub>(int)</sub>.

Table 5-12 lists the characteristics of the digital outputs.

**Table 5-12. Digital Outputs**

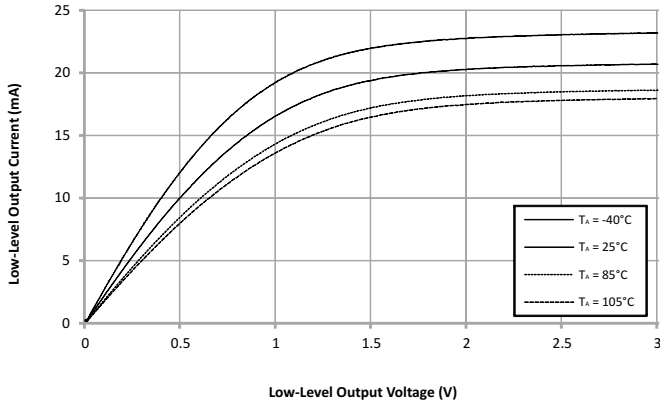
over recommended ranges of supply voltage and operating free-air temperature (unless otherwise noted)

PARAMETER	TEST CONDITIONS	DEVICE GRADE	V <sub>CC</sub>	MIN	TYP	MAX	UNIT
V <sub>OH</sub>	High-level output voltage	T	2.0 V	1.4		2.0	V
		T	3.0 V	2.4		3.0	
V <sub>OL</sub>	Low-level output voltage	T	2.0 V	0.0		0.60	V
		T	3.0 V	0.0		0.60	
f <sub>Port_CLK</sub>	Clock output frequency	T	2.0 V	16			MHz
		T	3.0 V	16			
		T	2.0 V	24			
		T	3.0 V	24			
t <sub>rise,dig</sub>	Port output rise time, digital only port pins	T	2.0 V		10		ns
		T	3.0 V		7		
t <sub>fall,dig</sub>	Port output fall time, digital only port pins	T	2.0 V		10		ns
		T	3.0 V		5		

(1) The maximum total current, I<sub>(OHmax)</sub> and I<sub>(OLmax)</sub>, for all outputs combined should not exceed ±48 mA to hold the maximum voltage drop specified.

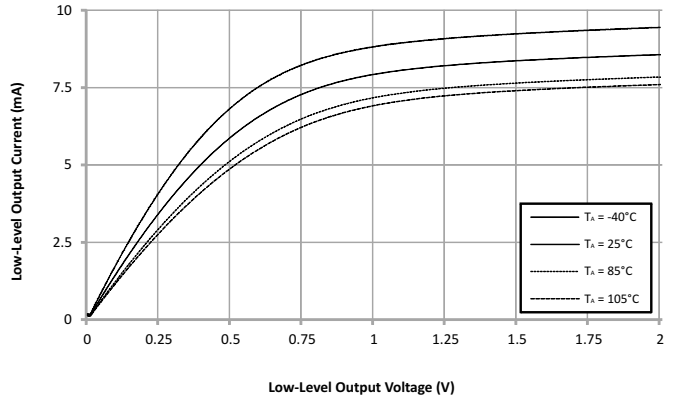
(2) The port can output frequencies at least up to the specified limit and might support higher frequencies.

5.12.6 Digital I/O Typical Characteristics



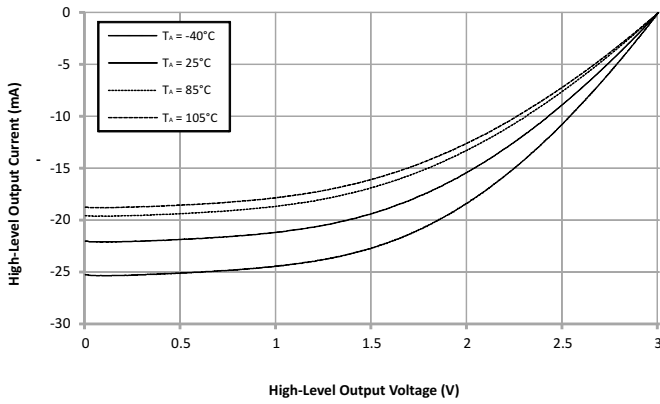
DVCC = 3 V

Figure 5-7. Typical Low-Level Output Current vs Low-Level Output Voltage



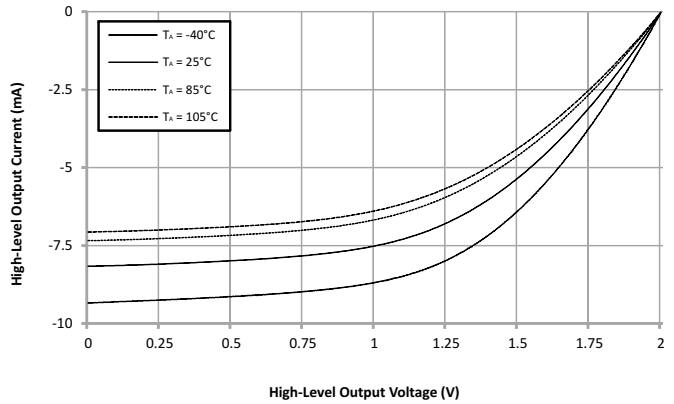
DVCC = 2 V

Figure 5-8. Typical Low-Level Output Current vs Low-Level Output Voltage



DVCC = 3 V

Figure 5-9. Typical High-Level Output Current vs High-Level Output Voltage



DVCC = 2 V

Figure 5-10. Typical High-Level Output Current vs High-Level Output Voltage



### 5.12.7 Timer\_B

Table 5-13 lists the frequency characteristics of Timer\_B.

**Table 5-13. Timer\_B**

over recommended ranges of supply voltage and operating free-air temperature (unless otherwise noted)

PARAMETER		TEST CONDITIONS	DEVICE GRADE	V <sub>CC</sub>	MIN	TYP	MAX	UNIT
f <sub>TB</sub>	Timer_B input clock frequency	Internal: SMCLK or ACLK, External: TBCLK, Duty cycle = 50% ±10%	T	2.0 V, 3.0 V			24	MHz
t <sub>TB,cap</sub>	Timer_B capture timing	All capture inputs, minimum pulse duration required for capture	T	2.0 V, 3.0 V	20			ns

### 5.12.8 eUSCI

Table 5-14 lists the supported frequencies of the eUSCI in UART mode.

**Table 5-14. eUSCI (UART Mode) Clock Frequencies**

over recommended ranges of supply voltage and operating free-air temperature (unless otherwise noted)

PARAMETER		TEST CONDITIONS	DEVICE GRADE	V <sub>CC</sub>	MIN	TYP	MAX	UNIT
f <sub>eUSCI</sub>	eUSCI input clock frequency	Internal: SMCLK or MODCLK, External: UCLK, Duty cycle = 50% ±10%	T	2.0 V, 3.0 V			24	MHz
f <sub>BITCLK</sub>	BITCLK clock frequency (equals baud rate in Mbaud)		T	2.0 V, 3.0 V			5	MHz

Table 5-15 lists the switching characteristics of the eUSCI in UART mode.

**Table 5-15. eUSCI (UART Mode) Switching Characteristics**

over recommended ranges of supply voltage and operating free-air temperature (unless otherwise noted)

PARAMETER		TEST CONDITIONS	DEVICE GRADE	V <sub>CC</sub>	MIN	TYP	MAX	UNIT
t <sub>t</sub>	UART receive deglitch time <sup>(1)</sup>	UCGLITx = 0	T	2.0 V, 3.0 V		12		ns
		UCGLITx = 1				40		
		UCGLITx = 2				68		
		UCGLITx = 3				110		

(1) Pulses on the UART receive input (UCxRX) shorter than the UART receive deglitch time are suppressed. To make sure that pulses are correctly recognized their width should exceed the maximum specification of the deglitch time.

Table 5-16 lists the supported frequencies of the eUSCI in SPI master mode.

**Table 5-16. eUSCI (SPI Master Mode) Clock Frequency**

over recommended ranges of supply voltage and operating free-air temperature (unless otherwise noted)

PARAMETER		TEST CONDITIONS	DEVICE GRADE	V <sub>CC</sub>	MIN	TYP	MAX	UNIT
f <sub>eUSCI</sub>	eUSCI input clock frequency	Internal: SMCLK, Duty cycle = 50% ±10%	T				8	MHz

Table 5-17 lists the switching characteristics of the eUSCI in SPI master mode.

**Table 5-17. eUSCI (SPI Master Mode) Switching Characteristics**

over recommended ranges of supply voltage and operating free-air temperature (unless otherwise noted)<sup>(1)</sup>

PARAMETER		TEST CONDITIONS	DEVICE GRADE	V <sub>CC</sub>	MIN	TYP	MAX	UNIT
t <sub>STE,LEAD</sub>	STE lead time, STE active to clock	UCSTEM = 1, UCMODE <sub>X</sub> = 01 or 10	T		1			UCxCLK cycles
t <sub>STE,LAG</sub>	STE lag time, Last clock to STE inactive	UCSTEM = 1, UCMODE <sub>X</sub> = 01 or 10	T		1			UCxCLK cycles
t <sub>SU,MI</sub>	SOMI input data setup time		T	2.0 V	60			ns
				3.0 V	42			
t <sub>HD,MI</sub>	SOMI input data hold time		T	2.0 V	0			ns
				3.0 V	0			
t <sub>VALID,MO</sub>	SIMO output data valid time <sup>(2)</sup>	UCLK edge to SIMO valid, C <sub>L</sub> = 20 pF	T	2.0 V			20	ns
				3.0 V			20	
t <sub>HD,MO</sub>	SIMO output data hold time <sup>(3)</sup>	C <sub>L</sub> = 20 pF	T	2.0 V	-9.0			ns
				3.0 V	-6.0			

- (1)  $f_{UCxCLK} = 1/2t_{LO/HI}$  with  $t_{LO/HI} = \max(t_{VALID,MO(eUSCI)} + t_{SU,SI(Slave)}, t_{SU,MI(eUSCI)} + t_{VALID,SO(Slave)})$   
For the slave parameters  $t_{SU,SI(Slave)}$  and  $t_{VALID,SO(Slave)}$ , see the SPI parameters of the attached slave.
- (2) Specifies the time to drive the next valid data to the SIMO output after the output changing UCLK clock edge. See the timing diagrams in Figure 5-11 and Figure 5-12.
- (3) Specifies how long data on the SIMO output is valid after the output changing UCLK clock edge. Negative values indicate that the data on the SIMO output can become invalid before the output changing clock edge observed on UCLK. See the timing diagrams in Figure 5-11 and Figure 5-12.

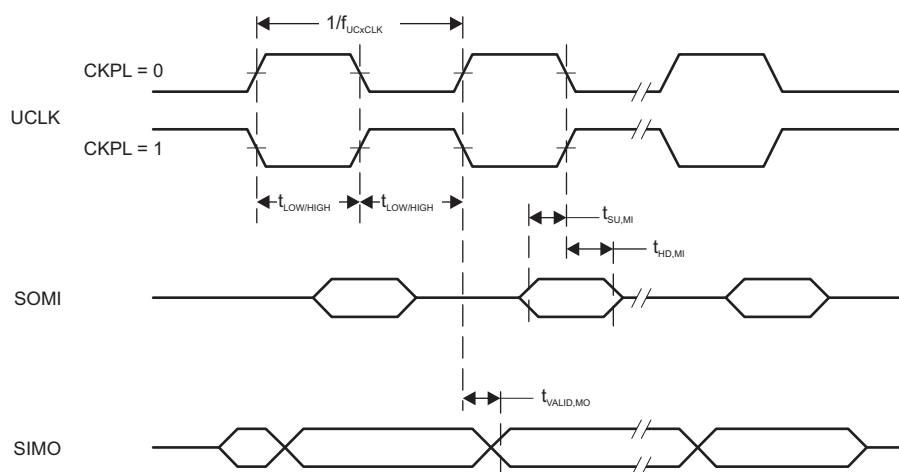


Figure 5-11. SPI Master Mode, CKPH = 0

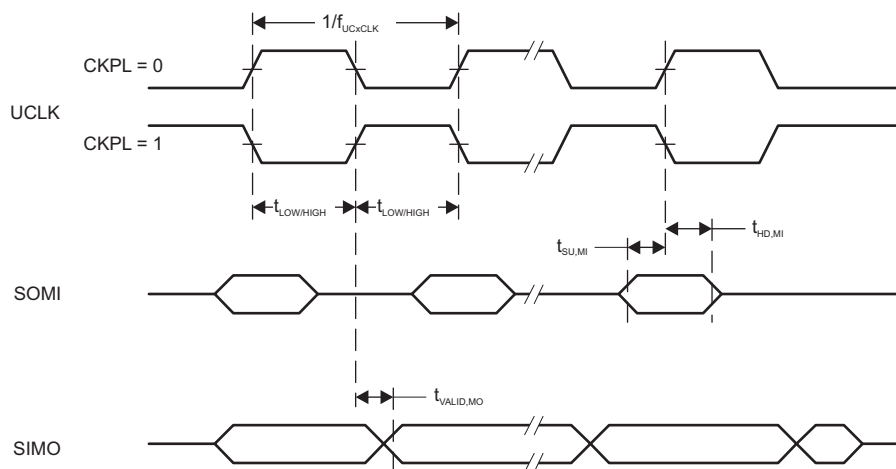


Figure 5-12. SPI Master Mode, CKPH = 1

Table 5-18 lists the switching characteristics of the eUSCI in SPI slave mode.

**Table 5-18. eUSCI (SPI Slave Mode) Switching Characteristics**

over recommended ranges of supply voltage and operating free-air temperature (unless otherwise noted)<sup>(1)</sup>

PARAMETER	TEST CONDITIONS	DEVICE GRADE	V <sub>CC</sub>	MIN	TYP	MAX	UNIT
t <sub>STE,LEAD</sub> STE lead time, STE active to clock		T	2.0 V	55			ns
			3.0 V	45			
t <sub>STE,LAG</sub> STE lag time, last clock to STE inactive		T	2.0 V	20			ns
			3.0 V	20			
t <sub>STE,ACC</sub> STE access time, STE active to SOMI data out		T	2.0 V			65	ns
			3.0 V			40	
t <sub>STE,DIS</sub> STE disable time, STE inactive to SOMI high impedance		T	2.0 V			40	ns
			3.0 V			35	
t <sub>SU,SI</sub> SIMO input data setup time		T	2.0 V	10			ns
			3.0 V	6			
t <sub>HD,SI</sub> SIMO input data hold time		T	2.0 V	12			ns
			3.0 V	12			
t <sub>VALID,SO</sub> SOMI output data valid time <sup>(2)</sup>	UCLK edge to SOMI valid, C <sub>L</sub> = 20 pF	T	2.0 V			69	ns
			3.0 V			42	
t <sub>HD,SO</sub> SOMI output data hold time <sup>(3)</sup>	C <sub>L</sub> = 20 pF	T	2.0 V	5			ns
			3.0 V	5			

(1)  $f_{UCXCLK} = 1/2t_{LO/HI}$  with  $t_{LO/HI} \geq \max(t_{VALID,MO(Master)} + t_{SU,SI(eUSCI)}, t_{SU,MI(Master)} + t_{VALID,SO(eUSCI)})$

For the master parameters  $t_{SU,MI(Master)}$  and  $t_{VALID,MO(Master)}$ , see the SPI parameters of the attached master.

(2) Specifies the time to drive the next valid data to the SOMI output after the output changing UCLK clock edge. See the timing diagrams in [Figure 5-13](#) and [Figure 5-14](#).

(3) Specifies how long data on the SOMI output is valid after the output changing UCLK clock edge. See the timing diagrams in [Figure 5-13](#) and [Figure 5-14](#).

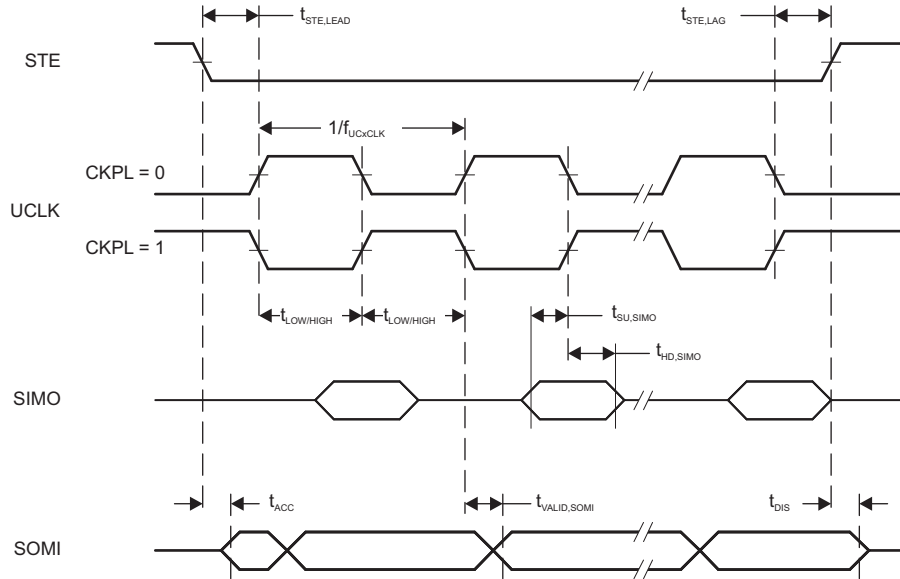


Figure 5-13. SPI Slave Mode, CKPH = 0

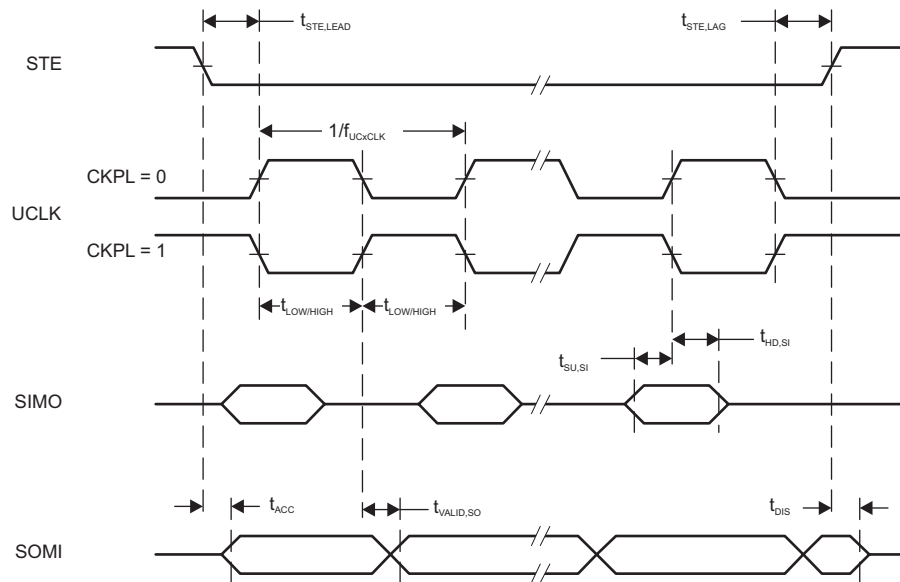


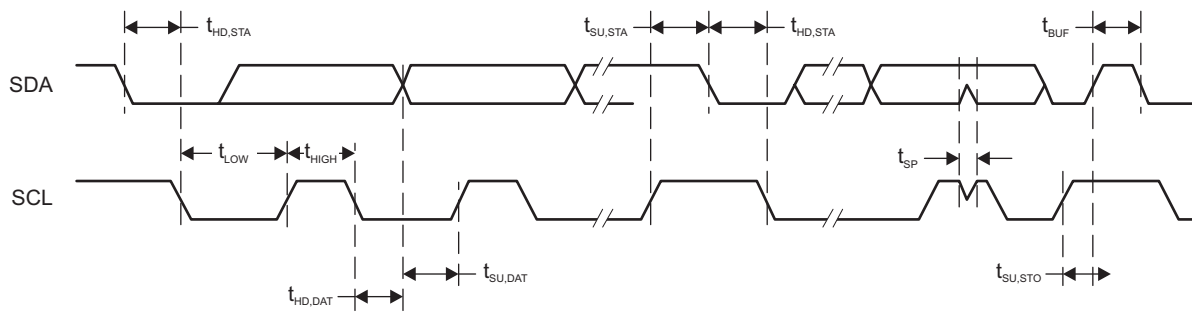
Figure 5-14. SPI Slave Mode, CKPH = 1

Table 5-19 lists the switching characteristics of the eUSCI in I<sup>2</sup>C mode.

**Table 5-19. eUSCI (I<sup>2</sup>C Mode) Switching Characteristics**

over recommended ranges of supply voltage and operating free-air temperature (unless otherwise noted) (see Figure 5-15)

PARAMETER	TEST CONDITIONS	DEVICE GRADE	V <sub>CC</sub>	MIN	TYP	MAX	UNIT	
f <sub>eUSCI</sub>	eUSCI input clock frequency	Internal: SMCLK or MODCLK, External: UCLK Duty cycle = 50% ±10%	T	2.0 V, 3.0 V		24	MHz	
f <sub>SCL</sub>	SCL clock frequency		T	2.0 V, 3.0 V	0	400	kHz	
t <sub>HD,STA</sub>	Hold time (repeated) START	f <sub>SCL</sub> = 100 kHz f <sub>SCL</sub> > 100 kHz	T	2.0 V, 3.0 V	4.0 0.6		µs	
t <sub>SU,STA</sub>	Setup time for a repeated START	f <sub>SCL</sub> = 100 kHz f <sub>SCL</sub> > 100 kHz	T	2.0 V, 3.0 V	4.7 0.6		µs	
t <sub>HD,DAT</sub>	Data hold time		T	2.0 V, 3.0 V	0		ns	
t <sub>SU,DAT</sub>	Data setup time		T	2.0 V, 3.0 V	250		ns	
t <sub>SU,STO</sub>	Setup time for STOP	f <sub>SCL</sub> = 100 kHz f <sub>SCL</sub> > 100 kHz	T	2.0 V, 3.0 V	4.0 0.6		µs	
t <sub>SP</sub>	Pulse duration of spikes suppressed by input filter	UCGLITx = 0	T	2.0 V, 3.0 V		50	600	ns
		UCGLITx = 1				25	300	
		UCGLITx = 2				12.5	150	
		UCGLITx = 3				6.3	75	
t <sub>TIMEOUT</sub>	Clock low time-out	UCCLTOx = 1	T	2.0 V, 3.0 V			36	ms
		UCCLTOx = 2					40	
		UCCLTOx = 3					44	



**Figure 5-15. I<sup>2</sup>C Mode Timing**

## 5.12.9 ADC

Table 5-20 lists the input characteristics of the ADC.

**Table 5-20. ADC, Power Supply and Input Range Conditions**

over operating free-air temperature range (unless otherwise noted)

PARAMETER	TEST CONDITIONS	DEVICE GRADE	V <sub>CC</sub>	MIN	TYP	MAX	UNIT
DV <sub>CC</sub> ADC supply voltage <sup>(1)</sup>		T		2.0		3.6	V
V <sub>(Ax)</sub> Analog input voltage range	All ADC pins	T		0		DV <sub>CC</sub>	V
I <sub>ADC</sub> Operating supply current into DV <sub>CC</sub> terminal, reference current not included, repeat-single-channel mode	f <sub>ADCCLK</sub> = 5 MHz, ADCON = 1, REFON = 0, SHT0 = 0, SHT1 = 0, ADCDIV = 0, ADCCONSEQ <sub>x</sub> = 10b	T	2.0 V		185		μA
			3.0 V		280		
C <sub>I</sub> Input capacitance	Only one terminal Ax can be selected at one time from the pad to the ADC capacitor array, including wiring and pad	T	2.2 V		4.5	5.5	pF
R <sub>I</sub> Input MUX ON resistance	DV <sub>CC</sub> = 2 V, 0 V ≤ V <sub>Ax</sub> ≤ DV <sub>CC</sub>	T				2	kΩ

(1) This specifies the ADC functional range with 8-bit resolution at 8-bit ENOB. Table 5-22 specifies 10- and 12-bit linearity parameters for better ENOB requirements.

Table 5-21 lists the timing parameters of the ADC.

**Table 5-21. ADC, Timing Parameters**

over operating free-air temperature range (unless otherwise noted)

PARAMETER	TEST CONDITIONS	DEVICE GRADE	V <sub>CC</sub>	MIN	TYP	MAX	UNIT
f <sub>ADCCLK</sub> ADC clock frequency	ADC clock, 10-bit mode	T	2.4 V to 3.6 V			6.0	MHz
	ADC clock, 12-bit mode					4.4	
t <sub>Settling</sub> Turn-on settling time of the ADC	The error in a conversion started after t <sub>ADCON</sub> is less than ±0.5 LSB, Reference and input signal already settled	T				100	ns
t <sub>Sample</sub> Sampling time <sup>(1)</sup>	R <sub>S</sub> = 1000 Ω, R <sub>I</sub> = 4000 Ω, C <sub>I</sub> = 5.5 pF, C <sub>external</sub> = 8.0 pF, Approximately 7.62 Tau (τ) are required for an error of less than ±0.5 LSB, 10-bit mode <sup>(2)</sup>	T	2.4 V to 3.6 V	0.52			μs
	R <sub>S</sub> = 1000 Ω, R <sub>I</sub> = 4000 Ω, C <sub>I</sub> = 5.5 pF, C <sub>external</sub> = 8.0 pF, Approximately 9.01 Tau (τ) are required for an error of less than ±0.5 LSB, 12-bit mode <sup>(2)</sup>	T	2.4 V to 3.6 V	0.61			

(1) This excludes the ADC conversion time. The ADC conversion time is specified as (N + 2) × 1/f<sub>ADCCLK</sub>.

(2) t<sub>Sample</sub> = ln(2<sup>n+1</sup>) × τ, where n = ADC resolution, τ = (R<sub>I</sub> + R<sub>S</sub>) × C<sub>I</sub>

Table 5-22 lists the linearity parameters of the ADC.

**Table 5-22. ADC, Linearity Parameters**

over operating free-air temperature range (unless otherwise noted)

PARAMETER		TEST CONDITIONS	DEVICE GRADE	V <sub>CC</sub>	MIN	TYP	MAX	UNIT
E <sub>I</sub>	Integral linearity error(12-bit mode)	V <sub>ref+</sub> reference	T	2.4 V to 3.6 V	-2.5		2.5	LSB
	Integral linearity error (10-bit mode)	V <sub>ref+</sub> reference			-2		2	
E <sub>D</sub>	Differential linearity error(12-bit mode)	V <sub>ref+</sub> reference	T	2.4 V to 3.6 V	-1		1	LSB
	Differential linearity error (10-bit mode)	V <sub>ref+</sub> reference			-1		1	
E <sub>O</sub>	Offset error(12-bit mode)	V <sub>ref+</sub> reference	T	2.4 V to 3.6 V	-1.5		1.5	mV
	Offset error (10-bit mode)	V <sub>ref+</sub> reference			-6.0		6.0	
E <sub>G</sub>	Gain error (12-bit mode)	V <sub>ref+</sub> as reference	T	2.4 V to 3.6 V	-3.0		3.0	LSB
	Gain error (10-bit mode)	V <sub>ref+</sub> as reference			-1.5		1.5	
E <sub>T</sub>	Total unadjusted error (12-bit mode)	V <sub>ref+</sub> as reference	T	2.4 V to 3.6 V	-4.0		4.0	LSB
	Total unadjusted error (10-bit mode)	V <sub>ref+</sub> as reference			-2.0		2.0	



### 5.12.10 Enhanced Comparator (eCOMP)

Table 5-23 lists the characteristics of eCOMP0.

**Table 5-23. eCOMP0**

over recommended ranges of supply voltage and operating free-air temperature (unless otherwise noted)

PARAMETER		TEST CONDITIONS	DEVICE GRADE	MIN	TYP	MAX	UNIT
V <sub>CC</sub>	Supply voltage		T	2.0		3.6	V
V <sub>IC</sub>	Common mode input range		T	0		V <sub>CC</sub>	V
V <sub>HYS</sub>	DC input hysteresis	CPEN = 1, CPHSEL= 00	T		0		mV
		CPEN = 1, CPHSEL= 01			10		
		CPEN = 1, CPHSEL= 10			20		
		CPEN = 1, CPHSEL= 11			30		
V <sub>OFFSET</sub>	Input offset voltage	CPEN = 1, CPMSEL = 0	T	-30		+30	mV
		CPEN = 1, CPMSEL = 1		-40		+40	
I <sub>COMP</sub>	Quiescent current draw from V <sub>CC</sub> , only Comparator	V <sub>IC</sub> = V <sub>CC</sub> /2, CPEN = 1, CPMSEL = 0	T		24	35	μA
		V <sub>IC</sub> = V <sub>CC</sub> /2, CPEN = 1, CPMSEL = 1			1.6	5	
C <sub>IN</sub>	Input channel capacitance <sup>(1)</sup>		T		1		pF
R <sub>IN</sub>	Input channel series resistance	On (switch closed)	T		10	20	kΩ
		Off (switch open)			50		MΩ
t <sub>PD</sub>	Propagation delay, response time	CPMSEL = 0, CPFLT = 0, Overdrive = 20 mV	T			1	μs
		CPMSEL = 1, CPFLT = 0, Overdrive = 20 mV			3.2		
t <sub>EN_CP</sub>	Comparator enable time	CPEN = 0→1, CPMSEL = 0, V+ and V- from pads, Overdrive = 20 mV	T		8.5		μs
		CPEN = 0→1, CPMSEL = 1, V+ and V- from pads, Overdrive = 20 mV			1.4		
t <sub>EN_CP_DAC</sub>	Comparator with reference DAC enable time	CPEN = 0→1, CPDACEN = 0→1, CPMSEL = 0, CPDACCREFS = 1, CPDACCBUF1 = 0F, Overdrive = 20 mV	T		8.5		μs
		CPEN = 0→1, CPDACEN = 0→1, CPMSEL = 1, CPDACCREFS = 1, CPDACCBUF1 = 0F, Overdrive = 20 mV			101		
t <sub>FDLY</sub>	Propagation delay with analog filter active	CPMSEL = 0, CPFLTDY = 00, Overdrive = 20 mV, CPFLT = 1	T		0.7		μs
		CPMSEL = 0, CPFLTDY = 01, Overdrive = 20 mV, CPFLT = 1			1.1		
		CPMSEL = 0, CPFLTDY = 10, Overdrive = 20 mV, CPFLT = 1			1.9		
		CPMSEL = 0, CPFLTDY = 11, Overdrive = 20 mV, CPFLT = 1			3.4		
INL	Integral nonlinearity		T	-0.5		0.5	LSB
DNL	Differential nonlinearity		T	-0.5		0.5	LSB

(1) For details on the eCOMP C<sub>IN</sub>, model, see Figure 5-16.

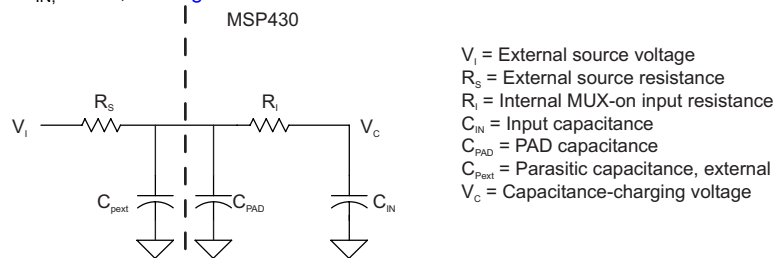
Table 5-24 lists the characteristics of eCOMP1.

**Table 5-24. eCOMP1**

over recommended ranges of supply voltage and operating free-air temperature (unless otherwise noted)

PARAMETER	TEST CONDITIONS	DEVICE GRADE	MIN	TYP	MAX	UNIT
V <sub>CC</sub>	Supply voltage	T	2.0		3.6	V
V <sub>IC</sub>	Common mode input range	T	0		V <sub>CC</sub>	V
V <sub>HYS</sub>	DC input hysteresis	T		0		mV
				10		
				20		
				30		
V <sub>OFFSET</sub>	Input offset voltage	T		-30	+30	mV
				-40	+40	
I <sub>COMP</sub>	Quiescent current draw from V <sub>CC</sub> , only Comparator	T		162	209	μA
				20	30	
C <sub>IN</sub>	Input channel capacitance <sup>(1)</sup>	T		1		pF
R <sub>IN</sub>	Input channel series resistance	T		1	5	kΩ
				50		
t <sub>PD</sub>	Propagation delay, response time	T			0.1	μs
				0.32		
t <sub>EN_CP</sub>	Comparator enable time	T		8.5		μs
				4.8		
t <sub>EN_CP_DAC</sub>	Comparator with reference DAC enable time	T		8.5		μs
				101		
t <sub>FDLY</sub>	Propagation delay with analog filter active	T		150		ns
				350		
				1000		
				1900		
INL	Integral nonlinearity	T	-0.5		0.5	LSB
DNL	Differential nonlinearity	T	-0.5		0.5	LSB

(1) For details on the eCOMP C<sub>IN</sub> model, see Figure 5-16.



**Figure 5-16. eCOMP Input Circuit**

### 5.12.11 Smart Analog Combo (SAC) (MSP430FR235x Devices Only)

Table 5-25 lists the characteristics of the SAC OA.

**Table 5-25. SAC, OA**

over recommended ranges of supply voltage and operating free-air temperature (unless otherwise noted)

PARAMETER		TEST CONDITIONS	DEVICE GRADE	MIN	TYP	MAX	UNIT
$V_{CC}$	Supply voltage		T	2.0		3.6	V
$V_{OS}$	Input offset voltage		T	-5		5	mV
$dV_{OS}/dT$	Offset drift	OAPM = 0 <sup>(1)</sup>	T		3		$\mu V/^{\circ}C$
		OAPM = 1 <sup>(1)</sup>			5		
$I_B$	Input bias current		T		50		$\mu A$
$V_{CM}$	Input voltage range		T	-0.1		$V_{CC} + 0.1$	V
$I_{IDD}$	Quiescent current	OAPM = 0	T		350		$\mu A$
		OAPM = 1			120		
$E_{NI}$	Input noise voltage	f = 0.1 Hz to 10 Hz, $V_{in} = V_{CC}/2$ , OAPM = 0	T		40		$\mu V$
		Input noise voltage density		f = 1 kHz, $V_{in} = V_{CC}/2$ , OAPM = 0		64	
	f = 10 kHz, $V_{in} = V_{CC}/2$ , OAPM = 0				28		
CMRR	Common-mode rejection ratio	OAPM = 0	T		70		dB
		OAPM = 1			80		
PSRR	Power supply rejection ratio	OAPM = 0	T		70		dB
		OAPM = 1			80		
GBW	Gain-bandwidth	OAPM = 0	T		2.8		MHz
		OAPM = 1			1.0		
$A_{OL}$	Open-loop voltage gain	OAPM = 0	T		100		dB
		OAPM = 1			100		
$\phi_M$	Phase margin	$C_L = 50 \text{ pF}$ , $R_L = 2 \text{ k}\Omega$	T		65		deg
	Positive slew rate	$C_L = 50 \text{ pF}$ , OAPM = 0, step = 1	T		3		V/ $\mu s$
		$C_L = 50 \text{ pF}$ , OAPM = 1, step = 1			1		
$C_{in}$	Input capacitance	Common mode	T		3		pF
$V_O$	Voltage output swing from supply rails	$R_L = 10 \text{ k}\Omega$	T		40	100	mV
$t_{ST}$	OA settling time	To 0.1% final value, G = +1, 1-V setup $C_L = 50 \text{ pF}$ , OAPM = 0	T		1		$\mu s$
		To 0.1% final value, G = +1, 1-V setup $C_L = 50 \text{ pF}$ , OAPM = 1			4.5		
THD	Total harmonic distortion	All gains	T		-60		dB

(1) Calculated using the box method:  $(MAX(-40^{\circ}C \text{ to } 105^{\circ}C) - MIN(-40^{\circ}C \text{ to } 105^{\circ}C)) / MIN(-40^{\circ}C \text{ to } 105^{\circ}C) / (105^{\circ}C - (-40^{\circ}C))$

**Table 5-25. SAC, OA (continued)**

over recommended ranges of supply voltage and operating free-air temperature (unless otherwise noted)

PARAMETER	TEST CONDITIONS	DEVICE GRADE	MIN	TYP	MAX	UNIT
$G_{\text{close loop}}$ PGA closed-loop gain	Gain = 1, inverting mode, follower mode	T	0.99	1	1.01	
	Gain = 2, noninverting mode	T	1.98	2	2.02	
	Gain = 2, inverting mode	T	1.98	2	2.02	
	Gain = 3, noninverting mode	T	2.97	3	3.03	
	Gain = 4, inverting mode	T	3.96	4	4.04	
	Gain = 5, noninverting mode	T	4.95	5	5.05	
	Gain = 8, inverting mode	T	7.92	8	8.08	
	Gain = 9, noninverting mode	T	8.91	9	9.09	
	Gain = 16, inverting mode	T	15.84	16	16.16	
	Gain = 17, noninverting mode	T	16.83	17	17.17	
	Gain = 25, inverting mode	T	24.75	25	25.25	
	Gain = 26, noninverting mode	T	25.74	26	26.26	
	Gain = 32, inverting mode	T	31.68	32	32.32	
Gain = 33, noninverting mode	T	32.67	33	33.33		

Table 5-26 lists the characteristics of the SAC DAC.

**Table 5-26. SAC, DAC**

over recommended ranges of supply voltage and operating free-air temperature (unless otherwise noted)

PARAMETER	TEST CONDITIONS	DEVICE GRADE	MIN	TYP	MAX	UNIT
$V_{\text{CC}}$ Supply voltage		T	2.4		3.6	V
$I_{\text{IDDR}}$ Quiescent current of resistor ladder into $V_{\text{REF\_INT}}$		T		5		$\mu\text{A}$
$I_{\text{LOAD}}$ OA + DAC output load current	Low-power mode	T		0.2		mA
	High-power mode			1		
$t_{\text{ST(FS)}}$ OA + DAC settling time, full scale	DACDAT = 0x80h→0xF7Fh→0x80h	OAPM = 1			477	$\mu\text{s}$
		OAPM = 0			160	
$t_{\text{ST(C-C)}}$ OA + DAC settling time, code to code	DACDAT = 0x3F8h→408h→0x3F8h or DACDAT = 0xBF8h→C08h→0xBF8h	OAPM = 1		2	10	$\mu\text{s}$
		OAPM = 0		2	5	
INL OA + DAC integral nonlinearity	DACSREF = DVCC, DVCC = 3.0 V	T	-4		4	LSB
DNL OA + DAC differential nonlinearity	DACSREF = DVCC, DVCC = 3.0 V	T	-1		1	LSB
$V_{\text{OUT}}$ Output voltage range	No load, DACSREF = DVCC, DACDAT = 0	T	0		0.005	V
	$R_{\text{LOAD}} = 3 \text{ k}\Omega$ , DACSREF = DVCC, DACDAT = 0		0		0.1	
	$R_{\text{LOAD}} = 3 \text{ k}\Omega$ , DACSREF = DVCC, DACDAT = 0FFFh		DVCC - 0.1		DVCC	

### 5.12.12 FRAM

Table 5-27 lists the characteristics of the FRAM.

**Table 5-27. FRAM**

over recommended ranges of supply voltage and operating free-air temperature (unless otherwise noted)

PARAMETER	TEST CONDITIONS	DEVICE GRADE	MIN	TYP	MAX	UNIT
Read and write endurance		T	10 <sup>15</sup>			cycles
t <sub>Retention</sub> Data retention duration	T <sub>J</sub> = 25°C	T	100			years
	T <sub>J</sub> = 70°C	T	40			
	T <sub>J</sub> = 115°C	T	10			
I <sub>WRITE</sub> Current to write into FRAM		T	I <sub>READ</sub> <sup>(1)</sup>	I <sub>READ</sub> <sup>(1)</sup>	I <sub>READ</sub> <sup>(1)</sup>	nA
I <sub>ERASE</sub> Erase current		T	N/A <sup>(2)</sup>	N/A <sup>(2)</sup>	N/A <sup>(2)</sup>	nA
t <sub>WRITE</sub> Write time		T	t <sub>READ</sub> <sup>(3)</sup>	t <sub>READ</sub> <sup>(3)</sup>	t <sub>READ</sub> <sup>(3)</sup>	ns
T <sub>READ</sub> Read time	NWAITSx = 0	T	1/f <sub>SYSTEM</sub> <sup>(4)</sup>	1/f <sub>SYSTEM</sub> <sup>(4)</sup>	1/f <sub>SYSTEM</sub> <sup>(4)</sup>	ns
	NWAITSx = 1	T	2/f <sub>SYSTEM</sub> <sup>(4)</sup>	2/f <sub>SYSTEM</sub> <sup>(4)</sup>	2/f <sub>SYSTEM</sub> <sup>(4)</sup>	
	NWAITSx = 2	T	3/f <sub>SYSTEM</sub> <sup>(4)</sup>	3/f <sub>SYSTEM</sub> <sup>(4)</sup>	3/f <sub>SYSTEM</sub> <sup>(4)</sup>	

(1) Writing to FRAM does not require a setup sequence or additional power when compared to reading from FRAM. The FRAM read current I<sub>READ</sub> is included in the active mode current consumption I<sub>AM, FRAM</sub> parameters.

(2) FRAM does not require a special erase sequence.

(3) Writing into FRAM is as fast as reading.

(4) The maximum read (and write) speed is specified by f<sub>SYSTEM</sub> using the appropriate wait state settings (NWAITSx).

### 5.12.13 Emulation and Debug

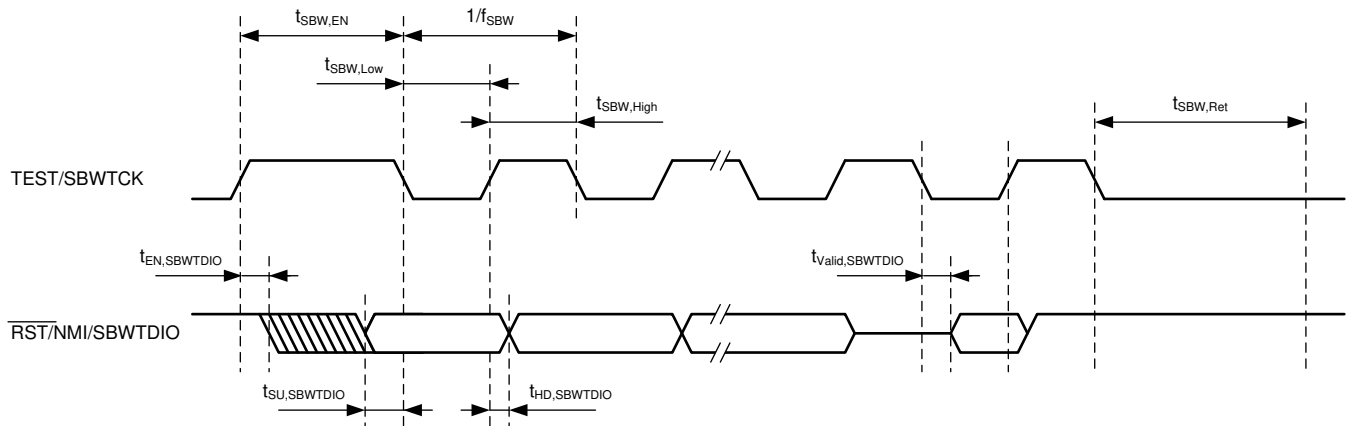
Table 5-28 lists the characteristics of the SBW interface.

**Table 5-28. JTAG, Spy-Bi-Wire Interface**

over recommended ranges of supply voltage and operating free-air temperature (unless otherwise noted) (see Figure 5-17)

PARAMETER		DEVICE GRADE	V <sub>CC</sub>	MIN	TYP	MAX	UNIT
f <sub>SBW</sub>	Spy-Bi-Wire input frequency	T	2.0 V, 3.0 V	0		8	MHz
t <sub>SBW,Low</sub>	Spy-Bi-Wire low clock pulse duration	T	2.0 V, 3.0 V	0.028		15	µs
t <sub>SU,SBWTDIO</sub>	SBWTDIO setup time (before falling edge of SBWTCK in TMS and TDI slot Spy-Bi-Wire)	T	2.0 V, 3.0 V	4			ns
t <sub>HD,SBWTDIO</sub>	SBWTDIO hold time (after rising edge of SBWTCK in TMS and TDI slot Spy-Bi-Wire)	T	2.0 V, 3.0 V	19			ns
t <sub>Valid,SBWTDIO</sub>	SBWTDIO data valid time (after falling edge of SBWTCK in TDO slot Spy-Bi-Wire)	T	2.0 V, 3.0 V			31	ns
t <sub>SBW,En</sub>	Spy-Bi-Wire enable time (TEST high to acceptance of first clock edge) <sup>(1)</sup>	T	2.0 V, 3.0 V			110	µs
t <sub>SBW,Ret</sub>	Spy-Bi-Wire return to normal operation time <sup>(2)</sup>	T	2.0 V, 3.0 V	15		100	µs
R <sub>internal</sub>	Internal pulldown resistance on TEST	T	2.0 V, 3.0 V	20	35	50	kΩ

- (1) Tools that access the Spy-Bi-Wire interface must wait for the t<sub>SBW,En</sub> time after pulling the TEST/SBWTCK pin high before applying the first SBWTCK clock edge.
- (2) Maximum t<sub>SBW,Ret</sub> time after pulling or releasing the TEST/SBWTCK pin low, the Spy-Bi-Wire pins revert from their Spy-Bi-Wire function to their application function. This time applies only if the Spy-Bi-Wire mode was selected.



**Figure 5-17. JTAG Spy-Bi-Wire Timing**

Table 5-29 lists the characteristics of the 4-wire JTAG interface.

**Table 5-29. JTAG, 4-Wire Interface**

over recommended ranges of supply voltage and operating free-air temperature (unless otherwise noted) (see Figure 5-18)

PARAMETER		DEVICE GRADE	V <sub>CC</sub>	MIN	TYP	MAX	UNIT
f <sub>TCK</sub>	TCK input frequency <sup>(1)</sup>	I, T	2.0 V, 3.0 V	0		10	MHz
t <sub>TCK,Low</sub>	Spy-Bi-Wire low clock pulse duration	I, T	2.0 V, 3.0 V	15			ns
t <sub>TCK,high</sub>	Spy-Bi-Wire high clock pulse duration	I, T	2.0 V, 3.0 V	15			ns
t <sub>SU,TMS</sub>	TMS setup time (before rising edge of TCK)	I, T	2.0 V, 3.0 V	11			ns
t <sub>HD,TMS</sub>	TMS hold time (after rising edge of TCK)	I, T	2.0 V, 3.0 V	3			ns
t <sub>SU,TDI</sub>	TDI setup time (before rising edge of TCK)	I, T	2.0 V, 3.0 V	13			ns
t <sub>HD,TDI</sub>	TDI hold time (after rising edge of TCK)	I, T	2.0 V, 3.0 V	5			ns
t <sub>z-Valid,TDO</sub>	TDO high impedance to valid output time (after falling edge of TCK)	I, T	2.0 V, 3.0 V			26	ns
t <sub>Valid,TDO</sub>	TDO to new valid output time (after falling edge of TCK)	I, T	2.0 V, 3.0 V			26	ns
t <sub>Valid-Z,TDO</sub>	TDO valid to high impedance output time (after falling edge of TCK)	I, T	2.0 V, 3.0 V			26	ns
t <sub>JTAG,Ret</sub>	Spy-Bi-Wire return to normal operation time	I, T	2.0 V, 3.0 V	15		100	μs
R <sub>internal</sub>	Internal pulldown resistance on TEST	I, T	2.0 V, 3.0 V	20	35	50	kΩ

(1) Tools that access the Spy-Bi-Wire interface must wait for the t<sub>SBW,En</sub> time after pulling the TEST/SBWTCK pin high before applying the first SBWTCK clock edge.

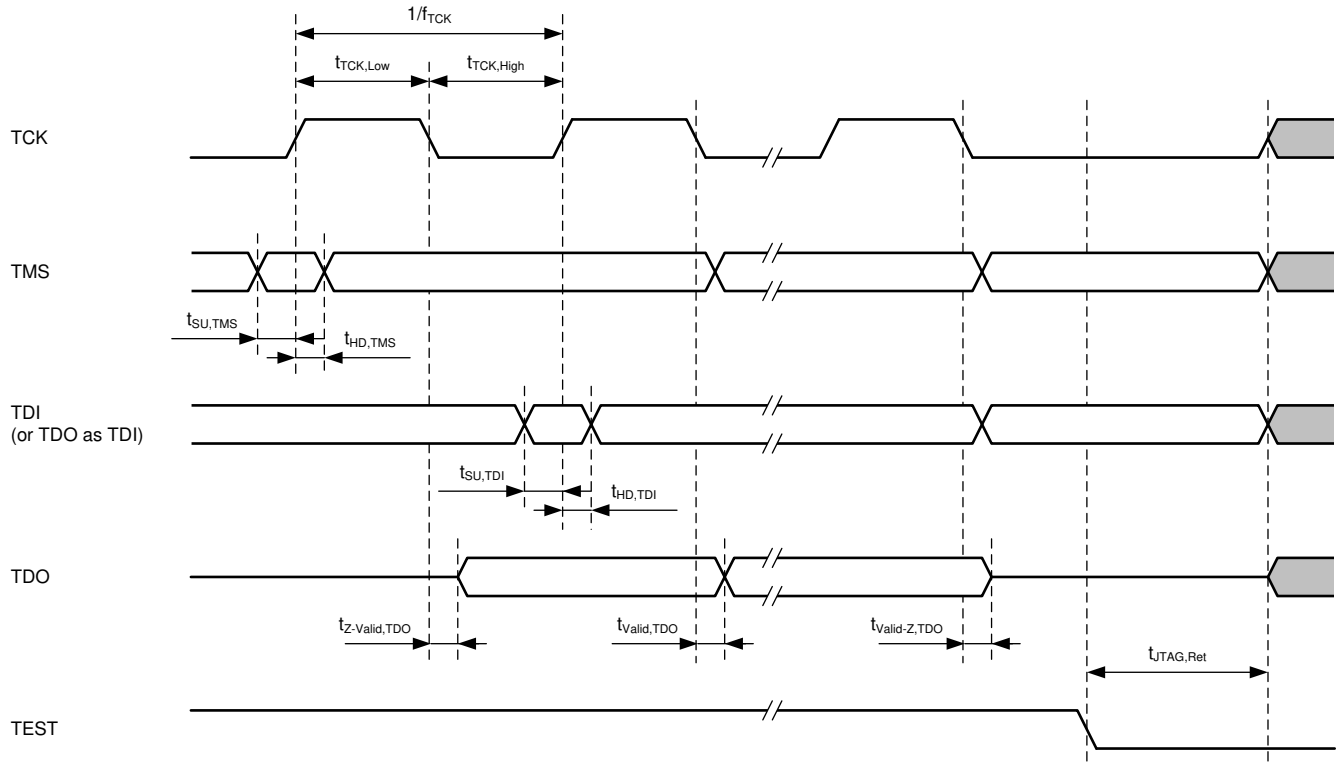


Figure 5-18. JTAG 4-Wire Timing



## 6 Detailed Description

### 6.1 CPU

The MSP430 CPU has a 16-bit RISC architecture that is highly transparent to the application. All operations, other than program-flow instructions, are performed as register operations in conjunction with seven addressing modes for source operand and four addressing modes for destination operand.

The CPU is integrated with 16 registers that provide reduced instruction execution time. The register-to-register operation execution time is one cycle of the CPU clock.

Four of the registers, R0 to R3, are dedicated as program counter (PC), stack pointer (SP), status register (SR), and constant generator (CG), respectively. The remaining registers are general-purpose registers.

Peripherals are connected to the CPU using data, address, and control buses, and can be handled with all instructions.

### 6.2 Operating Modes

The MCUs have one active mode and several software-selectable low-power modes of operation. An interrupt event can wake the device from a low-power mode (LPM0, LPM3, or LPM4), service the request, and return to the low-power mode on return from the interrupt program. Low-power modes LPM3.5 and LPM4.5 disable the core supply to minimize power consumption.

**Table 6-1. Operating Modes**

MODE		AM	LPM0	LPM3	LPM4	LPM3.5	LPM4.5
		ACTIVE MODE	CPU OFF	STANDBY	OFF	ONLY RTC COUNTER	SHUTDOWN
Maximum system clock		24 MHz	24 MHz	40 kHz	0	40 kHz	0
Power consumption at 25°C, 3 V		142 $\mu$ A/MHz	40 $\mu$ A/MHz	1.43 $\mu$ A with RTC counter only in LFXT	0.82 $\mu$ A without SVS	620 nA with RTC counter only in LFXT	42 nA without SVS
Wake-up time		N/A	Instant	10 $\mu$ s	10 $\mu$ s	350 $\mu$ s	350 $\mu$ s
Wake-up events		N/A	All	All	I/O	RTC counter, I/O	I/O
Power	Regulator	Full regulation	Full regulation	Partial power down	Partial power down	Partial power down	Power down
	SVS	On	On	Optional	Optional	Optional	Optional
	Brownout	On	On	On	On	On	On
Clock <sup>(1)</sup>	MCLK	Active	Off	Off	Off	Off	Off
	SMCLK	Optional	Active	Off	Off	Off	Off
	FLL	Optional	Optional	Off	Off	Off	Off
	DCO	Optional	Optional	Off	Off	Off	Off
	MODCLK	Optional	Optional	Off	Off	Off	Off
	REFO	Optional	Optional	Optional	Off	Off	Off
	ACLK	Optional	Optional	Active	Off	Off	Off
	XT1HFCLK <sup>(2)</sup>	Optional	Optional	Off	Off	Off	Off
	XT1LFCLK	Optional	Optional	Optional	Off	Optional	Off
VLOCLK	Optional	Optional	Optional	Off	Optional	Off	

(1) The status shown for LPM4 applies to internal clocks only.

(2) HFXT must be disabled before entering into LPM3, LPM4, or LPMx.5 mode.

**Table 6-1. Operating Modes (continued)**

MODE		AM	LPM0	LPM3	LPM4	LPM3.5	LPM4.5
		ACTIVE MODE	CPU OFF	STANDBY	OFF	ONLY RTC COUNTER	SHUTDOWN
Core	CPU	On	Off	Off	Off	Off	Off
	FRAM	On	On	Off	Off	Off	Off
	RAM	On	On	On	On	Off	Off
	Backup Memory <sup>(3)</sup>	On	On	On	On	On	Off
Peripherals	Timer0_B3	Optional	Optional	Optional	Off	Off	Off
	Timer1_B3	Optional	Optional	Optional	Off	Off	Off
	Timer2_B3	Optional	Optional	Optional	Off	Off	Off
	Timer3_B7	Optional	Optional	Optional	Off	Off	Off
	WDT	Optional	Optional	Optional	Off	Off	Off
	eUSCI_A0	Optional	Optional	Optional	Off	Off	Off
	eUSCI_A1	Optional	Optional	Optional	Off	Off	Off
	eUSCI_B0	Optional	Optional	Optional	Off	Off	Off
	eUSCI_B1	Optional	Optional	Optional	Off	Off	Off
	CRC	Optional	Optional	Off	Off	Off	Off
	ICC	Optional	Optional	Off	Off	Off	Off
	MPY32	Optional	Optional	Off	Off	Off	Off
	ADC	Optional	Optional	Optional	Off	Off	Off
	eCOMP0	Optional	Optional	Optional	Optional	Off	Off
	eCOMP1	Optional	Optional	Optional	Optional	Off	Off
	SAC0 <sup>(4)</sup>	Optional	Optional	Optional	Optional	Off	Off
	SAC1 <sup>(4)</sup>	Optional	Optional	Optional	Optional	Off	Off
	SAC2 <sup>(4)</sup>	Optional	Optional	Optional	Optional	Off	Off
SAC3 <sup>(4)</sup>	Optional	Optional	Optional	Optional	Off	Off	
RTC Counter	Optional	Optional	Optional	Optional	Optional	Off	
I/O	General digital input/output	On	Optional	State held	State held	State held	State held

(3) Backup memory contains one 32-byte register in the peripheral memory space. See [Table 6-33](#) and [Table 6-54](#) for its memory allocation.

(4) MSP430FR235x devices only

---

**NOTE**

XT1CLK and VLOCLK can be active during LPM4 if requested by low-frequency peripherals.

---

### 6.3 Interrupt Vector Addresses

The interrupt vectors and the power-up start address are in the address range 0FFFFh to 0FF80h (see [Table 6-2](#)). The vector contains the 16-bit address of the appropriate interrupt-handler instruction sequence.

**Table 6-2. Interrupt Sources, Flags, and Vectors**

INTERRUPT SOURCE	INTERRUPT FLAG	SYSTEM INTERRUPT	WORD ADDRESS	PRIORITY
<b>System Reset</b> Power up, brownout, supply supervisor External reset RST Watchdog time-out, key violation FRAM uncorrectable bit error detection Software POR, BOR FLL unlock error	SVSHIFG PMMRSTIFG WDTIFG PMMPORIFG, PMMBORIFG SYSRSTIV FLLULPUC	Reset	FFFEh	63, Highest
<b>System NMI</b> Vacant memory access JTAG mailbox FRAM access time error FRAM bit-error detection	VMAIFG JMBINIFG, JMBOUTIFG CBDIFG, UBDIFG	Non-Maskable	FFFCh	62
<b>User NMI</b> External NMI Oscillator fault	NMIIFG OFIFG	Non-Maskable	FFFAh	61
Timer0_B3	TB0CCR0 CCIFG0	Maskable	FFF8h	60
Timer0_B3	TB0CCR1 CCIFG1, TB0CCR2 CCIFG2, TB0IFG (TB0IV)	Maskable	FFF6h	59
Timer1_B3	TB1CCR0 CCIFG0	Maskable	FFF4h	58
Timer1_B3	TB1CCR1 CCIFG1, TB1CCR2 CCIFG2, TB1IFG (TB1IV)	Maskable	FFF2h	57
Timer2_B3	TB2CCR0 CCIFG0	Maskable	FFF0h	56
Timer2_B3	TB2CCR1 CCIFG1, TB2CCR2 CCIFG2, TB2IFG (TB2IV)	Maskable	FFEEh	55
Timer3_B7	TB3CCR0 CCIFG0	Maskable	FFECh	54
Timer3_B7	TB3CCR1 CCIFG1, TB3CCR2 CCIFG2, TB3CCR3 CCIFG3, TB3CCR4 CCIFG4, TB3CCR5 CCIFG5, TB3CCR6 CCIFG6, TB3IFG (TB3IV)	Maskable	FFEAh	53
RTC counter	RTCIFG	Maskable	FFE8h	52
Watchdog timer interval mode	WDTIFG	Maskable	FFE6h	51
eUSCI_A0 receive or transmit	UCTXCPTIFG, UCSTTIFG, UCRXIFG, UCTXIFG (UART mode) UCRXIFG, UCTXIFG (SPI mode) (UCA0IV)	Maskable	FFE4h	50
eUSCI_A1 receive or transmit	UCTXCPTIFG, UCSTTIFG, UCRXIFG, UCTXIFG (UART mode) UCRXIFG, UCTXIFG (SPI mode) (UCA0IV)	Maskable	FFE2h	49
eUSCI_B0 receive or transmit	UCB0RXIFG, UCB0TXIFG (SPI mode) UCALIFG, UCNACKIFG, UCSTTIFG, UCSTPIFG, UCRXIFG0, UCTXIFG0, UCRXIFG1, UCTXIFG1, UCRXIFG2, UCTXIFG2, UCRXIFG3, UCTXIFG3, UCCNTIFG, UCBIT9IFG, UCCLTOIFG(I <sup>2</sup> C mode) (UCB0IV)	Maskable	FFE0h	48

**Table 6-2. Interrupt Sources, Flags, and Vectors (continued)**

INTERRUPT SOURCE	INTERRUPT FLAG	SYSTEM INTERRUPT	WORD ADDRESS	PRIORITY
eUSCI_B1 receive or transmit	UCB1RXIFG, UCB1TXIFG (SPI mode) UCALIFG, UCNACKIFG, UCSTTIFG, UCSTPIFG, UCRXIFG0, UCTXIFG0, UCRXIFG1, UCTXIFG1, UCRXIFG2, UCTXIFG2, UCRXIFG3, UCTXIFG3, UCCNTIFG, UCBIT9IFG, UCCLTOIFG(I <sup>2</sup> C mode) (UCB0IV)	Maskable	FFDEh	47
ADC	ADCIFG0, ADCINIFG, ADCLOIFG, ADCHIFG, ADCTOVIFG, ADCOVIFG (ADCIV)	Maskable	FFDCh	46
eCOMP0_eCOMP1	CPIIFG, CPIFG (CP1IV, CP0IV)	Maskable	FFDAh	45
SAC0_SAC2 <sup>(1)</sup>	SAC2DACSTS DACIFG (SAC2IV) SAC0DACSTS DACIFG, SAC0IV)	Maskable	FFD8h	44
SAC1_SAC3 <sup>(1)</sup>	SAC3DACSTS DACIFG (SAC3IV) SAC1DACSTS DACIFG, SAC1IV)	Maskable	FFD6h	43
P1	P1IFG.0 to P1IFG.7 (P1IV)	Maskable	FFD4h	42
P2	P2IFG.0 to P2IFG.7 (P2IV)	Maskable	FFD2h	41
P3	P3IFG.0 to P3IFG.7 (P3IV)	Maskable	FFD0h	40
P4	P4IFG.0 to P4IFG.7 (P4IV)	Maskable	FFCEh	39
Reserved	Reserved	Maskable	FFCCh to FF88h	

(1) MSP430FR235x devices only

Table 6-3 lists the BSL signature settings. The BSL setting on MSP430FR2355 can be customized by using BSL configuration and I<sup>2</sup>C address. See the [MSP430 FRAM Device Bootloader \(BSL\) User's Guide](#) for more details.

**Table 6-3. BSL Signatures**

SIGNATURE	WORD ADDRESS
BSL I2C Address <sup>(1)</sup>	FFA0h
BSL Config	0FF8Ah
BSL Config Signature	0FF88h
BSL Signature2	0FF86h
BSL Signature1	0FF84h
JTAG Signature2	0FF82h
JTAG Signature1	0FF80h

(1) 7-bit address BSL I<sup>2</sup>C interface

## 6.4 Memory Organization

Table 6-4 summarizes the memory map of the devices.

**Table 6-4. Memory Organization**

	ACCESS	MSP430FR2355	MSP430FR2353
Memory (FRAM) Main: interrupt vectors and signatures Main: code memory	Read/Write (Optional Write Protect) <sup>(1)</sup>	32KB FFFFh to FF80h FFFFh to 8000h	16KB FFFFh to FF80h FFFFh to C000h
RAM	Read/Write	4KB 2FFFh to 2000h	2KB 27FFh to 2000h
Information memory (FRAM)	Read/Write <sup>(2)</sup>	512 bytes 19FFh to 1800h	512 bytes 19FFh to 1800h
Driver library and FFT library (ROM)	Read only	20KB FAC00h to FFBFFh	20KB FAC00h to FFBFFh
Peripherals	Read/Write	4KB 0FFFh to 0020h	4KB 0FFFh to 0020h
Tiny RAM	Read/Write	26 bytes 001Fh to 0006h	26 bytes 001Fh to 0006h
Reserved <sup>(3)</sup>	Read	6 bytes 0005h to 0000h	6 bytes 0005h to 0000h

- (1) The program FRAM can be write protected by setting PFWP bit in SYSCFG0 register. See the SYS chapter in [MSP430FR4xx and MSP430FR2xx Family User's Guide](#) for more details.
- (2) The information FRAM can be write protected by setting DFWP bit in SYSCFG0 register. See the SYS chapter in [MSP430FR4xx and MSP430FR2xx Family User's Guide](#) for more details.
- (3) Reads as D032h at 00h (opcode: BIS.W LPM4, SR), reads as 00F0h at 02h (opcode: BIS.W LPM4, SR), and reads as 3FFFh at 04h (opcode: JMP\$)

## 6.5 Bootloader (BSL)

The BSL enables users to program the FRAM memory or RAM using a UART or I<sup>2</sup>C serial interface. Access to the device memory through the BSL is protected by an user-defined password. Use of the BSL requires four pins (see [Table 6-5](#) and [Table 6-6](#)). BSL entry requires a specific entry sequence on the  $\overline{\text{RST}}/\text{NMI}/\text{SBWTDIO}$  and  $\text{TEST}/\text{SBWTCK}$  pins. For complete description of the features of the BSL and its implementation, see [MSP430 FRAM Devices Bootloader \(BSL\) User's Guide](#).

**Table 6-5. UART BSL Pin Requirements and Functions**

DEVICE SIGNAL	BSL FUNCTION
$\overline{\text{RST}}/\text{NMI}/\text{SBWTDIO}$	Entry sequence signal
$\text{TEST}/\text{SBWTCK}$	Entry sequence signal
P1.7	Data transmit
P1.6	Data receive
DVCC	Power supply
DVSS	Ground supply

**Table 6-6. I<sup>2</sup>C BSL Pin Requirements and Functions**

DEVICE SIGNAL	BSL FUNCTION
$\overline{\text{RST}}/\text{NMI}/\text{SBWTDIO}$	Entry sequence signal
$\text{TEST}/\text{SBWTCK}$	Entry sequence signal
P1.2	Data receive and transmit
P1.3	Clock
DVCC	Power supply
DVSS	Ground supply

## 6.6 JTAG Standard Interface

The MSP430 family supports the standard JTAG interface which requires four signals for sending and receiving data. The JTAG signals are shared with general-purpose I/O. The TEST/SBWTCK pin is used to enable the JTAG signals. In addition to these signals, the  $\overline{\text{RST}}/\text{NMI}/\text{SBWTDIO}$  is required to interface with MSP430 development tools and device programmers. [Table 6-7](#) lists the JTAG pin requirements. For further details on interfacing to development tools and device programmers, see the [MSP430 Hardware Tools User's Guide](#).

**Table 6-7. JTAG Pin Requirements and Function**

DEVICE SIGNAL	DIRECTION	JTAG FUNCTION
P1.4/UCA0STE/TCK/A4	IN	JTAG clock input
P1.5/UCA0CLK/TMS/OA1O/A5	IN	JTAG state control
P1.6/UCA0RXD/UCA0SOMI/TB0.1/TDI/TCLK/OA1-/A6	IN	JTAG data input, TCLK input
P1.7/UCA0TXD/UCA0SIMO/TB0.2/TDO/OA1+/A7/VREF+	OUT	JTAG data output
TEST/SBWTCK	IN	Enable JTAG pins
RST/NMI/SBWTDIO	IN	External reset
DVCC	–	Power supply
DVSS	–	Ground supply

## 6.7 Spy-Bi-Wire Interface (SBW)

The MSP430 family supports the two wire Spy-Bi-Wire interface. Spy-Bi-Wire can be used to interface with MSP430 development tools and device programmers. [Table 6-8](#) shows the Spy-Bi-Wire interface pin requirements. For further details on interfacing to development tools and device programmers, see the [MSP430 Hardware Tools User's Guide](#).

**Table 6-8. Spy-Bi-Wire Pin Requirements and Functions**

DEVICE SIGNAL	DIRECTION	SBW FUNCTION
TEST/SBWTCK	IN	Spy-Bi-Wire clock input
RST/NMI/SBWTDIO	IN, OUT	Spy-Bi-Wire data input and output
DVCC	–	Power supply
DVSS	–	Ground supply

## 6.8 FRAM

The FRAM can be programmed using the JTAG port, Spy-Bi-Wire (SBW), the BSL, or in-system by the CPU. Features of the FRAM include:

- Byte and word access capability
- Programmable wait state generation
- Error correction coding (ECC)

## 6.9 Memory Protection

The device features memory protection of user access authority and write protection include:

- Securing the whole memory map to prevent unauthorized access from JTAG port or BSL, by writing JTAG and BSL signatures using the JTAG port, SBW, the BSL, or in-system by the CPU.
- Write protection enabled to prevent unwanted write operation to FRAM contents by setting the control bits with accordingly password in System Configuration register 0. For more detailed information, see the SYS chapter in the [MSP430FR4xx and MSP430FR2xx Family User's Guide](#).

## 6.10 Peripherals

Peripherals are connected to the CPU through data, address, and control buses. All peripherals can be handled by using all instructions in the memory map. For complete module description, see the [MSP430FR4xx and MSP430FR2xx Family User's Guide](#).

### 6.10.1 Power Management Module (PMM) and On-Chip Reference Voltages

The PMM includes an integrated voltage regulator that supplies the core voltage to the device. The PMM also includes supply voltage supervisor (SVS) and brownout protection. The brownout reset circuit (BOR) is implemented to provide the proper internal reset signal to the device during power-on and power-off. The SVS circuitry detects if the supply voltage drops below a user-selectable safe level. SVS circuitry is available on the primary supply.

The device contains three on-chip references:

- Internal shared reference (1.5 V, 2.0 V, or 2.5 V)
- 1.2 V for external reference (VREF pin)
- 1.2 V low-power reference for eCOMP

The internal shared reference is controlled by PMM settings to select 1.5 V, 2.0 V, or 2.5 V. This reference is internally connected to ADC channel 13. DVCC is internally connected to ADC channel 15. When DVCC is set as the reference voltage for ADC conversion, the DVCC can be easily represent as [Equation 1](#) by using ADC sampling reference without any external components support.

$$DVCC = (4095 \times \text{reference voltage}) \div \text{ADC result} \quad (1)$$

The internal shared reference (1.5 V, 2.0 V, or 2.5 V) is also internally connected to the built-in DAC of the comparator and SAC (MSP430FR235x devices only) built-in 12-bit DAC as the reference voltage. The source can be selected by setting the specific register configuration of each module. For more information, see the [MSP430FR4xx and MSP430FR2xx Family User's Guide](#).

P1.7/UCA0TXD/UCA0SIMO/TB0.2/TDO/OA1+/A7/VREF+ can support a buffered external 1.2-V output when EXTREFEN = 1 in the PMMCTL2 register. ADC channel 7 can also be selected to monitor this voltage. For more information, see the [MSP430FR4xx and MSP430FR2xx Family User's Guide](#).

An additional low-power 1.2-V reference is internally connected to eCOMP0 and eCOMP1. This reference is activated by enabling eCOMP with the channel as threshold source. See [Section 6.10.13](#) for more details.

### 6.10.2 Clock System (CS) and Clock Distribution

The clock system includes a 32-kHz low-frequency or up to 24-MHz high-frequency crystal oscillator (XT1), an internal very low-power low-frequency oscillator (VLO), an integrated 32-kHz RC oscillator (REFO), an integrated internal digitally controlled oscillator (DCO) that can use frequency-locked loop (FLL) locking with internal or external 32-kHz reference clock, and on-chip asynchronous high-speed clock (MODOSC). The clock system is designed to target cost-effective designs with minimal external components. A fail-safe mechanism is designed for XT1. The clock system module supports the following clock signals.

- Main Clock (MCLK): the system clock used by the CPU and all relevant peripherals accessed by the bus. All clock sources except MODOSC can be selected as the source with a predivider of 1, 2, 4, 8, 16, 32, 64, or 128.
- Sub-Main Clock (SMCLK): the subsystem clock used by the peripheral modules. SMCLK derives from the MCLK with a predivider of 1, 2, 4, or 8. This means SMCLK is always equal to or less than MCLK.
- Auxiliary Clock (ACLK): this clock derived from the external XT1 clock, internal VLO, or internal REFO clock up to 40 kHz.

All peripherals have one or several clock sources, depending on specific functionality. [Table 6-9](#) lists the clock distribution used in this device.

**Table 6-9. Clock Distribution**

	CLOCK SOURCE SELECT BITS	MCLK	SMCLK	ACLK	MODCLK	VLOCLK	EXTERNAL PIN
Frequency Range		DC to 24 MHz	DC to 24 MHz	DC to 40 kHz	3.8 MHz ±21%	10 kHz ±50%	–
CPU	N/A	Default	–	–	–	–	–
FRAM	N/A	Default	–	–	–	–	–
RAM	N/A	Default	–	–	–	–	–
CRC	N/A	Default	–	–	–	–	–
MPY32	N/A	Default	–	–	–	–	–
ICC	N/A	Default	–	–	–	–	–
I/O	N/A	Default	–	–	–	–	–
TB0	TBSSEL	–	10b	01b	–	–	00b (TB0CLK pin)
TB1	TBSSEL	–	10b	01b	–	–	00b (TB1CLK pin)
TB2	TBSSEL	–	10b	01b	–	–	00b (TB2CLK pin)
TB3	TBSSEL	–	10b	01b	–	–	00b (TB3CLK pin)
eUSCI_A0	UCSSEL	–	10b or 11b	01b	–	–	00b (UCA0CLK pin)
eUSCI_A1	UCSSEL	–	10b or 11b	01b	–	–	00b (UCA1CLK pin)
eUSCI_B0	UCSSEL	–	10b or 11b	01b	–	–	00b (UCB0CLK pin)
eUSCI_B1	UCSSEL	–	10b or 11b	01b	–	–	00b (UCB1CLK pin)
MFM	N/A	–	Default	–	–	–	–
WDT	WDTSEL	–	00b	01b	–	10b	–
ADC	ADCSEL	–	10b or 11b	01b	00b	–	–
RTC Counter	RTCSS	–	01b <sup>(1)</sup>	01b <sup>(1)</sup>	–	11b	–

(1) Controlled by the RTCCKSEL bit in the SYSCFG2 register.

**Table 6-10. XTCLK Distribution**

OPERATION MODE	CLOCK SOURCE SELECT BITS	XTHFCLK AM to LPM0	XTLFCLK AM to LPM3	XTLFCLK (LPMx.5) AM to LPM3.5
MCLK	SELMS	10b	10b	10b
SMCLK	SELMS	10b	10b	10b
REFO	SELREF	0b	0b	0b
ACLK	SELA	0b	0b	0b
RTC	RTCSS	–	10b	10b



### 6.10.3 General-Purpose Input/Output Port (I/O)

Up to 44 I/O ports are implemented.

- P1, P2, P3, and P4 are full 8-bit ports; P5 and P6 feature up to 5-bit and 7-bit ports, respectively.
- All individual I/O bits are independently programmable.
- Any combination of input, output, is possible for P1, P2, P3, P4, P5, and P6. Interrupt conditions are possible in P1, P2, P3, and P4.
- Programmable pullup or pulldown on all ports.
- Edge-selectable interrupt and LPM3.5, LPM4 and LPM4.5 wake-up input capability is available in P1, P2, P3, and P4.
- Read and write access to port-control registers is supported by all instructions.
- Ports can be accessed byte-wise or word-wise in pairs.

---

#### NOTE

##### Configuration of digital I/Os after BOR reset

To prevent cross currents during start-up of the device, all port pins are high-impedance with Schmitt triggers and module functions disabled. To enable the I/O functions after a BOR reset, first configure the ports and then clear the LOCKLPM5 bit. For details, see the *Configuration After Reset* section in the *Digital I/O* chapter of the [MSP430FR4xx and MSP430FR2xx Family User's Guide](#).

---

### 6.10.4 Watchdog Timer (WDT)

The primary function of the WDT module is to perform a controlled system restart after a software problem occurs. If the selected time interval expires, a system reset is generated. If the watchdog function is not needed in an application, the module can be configured as interval timer and can generate interrupts at selected time intervals.

[Table 6-11](#) lists the clock sources that can be used by the WDT.

**Table 6-11. WDT Clocks**

WDTSEL	NORMAL OPERATION (WATCHDOG AND INTERVAL TIMER MODE)
00	SMCLK
01	ACLK
10	VLOCLK
11	Reserved

### 6.10.5 System Module (SYS)

The SYS module handles many of the system functions within the device. These include power-on reset (POR) and power-up clear (PUC) handling, NMI source selection and management, reset interrupt vector generators (see [Table 6-12](#)), bootloader entry mechanisms, and configuration management (device descriptors). SYS also includes a data exchange mechanism through SBW called a JTAG mailbox that can be used in the application.

**Table 6-12. System Module Interrupt Vector Registers**

INTERRUPT VECTOR REGISTER	ADDRESS	INTERRUPT EVENT	VALUE	PRIORITY
SYSRSTIV, System Reset	015Eh	No interrupt pending	00h	
		Brownout (BOR)	02h	Highest
		RSTIFG RST/NMI (BOR)	04h	
		PMMSWBOR software BOR (BOR)	06h	
		LPMx.5 wake up (BOR)	08h	
		Security violation (BOR)	0Ah	
		Reserved	0Ch	
		SVSHIFG SVSH event (BOR)	0Eh	
		Reserved	10h	
		Reserved	12h	
		PMMSWPOR software POR (POR)	14h	
		WDTIFG watchdog time-out (PUC)	16h	
		WDTPW password violation (PUC)	18h	
		FRCTLPW password violation (PUC)	1Ah	
		Uncorrectable FRAM bit error detection	1Ch	
		Peripheral area fetch (PUC)	1Eh	
		PMMPW PMM password violation (PUC)	20h	
		Reserved	22h	
FLL unlock (PUC)	24h			
Reserved	26h to 3Eh	Lowest		
SYSSNIV, System NMI	015Ch	No interrupt pending	00h	
		SVS low-power reset entry	02h	Highest
		Uncorrectable FRAM bit error detection	04h	
		Reserved	06h	
		Reserved	08h	
		Reserved	0Ah	
		Reserved	0Ch	
		Reserved	0Eh	
		Reserved	10h	
		VMAIFG Vacant memory access	12h	
		JMBINIFG JTAG mailbox input	14h	
		JMBOUTIFG JTAG mailbox output	16h	
		Correctable FRAM bit error detection	18h	
Reserved	1Ah to 1Eh	Lowest		
SYSUNIV, User NMI	015Ah	No interrupt pending	00h	
		NMIIFG NMI pin or SVS <sub>H</sub> event	02h	Highest
		OFIFG oscillator fault	04h	
		Reserved	06h to 1Eh	Lowest

### 6.10.6 Cyclic Redundancy Check (CRC)

The 16-bit cyclic redundancy check (CRC) module produces a signature based on a sequence of data values and can be used for data checking purposes. The CRC generation polynomial is compliant with CRC-16-CCITT standard of  $x^{16} + x^{12} + x^5 + 1$ .

### 6.10.7 Interrupt Compare Controller (ICC)

The Interrupt Compare Controller (ICC) allows all maskable interrupt sources to be scheduled in a preemptive mechanism. Each interrupt source is specified as a source of ICC module. Each source supports a 4-level software interrupt priority other than the one tied with interrupt vector. When ICC module is enabled, the ISR in lower software priority can be interrupted by higher priority. It is required to enable GIE in ISR for proper ICC operation. For details, see the ICC chapter of the [MSP430FR4xx and MSP430FR2xx Family User's Guide](#). Table 6-13 lists the ICC source configurations.

**Table 6-13. ICC Interrupt Source Assignments**

REGISTER	BITS	INTERRUPT SOURCE	INTERRUPT FLAG	SYSTEM INTERRUPT	WORD ADDRESS	PRIORITY
ICCILRS0	ILSR0	P4	P4IFG.0 to P4IFG.7 (P4IV)	Maskable	FFCEh	39
	ILSR1	P3	P3IFG.0 to P3IFG.7 (P3IV)	Maskable	FFD0h	40
	ILSR2	P2	P2IFG.0 to P2IFG.7 (P2IV)	Maskable	FFD2h	41
	ILSR3	P1	P1IFG.0 to P1IFG.7 (P1IV)	Maskable	FFD4h	42
	ILSR4	SAC3 DAC, SAC1 DAC <sup>(1)</sup>	DACIFG, (SAC3IV, SAC1IV) <sup>(1)</sup>	Maskable	FFD6h	43
	ILSR5	SAC2 DAC, SAC0 DAC <sup>(1)</sup>	DACIFG (SAC2IV, SAC0IV) <sup>(1)</sup>	Maskable	FFD8h	44
	ILSR6	eCOMP1, eCOMP0	CPIIFG, CPIFG (CP1IV, CP0IV)	Maskable	FFDAh	45
	ILSR7	ADC	ADCIFG0, ADCINIFG, ADCLOIFG, ADCHIFG, ADCTOVIFG, ADCOVIFG (ADCIV)	Maskable	FFDCh	46
ICCILRS1	ILSR8	eUSCI_B1 Receive or Transmit	UCB1RXIFG, UCB1TXIFG (SPI mode) UCALIFG, UCNACKIFG, UCSTTIFG, UCSTPIFG, UCRXIFG0, UCTXIFG0, UCRXIFG1, UCTXIFG1, UCRXIFG2, UCTXIFG2, UCRXIFG3, UCTXIFG3, UCCNTIFG, UCBIT9IFG, UCCLTOIFG (I <sup>2</sup> C mode) (UCB0IV)	Maskable	FFDEh	47
	ILSR9	eUSCI_B0 Receive or Transmit	UCB0RXIFG, UCB0TXIFG (SPI mode) UCALIFG, UCNACKIFG, UCSTTIFG, UCSTPIFG, UCRXIFG0, UCTXIFG0, UCRXIFG1, UCTXIFG1, UCRXIFG2, UCTXIFG2, UCRXIFG3, UCTXIFG3, UCCNTIFG, UCBIT9IFG, UCCLTOIFG (I <sup>2</sup> C mode) (UCB0IV)	Maskable	FFE0h	48
	ILSR10	eUSCI_A1 Receive or Transmit	UCTXCPTIFG, UCSTTIFG, UCRXIFG, UCTXIFG (UART mode) UCRXIFG, UCTXIFG (SPI mode) (UCA0IV))	Maskable	FFE2h	49
	ILSR11	eUSCI_A0 Receive or Transmit	UCTXCPTIFG, UCSTTIFG, UCRXIFG, UCTXIFG (UART mode) UCRXIFG, UCTXIFG (SPI mode) (UCA0IV))	Maskable	FFE4h	50
	ILSR12	Watchdog Timer Interval mode	WDTIFG	Maskable	FFE6h	51
	ILSR13	RTC Counter	RTCIFG	Maskable	FFE8h	52
	ILSR14	Timer3_B7	TB3CCR1 CCIFG1, TB3CCR2 CCIFG2, TB3CCR3 CCIFG3, TB3CCR4 CCIFG4, TB3CCR5 CCIFG5, TB3CCR6 CCIFG6, TB3IFG (TB3IV)	Maskable	FFEAh	53
	ILSR15	Timer3_B7	TB3CCR0 CCIFG0	Maskable	FFECh	54

(1) MSP430FR235x devices only

**Table 6-13. ICC Interrupt Source Assignments (continued)**

REGISTER	BITS	INTERRUPT SOURCE	INTERRUPT FLAG	SYSTEM INTERRUPT	WORD ADDRESS	PRIORITY
ICILRS2	ILSR16	Timer2_B3	TB2CCR1 CCIFG1, TB2CCR2 CCIFG2, TB2IFG (TB2IV)	Maskable	FFEEh	55
	ILSR17	Timer2_B3	TB2CCR0 CCIFG0	Maskable	FFF0h	56
	ILSR18	Timer1_B3	TB1CCR1 CCIFG1, TB1CCR2 CCIFG2, TB1IFG (TB1IV)	Maskable	FFF2h	57
	ILSR19	Timer1_B3	TB1CCR0 CCIFG0	Maskable	FFF4h	58
	ILSR20	Timer0_B3	TB0CCR1 CCIFG1, TB0CCR2 CCIFG2, TB0IFG (TB0IV)	Maskable	FFF6h	59
	ILSR21	Timer0_B3	TB0CCR0 CCIFG0	Maskable	FFF8h	60
	ILSR22	N/A	N/A	N/A	N/A	N/A
ICILRS3	ILSR23	N/A	N/A	N/A	N/A	N/A
	ILSR24	N/A	N/A	N/A	N/A	N/A
	ILSR25	N/A	N/A	N/A	N/A	N/A
	ILSR26	N/A	N/A	N/A	N/A	N/A
	ILSR27	N/A	N/A	N/A	N/A	N/A
	ILSR28	N/A	N/A	N/A	N/A	N/A
	ILSR29	N/A	N/A	N/A	N/A	N/A
	ILSR30	N/A	N/A	N/A	N/A	N/A
ILSR31	N/A	N/A	N/A	N/A	N/A	

### 6.10.8 Enhanced Universal Serial Communication Interface (eUSCI\_A0, eUSCI\_A1, eUSCI\_B0, eUSCI\_B1)

The eUSCI modules are used for serial data communications (see [Table 6-14](#)). The eUSCI\_A module supports either UART or SPI communications. The eUSCI\_B module supports either SPI or I<sup>2</sup>C communications. Additionally, eUSCI\_A supports automatic baud-rate detection and IrDA..

**Table 6-14. eUSCI Pin Configurations**

	PIN	UART	SPI
eUSCI_A0	P1.7	TXD	SIMO
	P1.6	RXD	SOMI
	P1.5	–	SCLK
	P1.4	–	STE
eUSCI_A1	PIN	UART	SPI
	P4.3	TXD or $\overline{\text{TXD}}$	SIMO
	P4.2	RXD or $\overline{\text{RXD}}$	SOMI
	P4.1	–	SCLK
eUSCI_B0	PIN	I <sup>2</sup> C	SPI
	P4.0	–	STE
	P1.3	SCL	SOMI
	P1.2	SDA	SIMO
	P1.1	–	SCLK
eUSCI_B1	P1.0	–	STE
	PIN	I <sup>2</sup> C	SPI
	P4.7	SCL	SOMI
	P4.6	SDA	SIMO
eUSCI_B1	P4.5	–	SCLK
	P4.4	–	STE

The eUSCI\_A1 can work as UART in inverting polarity mode by port settings (see [Table 6-15](#)). When PSEL = 01b, the normal UART or SPI mode is used. When PSEL = 10b, the inverted UART mode is enabled to transmit and receive data in inverted polarity. In this mode, eUSCI\_A1 can also wake up the device from LPM3 by detecting a rising edge of start bit according the falling edge in normal mode.

**Table 6-15. eUSCI\_A1 UART Polarity Configurations**

eUSCI_A1	PSEL = 01b	PSEL = 10b
P4.3	TXD	$\overline{\text{TXD}}$
P4.4	RXD	$\overline{\text{RXD}}$

### 6.10.9 Timers (Timer0\_B3, Timer1\_B3, Timer2\_B3, Timer3\_B7)

The Timer0\_B3, Timer1\_B3, and Timer2\_B3 modules are 16-bit timers and counters with three capture/compare registers each. Timer3\_B7 is a 16-bit timers with seven capture/compare registers each. Each can support multiple captures or compares, PWM outputs, and interval timing (see [Table 6-16](#), [Table 6-17](#), [Table 6-18](#), and [Table 6-19](#)). Each has extensive interrupt capabilities. Interrupts can be generated from the counter on overflow conditions and from each of the capture/compare registers. The CCR0 registers on all timers are not externally connected and can only be used for hardware period timing and interrupt generation. In Up Mode, they can be used to set the overflow value of the counter.

**Table 6-16. Timer0\_B3 Signal Connections**

PORT PIN	DEVICE INPUT SIGNAL	MODULE INPUT NAME	MODULE BLOCK	MODULE OUTPUT SIGNAL	DEVICE OUTPUT SIGNAL	
P2.7	TB0CLK	TBCLK	Timer	N/A		
	ACLK (internal)	ACLK				
	SMCLK (internal)	SMCLK				
	N/A	INCLK				
	From RTC (internal)	CCI0A	CCR0	TB0	Not used	
	ACLK (internal)	CCI0B			Timer1_B3 CCI0B input	
	DVSS	GND				
	DVCC	V <sub>CC</sub>				
P1.6	TB0.1	CCI1A	CCR1	TB1	TB0.1	
	From eCOMP0.O (internal)	CCI1B			Timer1_B3 CCI1B input	
		DVSS			GND	
		DVCC			V <sub>CC</sub>	
P1.7	TB0.2	CCI2A	CCR2	TB2	TB0.2	
		N/A			CCI2B	Timer1_B3 INCLK Timer1_B3 CCI2B input, IR carrier input
		DVSS			GND	
		DVCC			V <sub>CC</sub>	

Table 6-17. Timer1\_B3 Signal Connections

PORT PIN	DEVICE INPUT SIGNAL	MODULE INPUT NAME	MODULE BLOCK	MODULE OUTPUT SIGNAL	DEVICE OUTPUT SIGNAL
P2.2	TB1CLK	TBCLK	Timer	N/A	
	ACLK (internal)	ACLK			
	SMCLK (internal)	SMCLK			
	Timer0_B3 CCR2B output (internal)	INCLK			
	Timer3_B7 CCR0B output (internal)	CCI0A	CCR0	TB0	Not used
	Timer0_B3 CCR0B output (internal)	CCI0B			Not used
	DVSS	GND			
	DVCC	V <sub>CC</sub>			
P2.0	TB1.1	CCI1A	CCR1	TB1	TB1.1
	Timer0_B3 CCR1B output (internal)	CCI1B			To ADC trigger
	DVSS	GND			
	DVCC	V <sub>CC</sub>			
P2.1	TB1.2	CCI2A	CCR2	TB2	TB1.2
	Timer0_B3 CCR2B output (internal)	CCI2B			IR coding input
	DVSS	GND			
	DVCC	V <sub>CC</sub>			

Table 6-18. Timer2\_B3 Signal Connections

PORT PIN	DEVICE INPUT SIGNAL	MODULE INPUT NAME	MODULE BLOCK	MODULE OUTPUT SIGNAL	DEVICE OUTPUT SIGNAL
P2.7	TB2CLK	TBCLK	Timer	N/A	
	ACLK (internal)	ACLK			
	SMCLK (internal)	SMCLK			
	$\overline{\text{TB2CLK}}$	INCLK			
	Not used	CCI0A	CCR0	TB0	Not used
	DVSS	GND			
	DVCC	V <sub>CC</sub>			
	MFM Complete Event	CCI0B			MFM start trigger
P5.0	TB2.1	CCI1A	CCR1	TB1	TB2.1
	From eCOMP1.0 (internal)	CCI1B			To SAC DAC update trigger 10b <sup>(1)</sup>
	DVSS	GND			
	DVCC	V <sub>CC</sub>			
P5.1	TB2.2	CCI2A	CCR2	TB2	TB2.2
	Not used	CCI2B			To SAC DAC update trigger 11b <sup>(1)</sup>
	DVSS	GND			
	DVCC	V <sub>CC</sub>			

(1) MSP430FR235x devices only

**Table 6-19. Timer3\_B7 Signal Connections**

PORT PIN	DEVICE INPUT SIGNAL	MODULE INPUT NAME	MODULE BLOCK	MODULE OUTPUT SIGNAL	DEVICE OUTPUT SIGNAL
P6.6	TB3CLK	TBCLK	Timer	N/A	
	ACLK (internal)	ACLK			
	SMCLK (internal)	SMCLK			
	$\overline{\text{TB3CLK}}$	INCLK			
	Not used	CCI0A	CCR0	TB0	Not used
	Not used	CCI0B			To Timer1_B3 CCI0A
	DVSS	GND			
	DVCC	V <sub>CC</sub>			
P6.0	TB3.1	CCI1A	CCR1	TB1	TB3.1
	Not used	CCI1B			
	DVSS	GND			
	DVCC	V <sub>CC</sub>			
P6.1	TB3.2	CCI2A	CCR2	TB2	TB3.2
P4.0	ISORXD	CCI2B			AND UCA1TXD ISOTXD
	DVSS	GND			
	DVCC	V <sub>CC</sub>			
P6.2	TB3.3	CCI3A	CCR3	TB3	TB3.3
	Not used	CCI3B			
	DVSS	GND			
	DVCC	V <sub>CC</sub>			
P6.3	TB3.4	CCI4A	CCR4	TB4	TB3.4
	Not used	CCI4B			Not used
	DVSS	GND			
	DVCC	V <sub>CC</sub>			
P6.4	TB3.5	CCI5A	CCR5	TB5	TB3.5
	Not used	CCI5B			Not used
	DVSS	GND			
	DVCC	V <sub>CC</sub>			
P6.5	TB3.6	CCI6A	CCR6	TB6	TB3.6
	Not used	CCI6B			Not used
	DVSS	GND			
	DVCC	V <sub>CC</sub>			

The interconnection of Timer0\_B3 and Timer1\_B3 can be used to modulate the eUSCI\_A pin of UCA0TXD/UCA0SIMO in either ASK or FSK mode, with which a user can easily acquire a modulated infrared command for directly driving an external IR diode. The IR functions are fully controlled by SYS configuration registers 1 including IREN (enable), IRPSEL (polarity select), IRMSEL (mode select), IRDSSEL (data select), and IRDATA (data) bits. For more information, see the SYS chapter in the [MSP430FR4xx and MSP430FR2xx Family User's Guide](#).

The Timer\_B module feature the function to put Timer\_B all outputs into a high impedance state when the selected source is triggered. The source can be selected from external pin or internal of the device, it is controlled by TBxTRG in SYS. For more information, see the SYS chapter in the [MSP430FR4xx and MSP430FR2xx Family User's Guide](#).

The Timer2\_B3 CCR0 is tied with the Manchester function module (MFM).

Table 6-20 lists the Timer\_B high-impedance trigger sources.

**Table 6-20. TBxOUTH**

TBxTRGSEL	TBxOUTH TRIGGER SOURCE SELECTION	TIMER_B PAD OUTPUT HIGH IMPEDANCE
TB0TRGSEL = 0	eCOMP0 output (internal)	P1.6, P1.7
TB0TRGSEL = 1	P1.2	
TB1TRGSEL = 0	eCOMP0 output (internal)	P2.0, P2.1
TB1TRGSEL = 1	P2.3	
TB2TRGSEL = 0	eCOMP1 output (internal)	P5.0, P5.1
TB2TRGSEL = 1	P5.3	
TB3TRGSEL = 0	eCOMP1 output (internal)	P6.0, P6.1, P6.2, P6.3, P6.4, P6.5
TB3TRGSEL = 1	N/A	

### 6.10.10 Backup Memory (BKMEM)

The BKMEM supports data retention functionality during LPM3.5 mode. This device provides up to 32 bytes that are retained during LPM3.5.

### 6.10.11 Real-Time Clock (RTC) Counter

The RTC counter is a 16-bit modulo counter that is functional in AM, LPM0, LPM3, LPM4, and LPM3.5. This module can periodically wake up the CPU from LPM0, LPM3, LPM4, and LPM3.5 based on timing from a low-power clock source such as the XT1, ACLK, and VLO clocks. In AM, RTC can be driven by SMCLK to generate high-frequency timing events and interrupts. ACLK and SMCLK both can source to the RTC; however, only one of them can be selected at a time. The RTC overflow events can trigger:

- Timer0\_B3 CCI0A
- ADC conversion trigger when ADCSHSx bits are set as 01b



### 6.10.12 12-Bit Analog-to-Digital Converter (ADC)

The 12-bit ADC module supports fast 12-bit analog-to-digital conversions with single-ended input. The module implements a 12-bit SAR core, sample select control, reference generator and a conversion result buffer. A window comparator with a lower and upper limits allows CPU-independent result monitoring with three window comparator interrupt flags.

The ADC supports 12 external inputs and four internal inputs (see [Table 6-21](#)).

**Table 6-21. ADC Channel Connections**

ADCINCHx	ADC CHANNELS	EXTERNAL PIN OUTPUT
0	A0/Veref+	P1.0
1	A1/	P1.1
2	A2/Veref-	P1.2
3	A3	P1.3
4	A4	P1.4
5	A5	P1.5
6	A6	P1.6
7	A7 <sup>(1)</sup>	P1.7
8	A8	P5.0
9	A9	P5.1
10	A10	P5.2
11	A11	P5.3
12	On-chip temperature sensor	N/A
13	Internal shared reference voltage (1.5 V, 2.0 V, or 2.5 V)	N/A
14	DVSS	N/A
15	DVCC	N/A

(1) When A7 is used, the PMM 1.2-V reference voltage can be output to this pin by setting the PMM control register. The 1.2-V voltage can be measured by channel A7.

The analog-to-digital conversion can be started by software or a hardware trigger. [Table 6-22](#) lists the trigger sources that are available.

**Table 6-22. ADC Trigger Signal Connections**

ADC SHSx		TRIGGER SOURCE
BINARY	DECIMAL	
00	0	ADCSC bit (software trigger)
01	1	RTC event
10	2	TB1.1B
11	3	eCOMP0 COUT

### 6.10.13 Enhanced Comparator

This device features two enhanced comparators: eCOMP0 and eCOMP1. The enhanced comparator is an analog voltage comparator with a built-in 6-bit DAC as an internal voltage reference. The integrated 6-bit DAC can be set to 64 steps for the comparator reference voltage. This module has 4-level programmable hysteresis and configurable power modes: high-power mode or low-power mode.

The eCOMP0 supports a propagation delay up to 1  $\mu$ s in high-power mode. In low-power mode, eCOMP0 supports 3.2- $\mu$ s delay with 1.5- $\mu$ A leakage at room temperature, which can be an ideal wake-up source in LPM3 for a voltage monitor.

The eCOMP1 supports a propagation delay up to 100 ns in high-power mode. In low-power mode, eCOMP1 supports 320-ns delay with 10- $\mu$ A leakage at room temperature.

Both eCOMP0 and eCOMP1 contains a programmable 6-bit DAC that can use internal shared reference (1.5, 2.0, or 2.5-V) for high precision comparison threshold. In addition to internal shared reference, a low-power 1.2-V reference is fixed at channel 2 of both inverting and non-inverting path that allows the DAC turned off for saving powers.

The eCOMP0 supports external inputs and internal inputs (see [Table 6-23](#)) and outputs (see [Table 6-25](#))

**Table 6-23. eCOMP0 Input Channel Connections**

CPPSEL	eCOMP0 CHANNELS	CPNSEL	eCOMP0 CHANNELS
000	P1.0/COMP0.0/A0	000	P1.0/COMP0.0/A0
001	P1.1/OA0O/COMP0.1/A1	001	P1.1/OA0O/COMP0.1/A1
010	Low-power 1.2-V reference	010	Low-power 1.2-V reference
011	N/A	011	N/A
100	N/A	100	N/A
101	P1.1/OA0O/COMP0.1/A1	101	P3.1/OA2O
110	eCOMP0 6-bit DAC	110	eCOMP0 6-bit DAC

**Table 6-24. eCOMP1 Input Channel Connections**

CPPSEL	eCOMP1 CHANNELS	CPNSEL	eCOMP1 CHANNELS
000	P2.5/COMP1.0	000	P2.5/COMP1.0
001	P2.4/COMP1.1	001	P2.4/COMP1.1
010	Low-power 1.2-V reference	010	Low-power 1.2-V reference
011	N/A	011	N/A
100	N/A	100	N/A
101	P1.5/OA1O/A5	101	P3.5/OA3O
110	eCOMP1 6-bit DAC	110	eCOMP1 6-bit DAC

**Table 6-25. eCOMP0 Output Channel Connections**

ECOMP0 OUT	EXTERNAL PINOUT, MODULE
1	P2.0
2	TB0.1B, TB0 (TB0OUTH), TB1 (TB1OUTH), ADC trigger
3	Reserved
4	Reserved

**Table 6-26. eCOMP1 Output Channel Connections**

ECOMP1 OUT	EXTERNAL PINOUT, MODULE
1	P2.1
2	TB2.1B, TB2 (TB2OUTH), TB3 (TB3OUTH)
3	Reserved
4	MFM input

#### 6.10.14 Manchester Function Module (MFM)

The MFM is a dedicated module residing between a pair of pins and eUSCI\_B1 to encode and decode Manchester-coded data. For more information, see the MFM chapter in the [MSP430FR4xx and MSP430FR2xx Family User's Guide](#).

When enabled by setting PSEL, the MFM module receives and transmits data through P5.0/TB2.1/MFM.RX/A8 and P5.1/TB2.2/MFM.TX/A9, respectively. The MFM always works in SPI master mode, and the eUSCI\_B1 must be configured in 4-wire SPI slave mode.

#### 6.10.15 Smart Analog Combo (SAC) (MSP430FR235x Devices Only)

The MSP430FR235x devices integrate four SAC modules: SAC0, SAC1, SAC2, and SAC3. The SAC integrates a high-performance low-power operational amplifier. SAC-L3 supports a hybrid configuration of general-purpose amplifier, 12-bit voltage reference DAC, and a multiplex switch array. For more information, see the SAC chapter in the [MSP430FR4xx and MSP430FR2xx Family User's Guide](#). Only MSP430FR235x devices implement the SAC modules. MSP430FR215x devices do not support SAC modules.

The SAC0 and SAC2 are interconnected and support external inputs and internal inputs (see [Table 6-27](#) and [Table 6-28](#)).

**Table 6-27. SAC0 Channel Connections**

PSEL	SAC0 OA NONINVERTING CHANNELS	NSEL	SAC0 OA INVERTING CHANNELS
00	P1.3/OA0+/A3	00	P1.2/OA0-/A2
01	SAC0 12-bit DAC	01	PGA feedback
10	P3.1/OA2O, SAC2 OA output	10	P3.1/OA2O, SAC2 OA output
11	N/A	11	N/A

**Table 6-28. SAC2 Channel Connections**

PSEL	SAC2 OA NONINVERTING CHANNELS	NSEL	SAC2 OA INVERTING CHANNELS
00	P3.3/OA2+	00	P3.2/OA2-
01	SAC2 12-bit DAC	01	PGA feedback
10	P1.1/UCB0CLK/ACLK/OA0O/COMP0.1/A1, SAC0 OA output	10	P1.1/UCB0CLK/ACLK/OA0O/COMP0.1/A1, SAC0 OA output
11	N/A	11	N/A

The SAC1 and SAC3 are interconnected and support external inputs and internal inputs (see [Table 6-29](#) and [Table 6-30](#)).

**Table 6-29. SAC1 Channel Connections**

PSEL	SAC1 OA NONINVERTING CHANNELS	NSEL	SAC1 OA INVERTING CHANNELS
00	P1.7/OA1+/A7	00	P1.6/OA1-/A6
01	SAC1 12-bit DAC	01	PGA feedback
10	P3.5/OA3O, SAC3 OA output	10	P3.5/OA3O, SAC3 OA output
11	N/A	11	N/A

**Table 6-30. SAC3 Channel Connections**

PSEL	SAC3 OA NONINVERTING CHANNELS	NSEL	SAC3 OA INVERTING CHANNELS
00	P3.7/OA3+	00	P3.6/OA3-
01	SAC3 12-bit DAC	01	PGA feedback
10	P1.5/OA10/A5, SAC1 OA output	10	P1.5/OA10/A5, SAC1 OA output
11	N/A	11	N/A

Each SAC DAC supports two selectable voltage references (see [Table 6-31](#)).

**Table 6-31. SACx DAC Reference Selection**

DACSREF	SACx DAC REFERENCE SELECTION
0	DVCC
1	Internal shared reference (1.5, 2.0, or 2.5 V )
DACSREF	SAC1 DAC REFERENCE
0	DVCC
1	Internal shared reference (1.5, 2.0, or 2.5 V )
DACSREF	SAC2 DAC REFERENCE
0	DVCC
1	Internal shared reference (1.5, 2.0, or 2.5 V )
DACSREF	SAC3 DAC REFERENCE
0	DVCC
1	Internal shared reference (1.5, 2.0, or 2.5 V )

Each SAC DAC supports one software trigger and two hardware trigger from chip signals.

**Table 6-32. SACx DAC Hardware Trigger Selection**

DACLSEL	SAC0 DAC HARDWARE TRIGGER	DACLSEL	SAC1 DAC HARDWARE TRIGGER
00	Writing SAC0DACDAT register	00	Writing SAC1DACDAT register
01	N/A	01	N/A
10	TB2.1	10	TB2.1
11	TB2.2	11	TB2.2
DACLSEL	SAC2 DAC HARDWARE TRIGGER	DACLSEL	SAC3 DAC HARDWARE TRIGGER
00	Writing SAC2DACDAT register	00	Writing SAC3DACDAT register
01	N/A	01	N/A
10	TB2.1	10	TB2.1
11	TB2.2	11	TB2.2

### 6.10.16 eCOMP0, eCOMP1, SAC0, SAC1, SAC2, and SAC3 Interconnection (MSP430FR235x Devices Only)

The high-performance analog modules of eCOMP0, SAC0, and SAC2 are internally connected (see Figure 6-1).

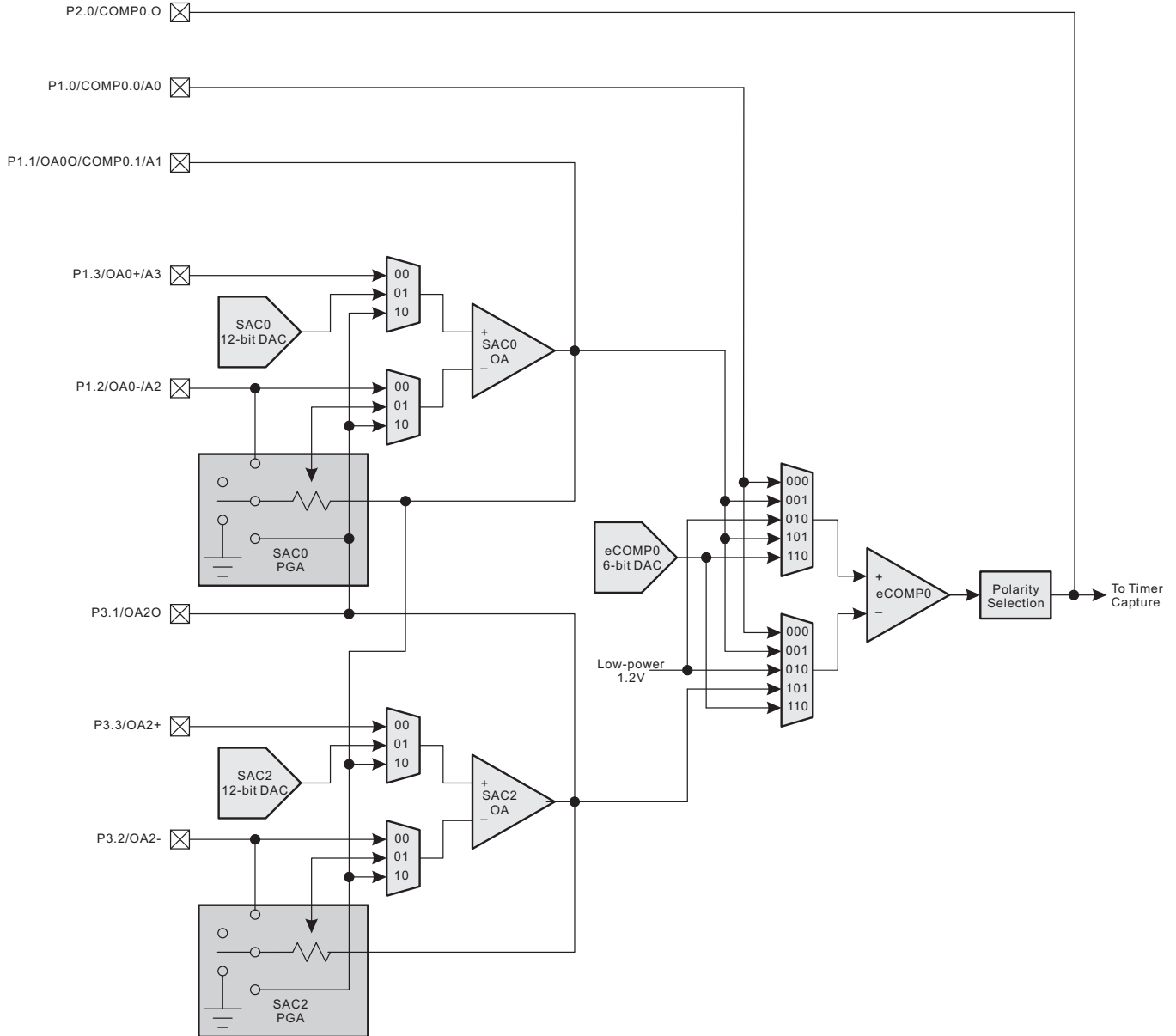


Figure 6-1. eCOMP0, SAC0, SAC2 Interconnection

The high-performance analog modules of eCOMP1, SAC1, and SAC3 are internally connected (see Figure 6-2):

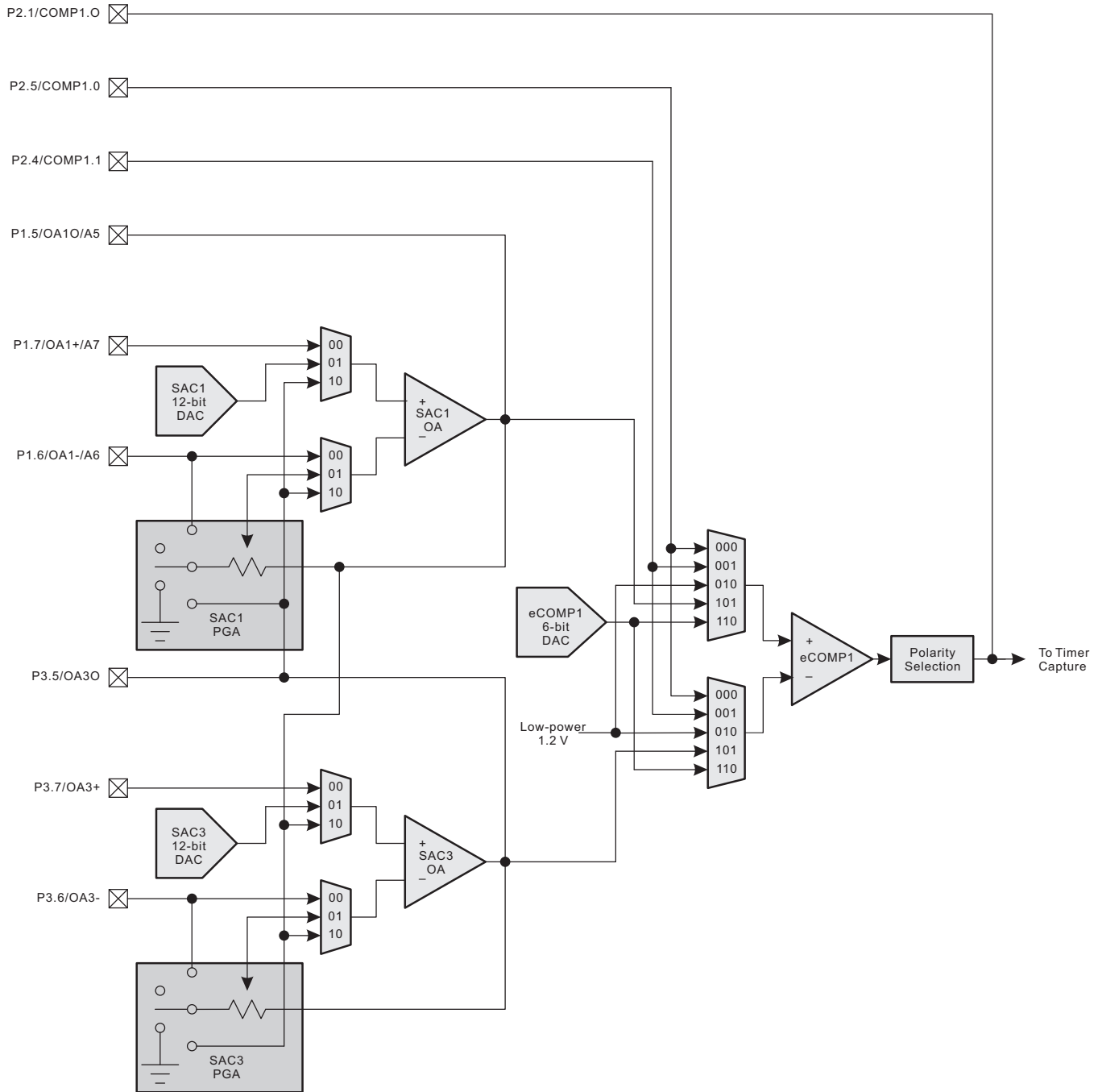


Figure 6-2. eCOMP1, SAC1, SAC3 Interconnection

### 6.10.17 Cross-Chip Interconnection (SACx are MSP430FR235x Devices Only)

This section describes the cross-chip interconnections in a full-featured view.

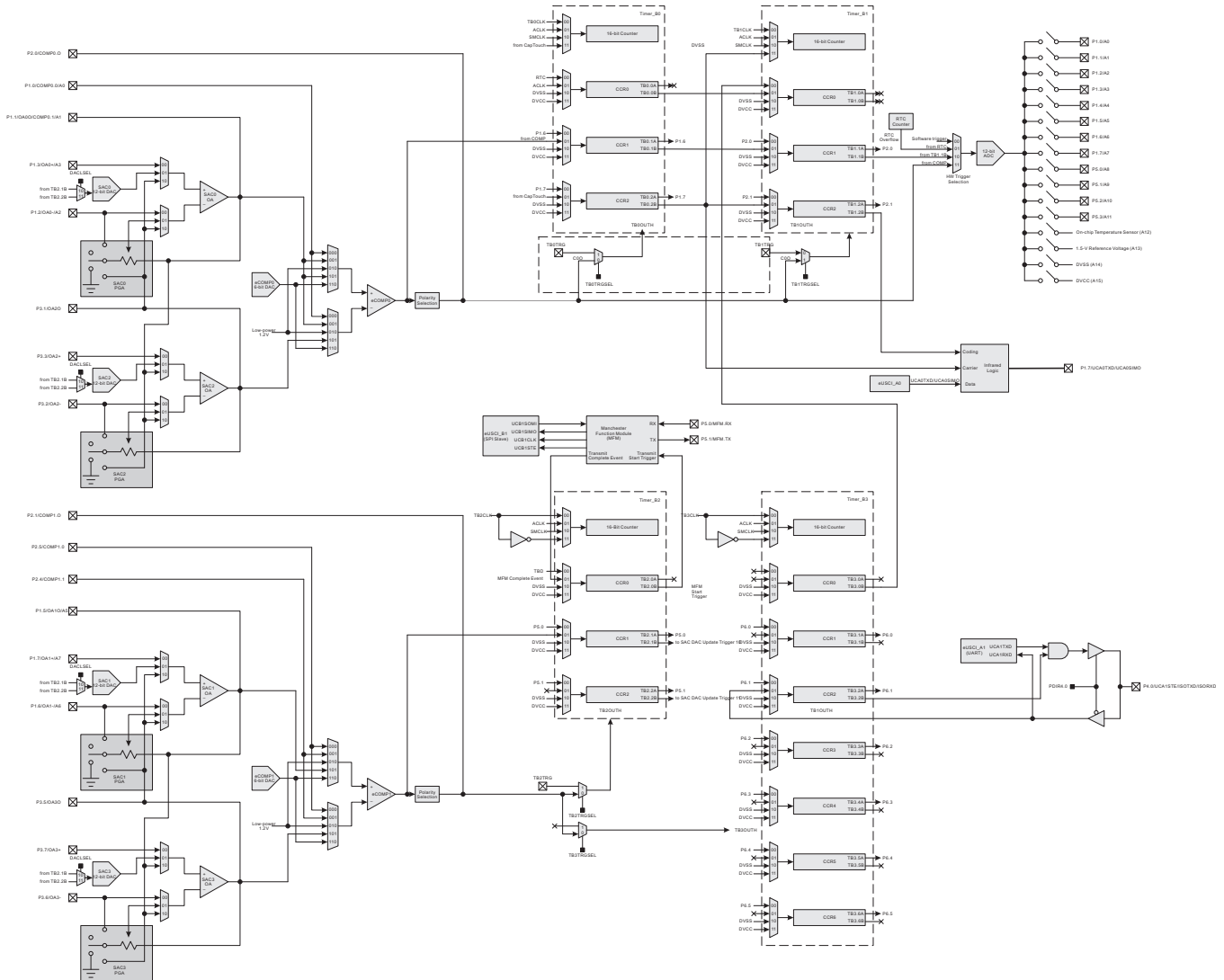


Figure 6-3. Cross-Chip Interconnection

### 6.10.18 Embedded Emulation Module (EEM)

The EEM supports real-time in-system debugging. The EEM on these devices has the following features:

- Three hardware triggers or breakpoints on memory access
- One hardware trigger or breakpoint on CPU register write access
- Up to four hardware triggers can be combined to form complex triggers or breakpoints
- One cycle counter
- Clock control on module level

### 6.10.19 Peripheral File Map

Table 6-33 lists the base address and the memory size of each peripheral's registers.

**Table 6-33. Peripherals Summary**

MODULE NAME	BASE ADDRESS	SIZE
Special Functions (see Table 6-34)	0100h	0010h
PMM (see Table 6-35)	0120h	0020h
SYS (see Table 6-36)	0140h	0040h
CS (see Table 6-37)	0180h	0020h
FRAM (see Table 6-38)	01A0h	0010h
CRC (see Table 6-39)	01C0h	0008h
WDT (see Table 6-40)	01CCh	0002h
Port P1, P2 (see Table 6-41)	0200h	0020h
Port P3, P4 (see Table 6-42)	0220h	0020h
Port P5, P6 (see Table 6-43)	0240h	0020h
RTC (see Table 6-44)	0300h	0010h
Timer0_B3 (see Table 6-45)	0380h	0030h
Timer1_B3 (see Table 6-46)	03C0h	0030h
Timer2_B3 (see Table 6-47)	0400h	0030h
Timer3_B7 (see Table 6-48)	0440h	0030h
MPY32 (see Table 6-49)	04C0h	0030h
eUSCI_A0 (see Table 6-50)	0500h	0020h
eUSCI_B0 (see Table 6-51)	0540h	0030h
eUSCI_A1 (see Table 6-52)	0580h	0020h
eUSCI_B1 (see Table 6-53)	05C0h	0030h
Backup Memory (see Table 6-54)	0660h	0020h
ICC (see Table 6-55)	06C0h	0010h
ADC (see Table 6-56)	0700h	0040h
eCOMP0 (see Table 6-57)	08E0h	0020h
eCOMP1 (see Table 6-58)	0900h	0020h
SAC0 (see Table 6-59) <sup>(1)</sup>	0C80h	0010h
SAC1 (see Table 6-60) <sup>(1)</sup>	0C90h	0010h
SAC2 (see Table 6-61) <sup>(1)</sup>	0CA0h	0010h
SAC3 (see Table 6-62) <sup>(1)</sup>	0CB0h	0010h

(1) MSP430FR235x devices only



**Table 6-34. Special Function Registers (Base Address: 0100h)**

REGISTER DESCRIPTION	ACRONYM	OFFSET
SFR interrupt enable	SFRIE1	00h
SFR interrupt flag	SFRIFG1	02h
SFR reset pin control	SFRRPCR	04h

**Table 6-35. PMM Registers (Base Address: 0120h)**

REGISTER DESCRIPTION	ACRONYM	OFFSET
PMM control 0	PMMCTL0	00h
PMM control 1	PMMCTL1	02h
PMM control 2	PMMCTL2	04h
PMM interrupt flags	PMMIFG	0Ah
PM5 control 0	PM5CTL0	10h

**Table 6-36. SYS Registers (Base Address: 0140h)**

REGISTER DESCRIPTION	ACRONYM	OFFSET
System control	SYCTL	00h
Bootloader configuration area	SYSBSLC	02h
JTAG mailbox control	SYSJMBC	06h
JTAG mailbox input 0	SYSJMBI0	08h
JTAG mailbox input 1	SYSJMBI1	0Ah
JTAG mailbox output 0	SYSJMBO0	0Ch
JTAG mailbox output 1	SYSJMBO1	0Eh
User NMI vector generator	SYSUNIV	1Ah
System NMI vector generator	SYSSNIV	1Ch
Reset vector generator	SYSRSTIV	1Eh
System configuration 0	SYSCFG0	20h
System configuration 1	SYSCFG1	22h
System configuration 2	SYSCFG2	24h
System configuration 3	SYSCFG3	26h

**Table 6-37. CS Registers (Base Address: 0180h)**

REGISTER DESCRIPTION	ACRONYM	OFFSET
CS control 0	CSCTL0	00h
CS control 1	CSCTL1	02h
CS control 2	CSCTL2	04h
CS control 3	CSCTL3	06h
CS control 4	CSCTL4	08h
CS control 5	CSCTL5	0Ah
CS control 6	CSCTL6	0Ch
CS control 7	CSCTL7	0Eh
CS control 8	CSCTL8	10h

**Table 6-38. FRAM Registers (Base Address: 01A0h)**

REGISTER DESCRIPTION	ACRONYM	OFFSET
FRAM control 0	FRCTL0	00h
General control 0	GCCTL0	04h
General control 1	GCCTL1	06h

**Table 6-39. CRC Registers (Base Address: 01C0h)**

REGISTER DESCRIPTION	ACRONYM	OFFSET
CRC data input	CRC16DI	00h
CRC data input reverse byte	CRCDIRB	02h
CRC initialization and result	CRCINIRES	04h
CRC result reverse byte	CRCRESR	06h

**Table 6-40. WDT Registers (Base Address: 01CCh)**

REGISTER DESCRIPTION	ACRONYM	OFFSET
Watchdog timer control	WDTCTL	00h

**Table 6-41. Port P1, P2 Registers (Base Address: 0200h)**

REGISTER DESCRIPTION	ACRONYM	OFFSET
Port P1 input	P1IN	00h
Port P1 output	P1OUT	02h
Port P1 direction	P1DIR	04h
Port P1 pulling enable	P1REN	06h
Port P1 selection 0	P1SEL0	0Ah
Port P1 selection 1	P1SEL1	0Ch
Port P1 interrupt vector word	P1IV	0Eh
Port P1 complement selection	P1SELC	16h
Port P1 interrupt edge select	P1IES	18h
Port P1 interrupt enable	P1IE	1Ah
Port P1 interrupt flag	P1IFG	1Ch
Port P2 input	P2IN	01h
Port P2 output	P2OUT	03h
Port P2 direction	P2DIR	05h
Port P2 pulling enable	P2REN	07h
Port P2 selection 0	P2SEL0	0Bh
Port P2 selection 1	P2SEL1	0Dh
Port P2 interrupt vector word	P2IV	1Eh
Port P2 complement selection	P2SELC	17h
Port P2 interrupt edge select	P2IES	19h
Port P2 interrupt enable	P2IE	1Bh
Port P2 interrupt flag	P2IFG	1Dh

**Table 6-42. Port P3, P4 Registers (Base Address: 0220h)**

REGISTER DESCRIPTION	ACRONYM	OFFSET
Port P3 input	P3IN	00h
Port P3 output	P3OUT	02h
Port P3 direction	P3DIR	04h
Port P3 pulling enable	P3REN	06h
Port P3 selection 0	P3SEL0	0Ah
Port P3 selection 1	P3SEL1	0Ch
Port P3 interrupt vector word	P3IV	0Eh
Port P3 complement selection	P3SELC	16h
Port P3 interrupt edge select	P3IES	18h
Port P3 interrupt enable	P3IE	1Ah
Port P3 interrupt flag	P3IFG	1Ch
Port P4 input	P4IN	01h
Port P4 output	P4OUT	03h
Port P4 direction	P4DIR	05h
Port P4 pulling enable	P4REN	07h
Port P4 selection 0	P4SEL0	0Bh
Port P4 selection 1	P4SEL1	0Dh
Port P4 interrupt vector word	P4IV	1Eh
Port P4 complement selection	P4SELC	17h
Port P4 interrupt edge select	P4IES	19h
Port P4 interrupt enable	P4IE	1Bh
Port P4 interrupt flag	P4IFG	1Dh

**Table 6-43. Port P5, P6 Registers (Base Address: 0240h)**

REGISTER DESCRIPTION	ACRONYM	OFFSET
Port P5 input	P5IN	00h
Port P5 output	P5OUT	02h
Port P5 direction	P5DIR	04h
Port P5 pulling enable	P5REN	06h
Port P5 selection 0	P5SEL0	0Ah
Port P5 selection 1	P5SEL1	0Ch
Port P5 complement selection	P5SELC	16h
Port P6 input	P6IN	01h
Port P6 output	P6OUT	03h
Port P6 direction	P6DIR	05h
Port P6 pulling enable	P6REN	07h
Port P6 selection 0	P6SEL0	0Bh
Port P6 selection 1	P6SEL1	0Dh
Port P6 complement selection	P6SELC	17h

**Table 6-44. RTC Registers (Base Address: 0300h)**

REGISTER DESCRIPTION	ACRONYM	OFFSET
RTC control	RTCCTL	00h
RTC interrupt vector	RTCIV	04h
RTC modulo	RTCMOD	08h
RTC counter	RTCCNT	0Ch

**Table 6-45. Timer0\_B3 Registers (Base Address: 0380h)**

REGISTER DESCRIPTION	ACRONYM	OFFSET
TB0 control	TB0CTL	00h
Capture/compare control 0	TB0CCTL0	02h
Capture/compare control 1	TB0CCTL1	04h
Capture/compare control 2	TB0CCTL2	06h
TB0 counter	TB0R	10h
Capture/compare 0	TB0CCR0	12h
Capture/compare 1	TB0CCR1	14h
Capture/compare 2	TB0CCR2	16h
TB0 expansion 0	TB0EX0	20h
TB0 interrupt vector	TB0IV	2Eh

**Table 6-46. Timer1\_B3 Registers (Base Address: 03C0h)**

REGISTER DESCRIPTION	ACRONYM	OFFSET
TB1 control	TB1CTL	00h
Capture/compare control 0	TB1CCTL0	02h
Capture/compare control 1	TB1CCTL1	04h
Capture/compare control 2	TB1CCTL2	06h
TB1 counter	TB1R	10h
Capture/compare 0	TB1CCR0	12h
Capture/compare 1	TB1CCR1	14h
Capture/compare 2	TB1CCR2	16h
TB1 expansion 0	TB1EX0	20h
TB1 interrupt vector	TB1IV	2Eh

**Table 6-47. Timer2\_B3 Registers (Base Address: 0400h)**

REGISTER DESCRIPTION	ACRONYM	OFFSET
TB2 control	TB2CTL	00h
Capture/compare control 0	TB2CCTL0	02h
Capture/compare control 1	TB2CCTL1	04h
Capture/compare control 2	TB2CCTL2	06h
TB2 counter	TB2R	10h
Capture/compare 0	TB2CCR0	12h
Capture/compare 1	TB2CCR1	14h
Capture/compare 2	TB2CCR2	16h
TB2 expansion 0	TB2EX0	20h
TB2 interrupt vector	TB2IV	2Eh

**Table 6-48. Timer3\_B7 Registers (Base Address: 0440h)**

REGISTER DESCRIPTION	ACRONYM	OFFSET
TB3 control	TB3CTL	00h
Capture/compare control 0	TB3CCTL0	02h
Capture/compare control 1	TB3CCTL1	04h
Capture/compare control 2	TB3CCTL2	06h
Capture/compare control 3	TB3CCTL3	08h
Capture/compare control 4	TB3CCTL4	0Ah
Capture/compare control 5	TB3CCTL5	0Ch
Capture/compare control 6	TB3CCTL6	0Eh
TB3 counter	TB3R	10h
Capture/compare 0	TB3CCR0	12h
Capture/compare 1	TB3CCR1	14h
Capture/compare 2	TB3CCR2	16h
Capture/compare 3	TB3CCR3	18h
Capture/compare 4	TB3CCR4	1Ah
Capture/compare 5	TB3CCR5	1Ch
Capture/compare 6	TB3CCR6	1Eh
TB3 expansion 0	TB3EX0	20h
TB3 interrupt vector	TB3IV	2Eh

**Table 6-49. MPY32 Registers (Base Address: 04C0h)**

REGISTER DESCRIPTION	ACRONYM	OFFSET
16-bit operand 1 – multiply	MPY	00h
16-bit operand 1 – signed multiply	MPYS	02h
16-bit operand 1 – multiply accumulate	MAC	04h
16-bit operand 1 – signed multiply accumulate	MACS	06h
16-bit operand 2	OP2	08h
16 × 16 result low word	RESLO	0Ah
16 × 16 result high word	RESHI	0Ch
16 × 16 sum extension	SUMEXT	0Eh
32-bit operand 1 – multiply low word	MPY32L	10h
32-bit operand 1 – multiply high word	MPY32H	12h
32-bit operand 1 – signed multiply low word	MPYS32L	14h
32-bit operand 1 – signed multiply high word	MPYS32H	16h
32-bit operand 1 – multiply accumulate low word	MAC32L	18h
32-bit operand 1 – multiply accumulate high word	MAC32H	1Ah
32-bit operand 1 – signed multiply accumulate low word	MACS32L	1Ch
32-bit operand 1 – signed multiply accumulate high word	MACS32H	1Eh
32-bit operand 2 – low word	OP2L	20h
32-bit operand 2 – high word	OP2H	22h
32 × 32 result 0 – least significant word	RES0	24h
32 × 32 result 1	RES1	26h
32 × 32 result 2	RES2	28h
32 × 32 result 3 – most significant word	RES3	2Ah
MPY32 control 0	MPY32CTL0	2Ch

**Table 6-50. eUSCI\_A0 Registers (Base Address: 0500h)**

REGISTER DESCRIPTION	ACRONYM	OFFSET
eUSCI_A control word 0	UCA0CTLW0	00h
eUSCI_A control word 1	UCA0CTLW1	02h
eUSCI_A control rate 0	UCA0BR0	06h
eUSCI_A control rate 1	UCA0BR1	07h
eUSCI_A modulation control	UCA0MCTLW	08h
eUSCI_A status	UCA0STAT	0Ah
eUSCI_A receive buffer	UCA0RXBUF	0Ch
eUSCI_A transmit buffer	UCA0TXBUF	0Eh
eUSCI_A LIN control	UCA0ABCTL	10h
eUSCI_A IrDA transmit control	IUCA0IRTCTL	12h
eUSCI_A IrDA receive control	IUCA0IRRCTL	13h
eUSCI_A interrupt enable	UCA0IE	1Ah
eUSCI_A interrupt flags	UCA0IFG	1Ch
eUSCI_A interrupt vector word	UCA0IV	1Eh

**Table 6-51. eUSCI\_B0 Registers (Base Address: 0540h)**

REGISTER DESCRIPTION	ACRONYM	OFFSET
eUSCI_B control word 0	UCB0CTLW0	00h
eUSCI_B control word 1	UCB0CTLW1	02h
eUSCI_B bit rate 0	UCB0BR0	06h
eUSCI_B bit rate 1	UCB0BR1	07h
eUSCI_B status word	UCB0STATW	08h
eUSCI_B byte counter threshold	UCB0TBCNT	0Ah
eUSCI_B receive buffer	UCB0RXBUF	0Ch
eUSCI_B transmit buffer	UCB0TXBUF	0Eh
eUSCI_B I2C own address 0	UCB0I2COA0	14h
eUSCI_B I2C own address 1	UCB0I2COA1	16h
eUSCI_B I2C own address 2	UCB0I2COA2	18h
eUSCI_B I2C own address 3	UCB0I2COA3	1Ah
eUSCI_B receive address	UCB0ADDRX	1Ch
eUSCI_B address mask	UCB0ADDMASK	1Eh
eUSCI_B I2C slave address	UCB0I2CSA	20h
eUSCI_B interrupt enable	UCB0IE	2Ah
eUSCI_B interrupt flags	UCB0IFG	2Ch
eUSCI_B interrupt vector word	UCB0IV	2Eh

**Table 6-52. eUSCI\_A1 Registers (Base Address: 0580h)**

REGISTER DESCRIPTION	ACRONYM	OFFSET
eUSCI_A control word 0	UCA1CTLW0	00h
eUSCI_A control word 1	UCA1CTLW1	02h
eUSCI_A control rate 0	UCA1BR0	06h
eUSCI_A control rate 1	UCA1BR1	07h
eUSCI_A modulation control	UCA1MCTLW	08h
eUSCI_A status	UCA1STAT	0Ah
eUSCI_A receive buffer	UCA1RXBUF	0Ch
eUSCI_A transmit buffer	UCA1TXBUF	0Eh
eUSCI_A LIN control	UCA1ABCTL	10h
eUSCI_A IrDA transmit control	IUCA1IRTCTL	12h
eUSCI_A IrDA receive control	IUCA1IRRCTL	13h
eUSCI_A interrupt enable	UCA1IE	1Ah
eUSCI_A interrupt flags	UCA1IFG	1Ch
eUSCI_A interrupt vector word	UCA1IV	1Eh

**Table 6-53. eUSCI\_B1 Registers (Base Address: 05C0h)**

REGISTER DESCRIPTION	ACRONYM	OFFSET
eUSCI_B control word 0	UCB1CTLW0	00h
eUSCI_B control word 1	UCB1CTLW1	02h
eUSCI_B bit rate 0	UCB1BR0	06h
eUSCI_B bit rate 1	UCB1BR1	07h
eUSCI_B status word	UCB1STATW	08h
eUSCI_B byte counter threshold	UCB1TBCNT	0Ah
eUSCI_B receive buffer	UCB1RXBUF	0Ch
eUSCI_B transmit buffer	UCB1TXBUF	0Eh
eUSCI_B I2C own address 0	UCB1I2COA0	14h
eUSCI_B I2C own address 1	UCB1I2COA1	16h
eUSCI_B I2C own address 2	UCB1I2COA2	18h
eUSCI_B I2C own address 3	UCB1I2COA3	1Ah
eUSCI_B receive address	UCB1ADDRX	1Ch
eUSCI_B address mask	UCB1ADDMASK	1Eh
eUSCI_B I2C slave address	UCB1I2CSA	20h
eUSCI_B interrupt enable	UCB1IE	2Ah
eUSCI_B interrupt flags	UCB1IFG	2Ch
eUSCI_B interrupt vector word	UCB1IV	2Eh

**Table 6-54. Backup Memory Registers (Base Address: 0660h)**

REGISTER DESCRIPTION	ACRONYM	OFFSET
Backup memory 0	BAKMEM0	00h
Backup memory 1	BAKMEM1	02h
Backup memory 2	BAKMEM2	04h
Backup memory 3	BAKMEM3	06h
Backup memory 4	BAKMEM4	08h
Backup memory 5	BAKMEM5	0Ah
Backup memory 6	BAKMEM6	0Ch
Backup memory 7	BAKMEM7	0Eh
Backup memory 8	BAKMEM8	10h
Backup memory 9	BAKMEM9	12h
Backup memory 10	BAKMEM10	14h
Backup memory 11	BAKMEM11	16h
Backup memory 12	BAKMEM12	18h
Backup memory 13	BAKMEM13	1Ah
Backup memory 14	BAKMEM14	1Ch
Backup memory 15	BAKMEM15	1Eh

**Table 6-55. ICC Registers (Base Address: 06C0h)**

REGISTER DESCRIPTION	ACRONYM	OFFSET
ICC status and control	ICCSC	00h
ICC mask virtual stack	ICCMVS	02h
ICC interrupt level setting 0	ICCILSR0	04h
ICC interrupt level setting 1	ICCILSR1	06h
ICC interrupt level setting 2	ICCILSR2	08h
ICC interrupt level setting 3	ICCILSR3	0Ah

**Table 6-56. ADC Registers (Base Address: 0700h)**

REGISTER DESCRIPTION	ACRONYM	OFFSET
ADC control 0	ADCCTL0	00h
ADC control 1	ADCCTL1	02h
ADC control 2	ADCCTL2	04h
ADC window comparator low threshold	ADCLO	06h
ADC window comparator high threshold	ADCHI	08h
ADC memory control 0	ADCMCTL0	0Ah
ADC conversion memory	ADCMEM0	12h
ADC interrupt enable	ADCIE	1Ah
ADC interrupt flags	ADCIFG	1Ch
ADC interrupt vector word	ADCIV	1Eh



**Table 6-57. eCOMP0 Registers (Base Address: 08E0h)**

REGISTER DESCRIPTION	ACRONYM	OFFSET
Comparator control 0	CP0CTL0	00h
Comparator control 1	CP0CTL1	02h
Comparator interrupt	CP0INT	06h
Comparator interrupt vector	CP0IV	08h
Comparator built-in DAC control	CP0DACCTL	10h
Comparator built-in DAC data	CP0DACDATA	12h

**Table 6-58. eCOMP1 Registers (Base Address: 0900h)**

REGISTER DESCRIPTION	ACRONYM	OFFSET
Comparator control 0	CP1CTL0	00h
Comparator control 1	CP1CTL1	02h
Comparator interrupt	CP1INT	06h
Comparator interrupt vector	CP1IV	08h
Comparator built-in DAC control	CP1DACCTL	10h
Comparator built-in DAC data	CP1DACDATA	12h

**Table 6-59. SAC0 Registers (Base Address: 0C80h, MSP430FR235x Devices Only)**

REGISTER DESCRIPTION	ACRONYM	OFFSET
SAC0 OA control	SAC0OA	00h
SAC0 PGA control	SAC0PGA	02h
SAC0 DAC control	SAC0DAC	04h
SAC0 DAC data	SAC0DAT	06h
SAC0 DAC status	SAC0DATSTS	08h
SAC0 interrupt vector	SAC0IV	0Ah

**Table 6-60. SAC1 Registers (Base Address: 0C90h, MSP430FR235x Devices Only)**

REGISTER DESCRIPTION	ACRONYM	OFFSET
SAC1 OA control	SAC1OA	00h
SAC1 PGA control	SAC1PGA	02h
SAC1 DAC control	SAC1DAC	04h
SAC1 DAC data	SAC1DAT	06h
SAC1 DAC status	SAC1DATSTS	08h
SAC1 interrupt vector	SAC1IV	0Ah

**Table 6-61. SAC2 Registers (Base Address: 0CA0h, MSP430FR235x Devices Only)**

REGISTER DESCRIPTION	ACRONYM	OFFSET
SAC2 OA control	SAC2OA	00h
SAC2 PGA control	SAC2PGA	02h
SAC2 DAC control	SAC2DAC	04h
SAC2 DAC data	SAC2DAT	06h
SAC2 DAC status	SAC2DATSTS	08h
SAC2 interrupt vector	SAC2IV	0Ah

**Table 6-62. SAC3 Registers (Base Address: 0CB0h, MSP430FR235x Devices Only)**

REGISTER DESCRIPTION	ACRONYM	OFFSET
SAC3 OA control	SAC3OA	00h
SAC3 PGA control	SAC3PGA	02h
SAC3 DAC control	SAC3DAC	04h
SAC3 DAC data	SAC3DAT	06h
SAC3 DAC status	SAC3DATSTS	08h
SAC3 interrupt vector	SAC3IV	0Ah

## 6.11 Input/Output Diagrams

### 6.11.1 Port P1 Input/Output With Schmitt Trigger

Figure 6-4 shows the port diagram. Table 6-63 summarizes the selection of the port function.

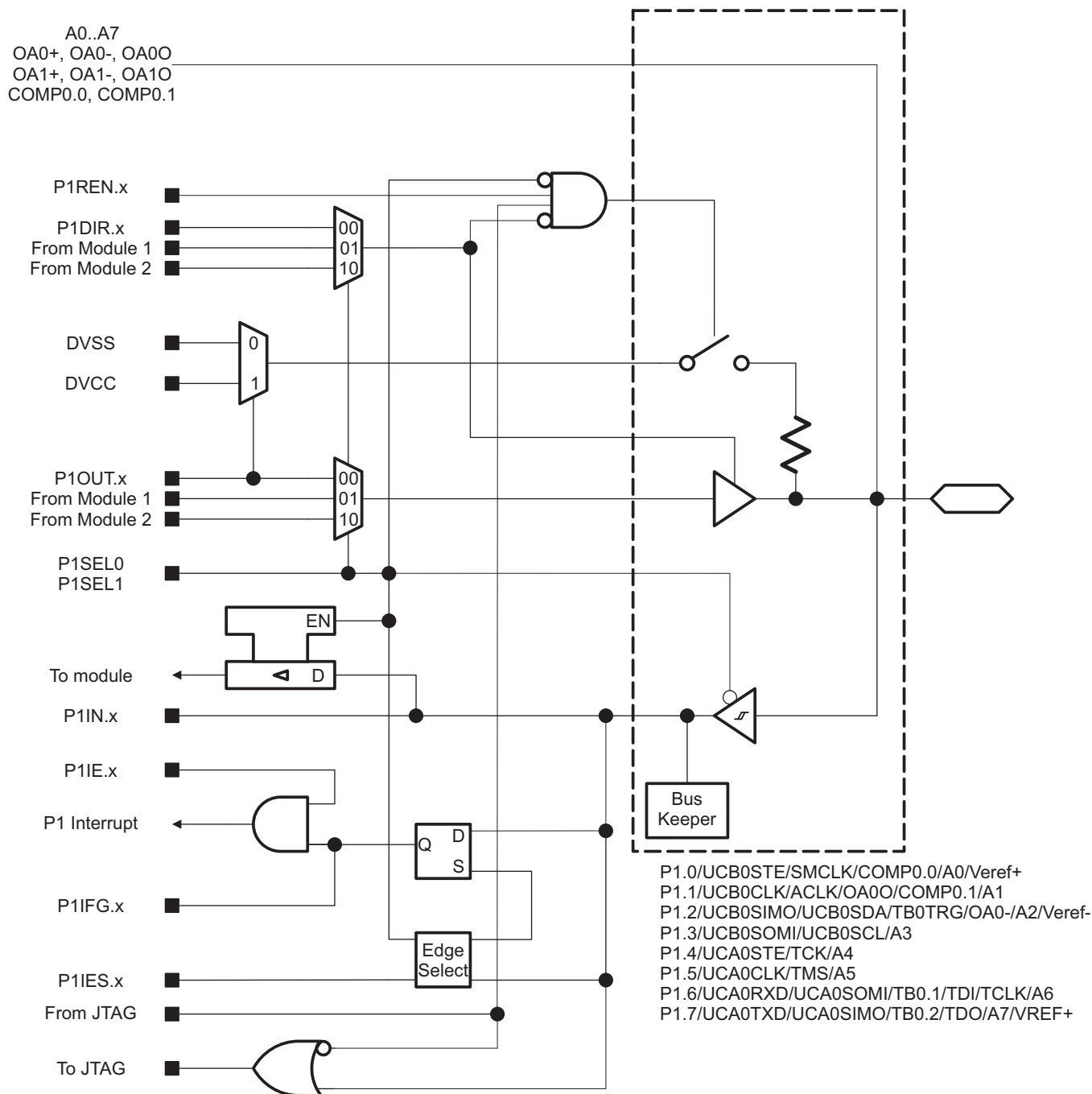


Figure 6-4. Port P1 Input/Output With Schmitt Trigger

Table 6-63. Port P1 Pin Functions

PIN NAME (P1.x)	x	FUNCTION	CONTROL BITS AND SIGNALS <sup>(1)</sup>		
			P1DIR.x	P1SELx	JTAG
P1.0/UCB0STE/SMCLK/ COMP0.0/A0/Veref+	0	P1.0 (I/O)	I: 0; O: 1	00	N/A
		UCB0STE	X	01	N/A
		SMCLK	1	10	N/A
		VSS	0		
		COMP0.0, A0/Veref+	X	11	N/A
P1.1/UCB0CLK/ACLK/ OA00/COMP0.1/A1	1	P1.1 (I/O)	I: 0; O: 1	0	N/A
		UCB0CLK	X	01	N/A
		ACLK	1	10	N/A
		VSS	0		
		OA00 <sup>(2)</sup> , COMP0.1, A1	X	11	N/A
P1.2/UCB0SIMO/ UCB0SDA/TB0TRG/ OA0-/A2/Veref-	2	P1.2 (I/O)	I: 0; O: 1	00	N/A
		UCB0SIMO/UCB0SDA	X	01	N/A
		TB0TRG	0	10	N/A
		OA0- <sup>(2)</sup> , A2/Veref-	X	11	N/A
P1.3/UCB0SOMI/ UCB0SCL/OA0+/A3	3	P1.3 (I/O)	I: 0; O: 1	00	N/A
		UCB0SOMI/UCB0SCL	X	01	N/A
		OA0+ <sup>(2)</sup> , A3	X	11	N/A
P1.4/UCA0STE/TCK/A4	4	P1.4 (I/O)	I: 0; O: 1	00	Disabled
		UCA0STE	X	01	Disabled
		A4	X	11	Disabled
		JTAG TCK	X	X	TCK
P1.5/UCA0CLK/TMS/ OA10/A5	5	P1.5 (I/O)	I: 0; O: 1	00	Disabled
		UCA0CLK	X	01	Disabled
		OA10 <sup>(2)</sup> , A5	X	11	Disabled
		JTAG TMS	X	X	TMS
P1.6/UCA0RXD/ UCA0SOMI/TB0.1/TDI/ TCLK/OA1-/A6	6	P1.6 (I/O)	I: 0; O: 1	00	Disabled
		UCA0RXD/UCA0SOMI	X	01	Disabled
		TB0.CCI1A	0	10	Disabled
		TB0.1	1		
		OA1- <sup>(2)</sup> , A6	X	11	Disabled
		JTAG TDI/TCLK	X	X	TDI/TCLK
P1.7/UCA0TXD/ UCA0SIMO/TB0.2/TDO/ OA1+/A7/VREF+	7	P1.7 (I/O)	I: 0; O: 1	00	Disabled
		UCA0TXD/UCA0SIMO	X	01	Disabled
		TB0.CCI2A	0	10	Disabled
		TB0.2	1		
		OA1+ <sup>(2)</sup> , A7, VREF+	X	11	Disabled
		JTAG TDO	X	X	TDO

(1) X = don't care

(2) MSP430FR235x devices only

### 6.11.2 Port P2 Input/Output With Schmitt Trigger

Figure 6-5 shows the port diagram. Table 6-64 summarizes the selection of the port function.

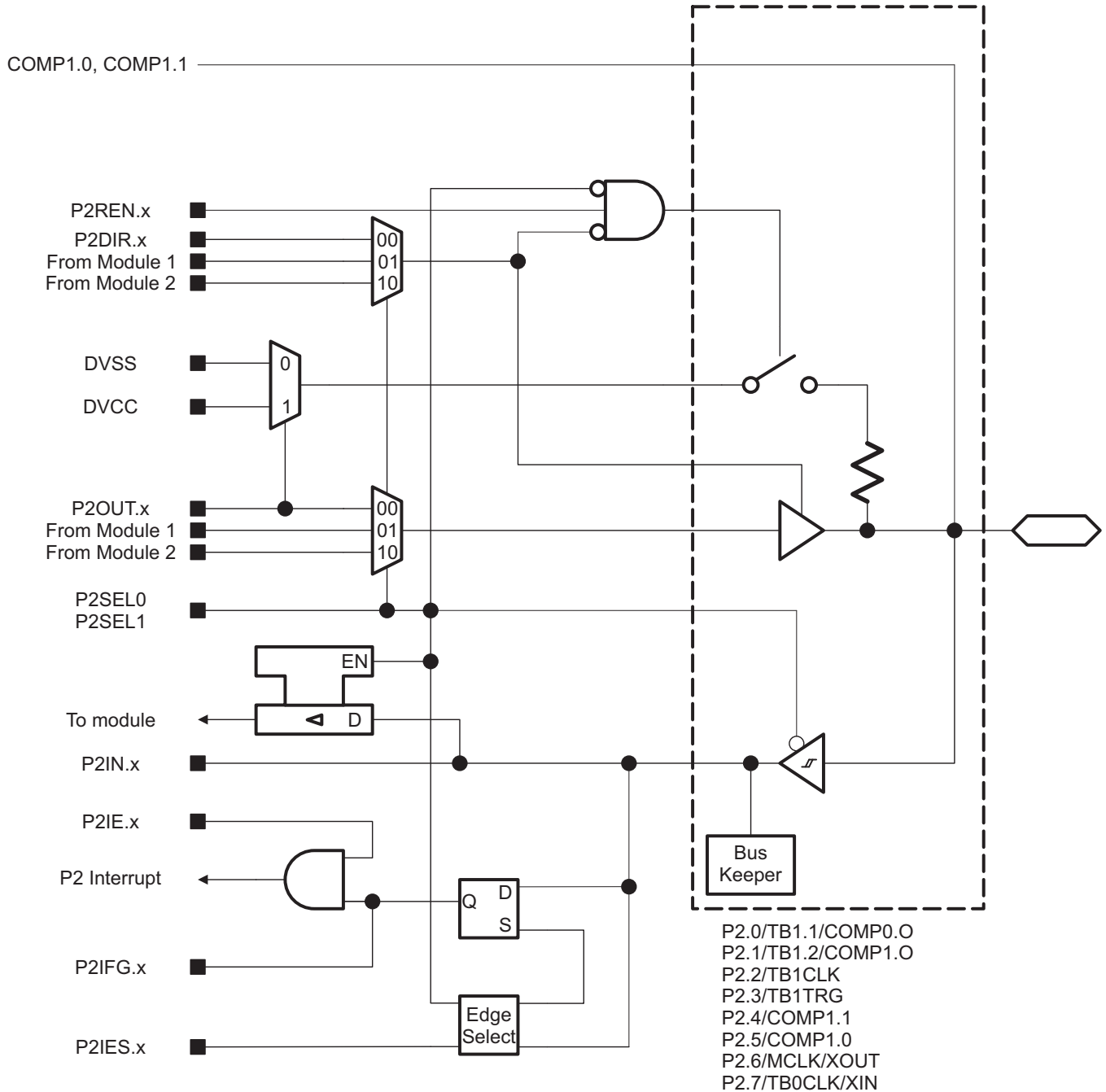


Figure 6-5. Port P2 Input/Output With Schmitt Trigger

Table 6-64. Port P2 Pin Functions

PIN NAME (P2.x)	x	FUNCTION	CONTROL BITS AND SIGNALS <sup>(1)</sup>	
			P2DIR.x	P2SELx
P2.0/TB1.1/COMP0.O	0	P2.0 (I/O)	I: 0; O: 1	00
		TB1.CCI1A	0	01
		TB1.1	1	
		COMP0.O	1	10
P2.1/TB1.2	1	P2.1 (I/O)0	I: 0; O: 1	00
		TB1.CCI2A	0	01
		TB1.2	1	
		COMP1.O	1	10
P2.2/TB1CLK	2	P2.2 (I/O)	I: 0; O: 1	00
		TB1CLK	0	01
P2.3/UCB0CLK/TB1TRG	3	P2.3 (I/O)	I: 0; O: 1	00
		TB1TRG	0	01
		VSS	1	
P2.4/COMP1.1	4	P2.4 (I/O)	I: 0; O: 1	00
		COMP1.1	X	11
P2.5/COMP1.0	5	P2.5 (I/O)	I: 0; O: 1	00
		COMP1.0	X	11
P2.6/MCLK/XOUT	6	P2.6 (I/O)	I: 0; O: 1	00
		MCLK	1	01
		VSS	0	
		XOUT	X	10
P2.7/TB0CLK/XIN	7	P2.7 (I/O)	I: 0; O: 1	00
		TB0CLK	0	01
		VSS	1	
		XIN	X	10

(1) X = don't care

### 6.11.3 Port P3 Input/Output With Schmitt Trigger

Figure 6-6 shows the port diagram. Table 6-65 summarizes the selection of the port function.

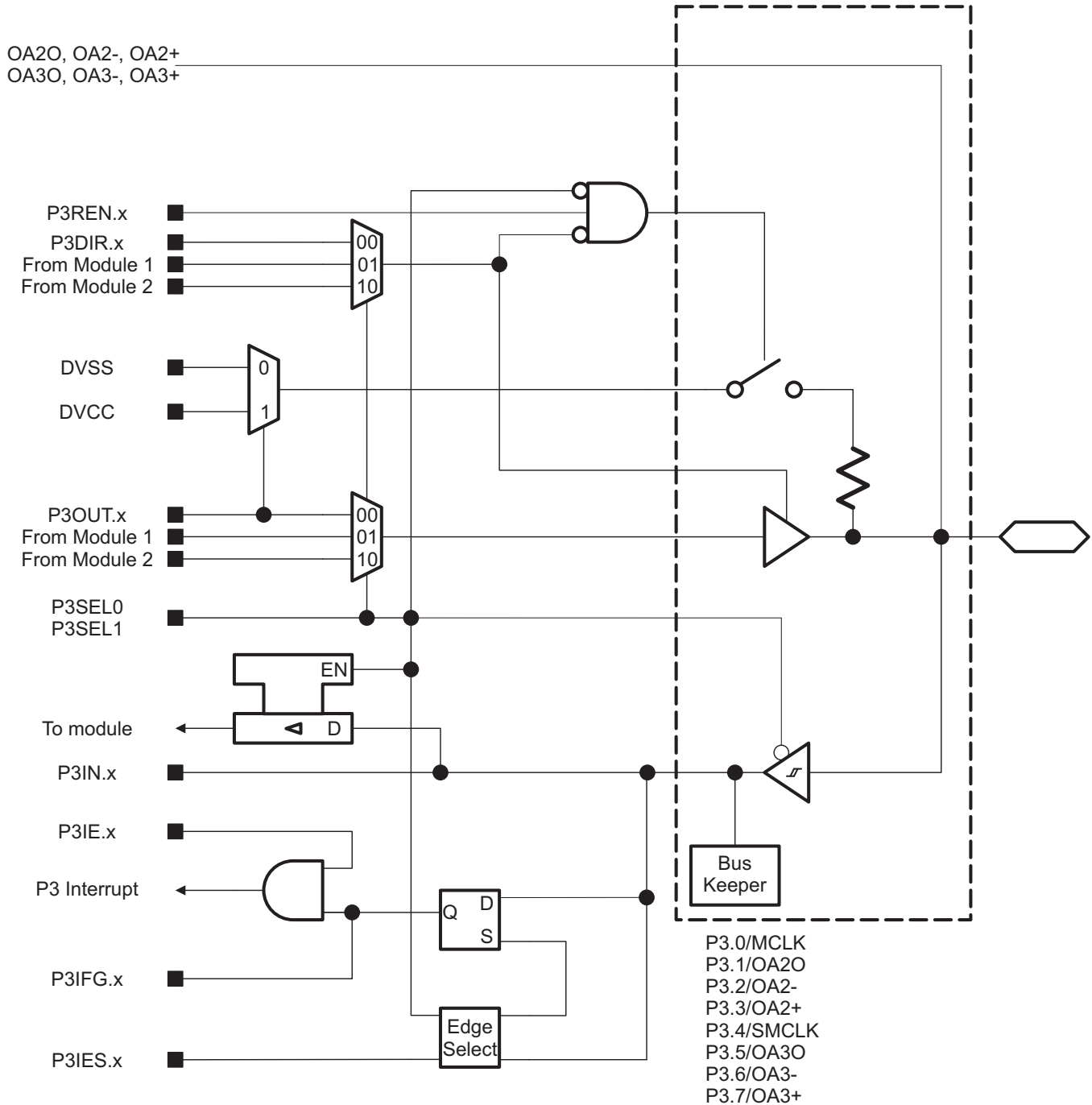


Figure 6-6. Port P3 Input/Output With Schmitt Trigger

**Table 6-65. Port P3 Pin Functions**

PIN NAME (P3.x)	x	FUNCTION	CONTROL BITS AND SIGNALS <sup>(1)</sup>	
			P3DIR.x	P3SELx
P3.0/MCLK	0	P3.0 (I/O)	I: 0; O: 1	00
		MCLK	1	01
		VSS	0	
P3.1/OA2O	1	P3.1 (I/O)	I: 0; O: 1	00
		OA2O <sup>(2)</sup>	X	11
P3.2/OA2-	2	P3.2 (I/O)	I: 0; O: 1	00
		OA2- <sup>(2)</sup>	X	11
P3.3/OA2+	3	P3.3 (I/O)	I: 0; O: 1	00
		OA2+ <sup>(2)</sup>	X	11
P3.4/SMCLK	4	P3.4 (I/O)	I: 0; O: 1	00
		SMCLK	1	01
		VSS	0	
P3.5/OA3O	5	P3.5 (I/O)	I: 0; O: 1	00
		OA3O <sup>(2)</sup>	X	11
P3.6/OA3-	6	P3.6 (I/O)	I: 0; O: 1	00
		OA3- <sup>(2)</sup>	X	11
P3.7/OA3+	7	P3.7 (I/O)	I: 0; O: 1	00
		OA3+ <sup>(2)</sup>	X	11

(1) X = don't care

(2) MSP430FR235x devices only



### 6.11.4 Port P4 Input/Output With Schmitt Trigger

Figure 6-7 shows the port diagram. Table 6-66 summarizes the selection of the port function.

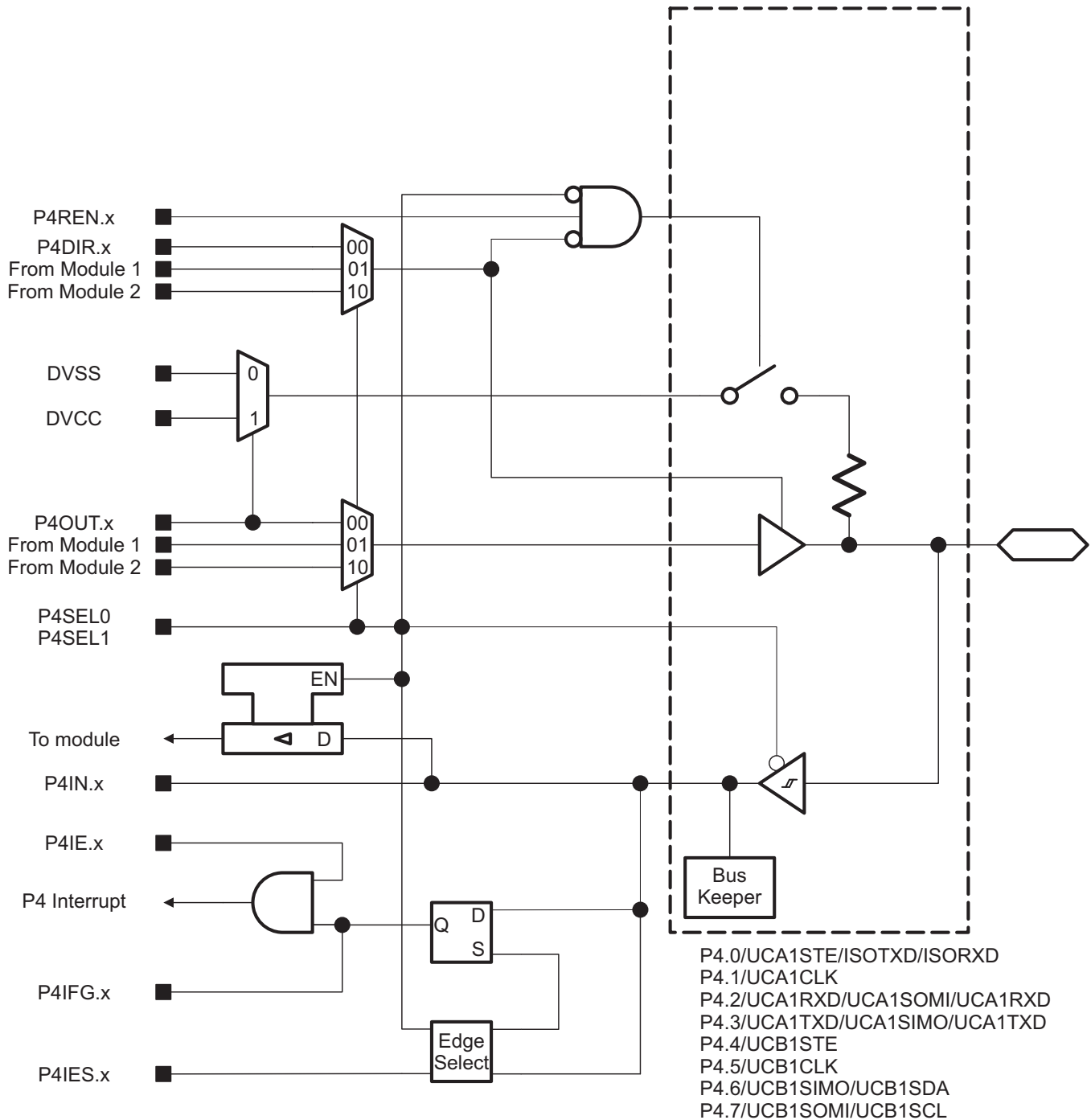


Figure 6-7. Port P4 Input/Output With Schmitt Trigger

Table 6-66. Port P4 Pin Functions

PIN NAME (P4.x)	x	FUNCTION	CONTROL BITS AND SIGNALS <sup>(1)</sup>	
			P4DIR.x	P4SELx
P4.0/UCA1STE	0	P4.0 (I/O)	I: 0; O: 1	00
		UCA1STE	X	01
		UCA1RXD, TB3.CCI2B	0	10
		UCA1TXD logic-AND TB3.2B	1	
P4.1/UCA1CLK	1	P4.1 (I/O)	I: 0; O: 1	00
		UCA1CLK	X	01
P4.2/UCA1RXD/ UCA1SOMI/UCA1TXD	2	P4.2 (I/O)	I: 0; O: 1	00
		UCA1RXD/UCA1SOMI	X	01
		$\overline{\text{UCA1RXD}}$	X	10
P4.3/UCA1TXD/ UCA1SIMO/UCA1TXD	3	P4.3 (I/O)	I: 0; O: 1	00
		UCA1TXD/UCA1SIMO	X	01
		$\overline{\text{UCA1TXD}}$	X	10
P4.4/UCB1STE	4	P4.4 (I/O)	I: 0; O: 1	00
		UCB1STE	X	01
P4.5/UCB1CLK	5	P4.5 (I/O)	I: 0; O: 1	00
		UCB1CLK	X	01
P4.6/UCB1SIMO/UCB1SDA	6	P4.6 (I/O)	I: 0; O: 1	00
		UCB1SIMO/UCB1SDA	X	01
P4.7/UCB1SOMI/UCB1SCL	7	P4.7 (I/O)	I: 0; O: 1	00
		UCB1SOMI/UCB1SCL	X	01

(1) X = don't care

### 6.11.5 Port P5 Input/Output With Schmitt Trigger

Figure 6-8 shows the port diagram. Table 6-67 summarizes the selection of the port function.

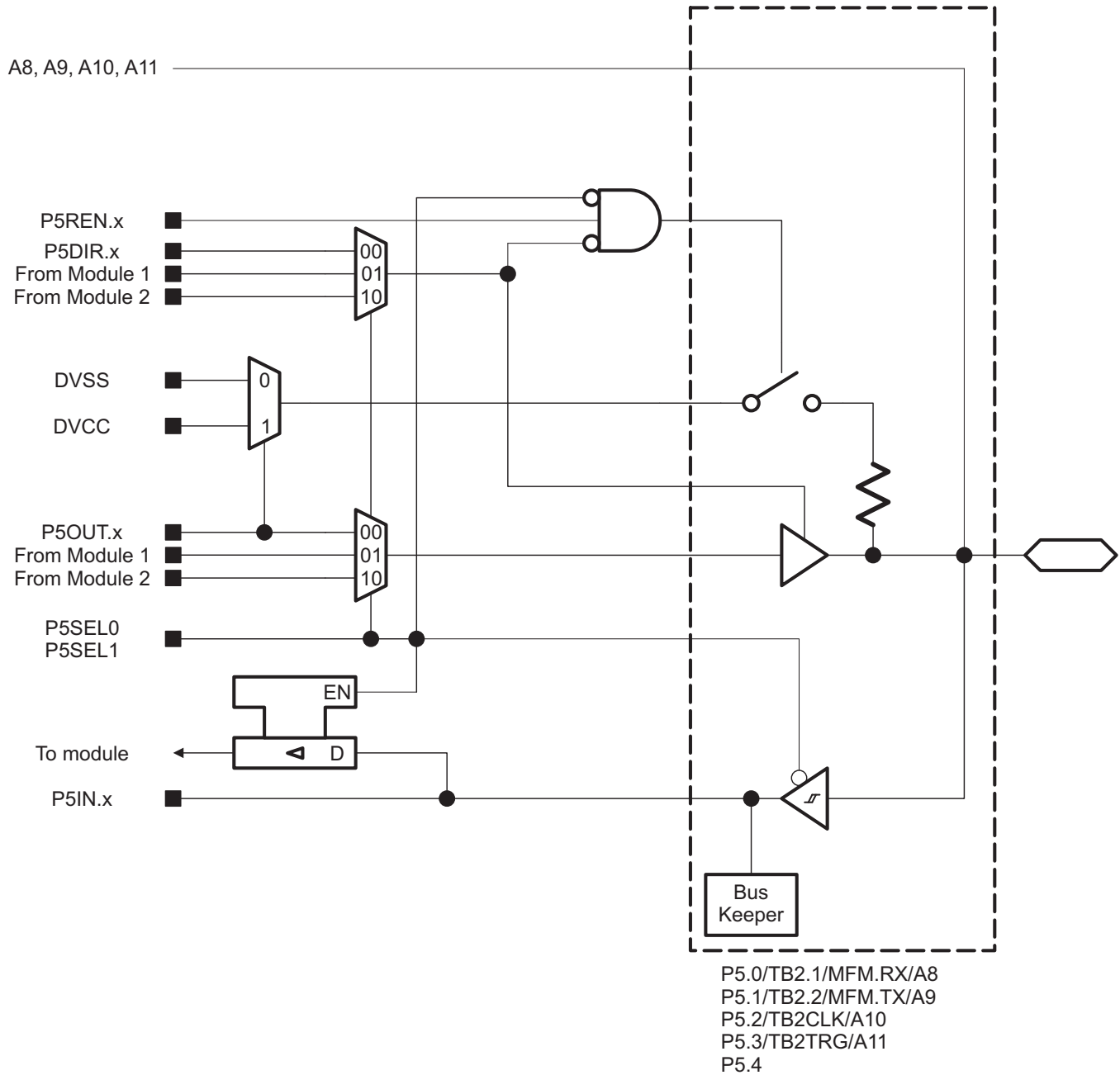


Figure 6-8. Port P5 Input/Output With Schmitt Trigger

Table 6-67. Port P5 Pin Functions

PIN NAME (P5.x)	x	FUNCTION	CONTROL BITS AND SIGNALS <sup>(1)</sup>	
			P5DIR.x	P5SELx
P5.0/TB2.1/MFM.RX/A8	0	P5.0 (I/O)	I: 0; O: 1	00
		TB2.CCI1A	I	01
		TB2.1	O	
		MFM.RX	X	10
		A8	X	11
P5.1/TB2.2/MFM.TX/A9	1	P5.1 (I/O)	I: 0; O: 1	00
		TB2.CCI2A	I	01
		TB2.2	O	
		MFM.TX	X	10
		A9	X	11
P5.2/TB2CLK/A10	2	P5.2 (I/O)	I: 0; O: 1	00
		TB2CLK	I	01
		VSS	O	
		A10	X	11
P5.3/TB2TRG/A11	3	P5.3 (I/O)	I: 0; O: 1	00
		TB2TRG	I	01
		VSS	O	
		A11	X	11
P5.4	4	P5.4 (I/O)	I: 0; O: 1	00

(1) X = don't care

### 6.11.6 Port P6 Input/Output With Schmitt Trigger

Figure 6-9 shows the port diagram. Table 6-68 summarizes the selection of the port function.

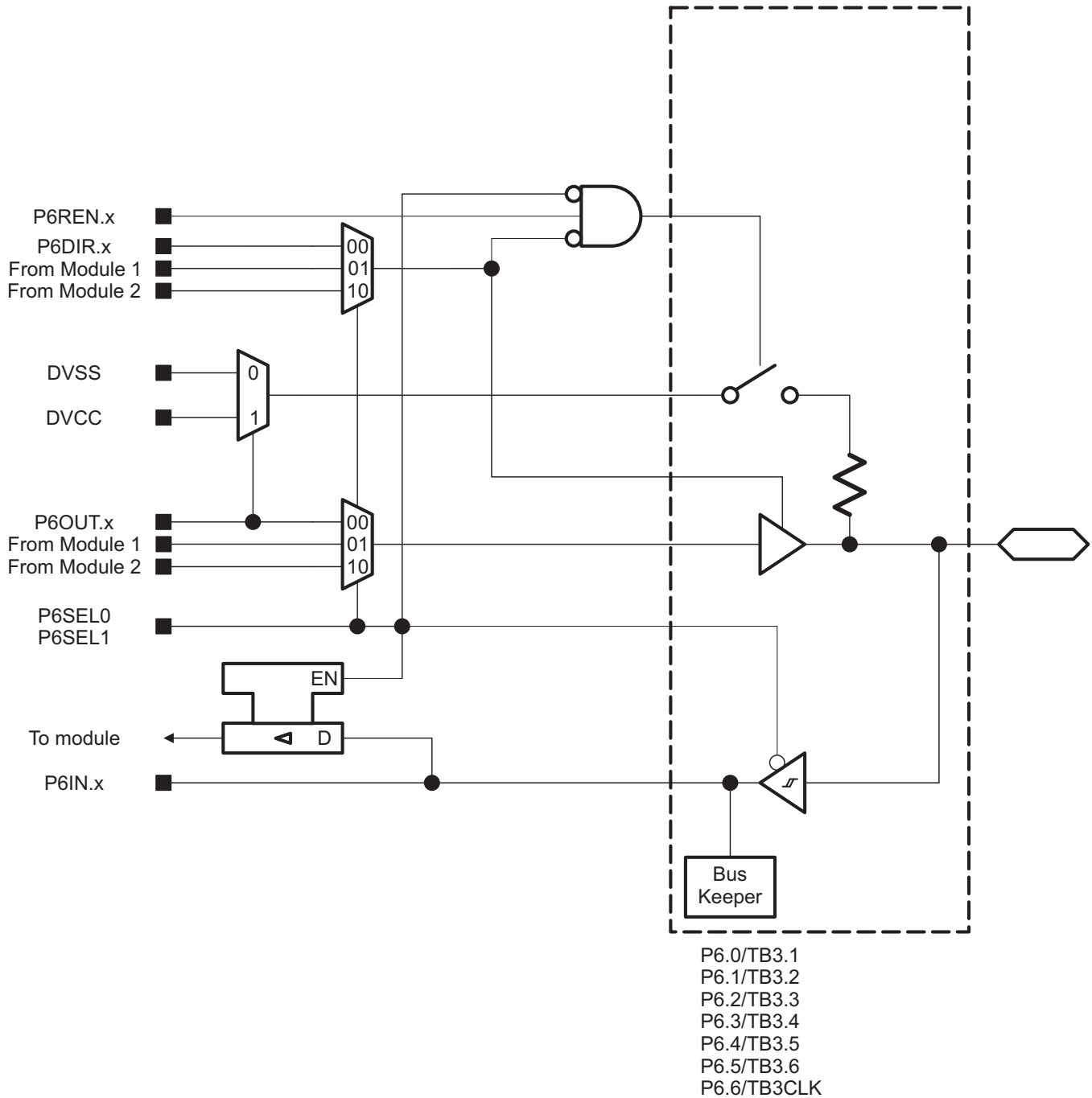


Figure 6-9. Port P6 Input/Output With Schmitt Trigger

**Table 6-68. Port P6 Pin Functions**

PIN NAME (P6.x)	x	FUNCTION	CONTROL BITS AND SIGNALS <sup>(1)</sup>	
			P6DIR.x	P6SELx
P6.0/TB3.1	0	P6.0 (I/O)	I: 0; O: 1	00
		TB3.CCI1A	0	01
		TB3.1	1	
P6.1/TB3.2	1	P6.1 (I/O)	I: 0; O: 1	00
		TB3.CCI2A	0	01
		TB3.2	1	
P6.2/TB3.3	2	P6.2 (I/O)	I: 0; O: 1	00
		TB3.CCI3A	0	01
		TB3.3	1	
P6.3/TB3.4	3	P6.3 (I/O)	I: 0; O: 1	00
		TB3.CCI4A	0	01
		TB3.4	1	
P6.4/TB3.5	4	P6.4 (I/O)	I: 0; O: 1	00
		TB3.CCI5A	0	01
		TB3.5	1	
P6.5/TB3.6	5	P6.5 (I/O)	I: 0; O: 1	00
		TB3.CCI6A	0	01
		TB3.6	1	
P6.6/TB3CLK	6	P6.6 (I/O)	I: 0; O: 1	00
		TB3CLK	0	01
		VSS	1	

(1) X = don't care

## 6.12 Device Descriptors (TLV)

Table 6-69 lists the Device IDs. Table 6-70 lists the contents of the device descriptor tag-length-value (TLV) structure.

**Table 6-69. Device IDs**

DEVICE	DEVICE ID	
	1A04h	1A05h
MSP430FR2355	0C	83
MSP430FR2353	0D	83
MSP430FR2155	1E	83
MSP430FR2153	1D	83

**Table 6-70. Device Descriptors**

DESCRIPTION		ADDRESS	VALUE
Information block	Info length	1A00h	06h
	CRC length	1A01h	06h
	CRC value <sup>(1)</sup>	1A02h	Per unit
		1A03h	Per unit
	Device ID	1A04h	See <sup>(2)</sup>
		1A05h	
	Hardware revision	1A06h	Per unit
Firmware revision	1A07h	Per unit	
Die record	Die record tag	1A08h	08h
	Die record length	1A09h	0Ah
	Lot wafer ID	1A0Ah	Per unit
		1A0Bh	Per unit
		1A0Ch	Per unit
		1A0Dh	Per unit
	Die X position	1A0Eh	Per unit
		1A0Fh	Per unit
	Die Y position	1A10h	Per unit
		1A11h	Per unit
	Test result	1A12h	Per unit
1A13h		Per unit	

(1) CRC value covers the checksum from 0x1A04h to 0x1AF7h by applying CRC-CCITT-16 polynomial of  $x^{16} + x^{12} + x^5 + 1$

(2) MSP430FR235x devices only

**Table 6-70. Device Descriptors (continued)**

DESCRIPTION		ADDRESS	VALUE
ADC calibration	ADC calibration tag	1A14h	11h
	ADC calibration length	1A15h	10h
	ADC gain factor	1A16h	Per unit
		1A17h	Per unit
	ADC offset	1A18h	Per unit
		1A19h	Per unit
	ADC internal shared 1.5-V reference, temperature 30°C	1A1Ah	Per unit
		1A1Bh	Per unit
	ADC internal shared 1.5-V reference, high temperature <sup>(3)</sup>	1A1Ch	Per unit
		1A1Dh	Per unit
	ADC internal shared 2.0-V reference, temperature 30°C	1A1Eh	Per unit
		1A1Fh	Per unit
	ADC internal shared 2.0-V reference, high temperature <sup>(3)</sup>	1A20h	Per unit
		1A21h	Per unit
ADC internal shared 2.5-V reference, temperature 30°C	1A22h	Per unit	
	1A23h	Per unit	
ADC internal shared 2.5-V reference, high temperature <sup>(3)</sup>	1A24h	Per unit	
	1A25h	Per unit	
Reference and DCO calibration	Calibration tag	1A26h	12h
	Calibration length	1A27h	0Ah
	Internal shared 1.5-V reference factor	1A28h	Per unit
		1A29h	Per unit
	Internal shared 2.0-V reference factor	1A2Ah	Per unit
		1A2Bh	Per unit
	Internal shared 2.5-V reference factor	1A2Ch	Per unit
		1A2Dh	Per unit
	DCO tap settings for 16 MHz, temperature 30°C	1A2Eh	Per unit
		1A2Fh	Per unit
DCO tap settings for 24 MHz, temperature 30°C <sup>(4)</sup>	1A30h	Per unit	
	1A31h	Per unit	

(3) The calibration value is device dependent at 105°C.

(4) This value can be directly loaded into the DCO bits in the CSCTL0 register to get an accurate 24-MHz frequency at room temperature, especially when MCU exits from LPM3 and below. TI also suggests to use a predivider to decrease the frequency if the temperature drift might result an overshoot faster than 24 MHz.



## 6.13 Identification

### 6.13.1 Revision Identification

The device revision information is shown as part of the top-side marking on the device package. The device-specific errata sheet describes these markings. For links to all of the errata sheets for the devices in this data sheet, see [Section 8.4](#).

The hardware revision is also stored in the Device Descriptor structure in the Info Block section. For details on this value, see the "Hardware Revision" entries in [Section 6.12](#).

### 6.13.2 Device Identification

The device type can be identified from the top-side marking on the device package. The device-specific errata sheet describes these markings. For links to all of the errata sheets for the devices in this data sheet, see [Section 8.4](#).

A device identification value is also stored in the Device Descriptor structure in the Info Block section. For details on this value, see the "Device ID" entries in [Section 6.12](#).

### 6.13.3 JTAG Identification

Programming through the JTAG interface, including reading and identifying the JTAG ID, is described in detail in the [MSP430 Programming With the JTAG Interface](#).

## 7 Applications, Implementation, and Layout

### NOTE

Information in the following applications sections is not part of the TI component specification, and TI does not warrant its accuracy or completeness. TI's customers are responsible for determining suitability of components for their purposes. Customers should validate and test their implementation to confirm system functionality.

### 7.1 Device Connection and Layout Fundamentals

This section discusses the recommended guidelines when designing with the MSP430 MCU. These guidelines are to make sure that the device has proper connections for powering, programming, debugging, and optimum analog performance.

#### 7.1.1 Power Supply Decoupling and Bulk Capacitors

It is recommended to connect a combination of a 10- $\mu$ F plus a 100-nF low-ESR ceramic decoupling capacitor to the DVCC pin. Higher-value capacitors can be used but can impact supply rail ramp-up time. Place the decoupling capacitors as close as possible to the pins that they decouple (within a few millimeters).

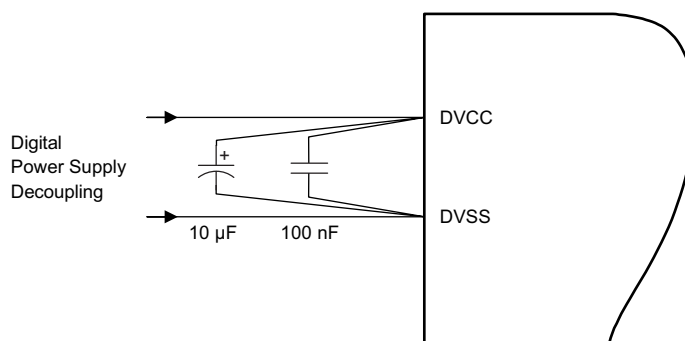


Figure 7-1. Power Supply Decoupling

#### 7.1.2 External Oscillator

Depending on the device variant (see [Section 3](#)), the device can support a low-frequency crystal (32 kHz) on the LFXT pins, a high-frequency crystal on the HFXT pins, or both. External bypass capacitors for the crystal oscillator pins are required.

It is also possible to apply digital clock signals to the LFXIN and HFXIN input pins that meet the specifications of the respective oscillator if the appropriate LFXTBYPASS or HFXTBYPASS mode is selected. In this case, the associated LFXOUT and HFXOUT pins can be used for other purposes. If they are left unused, they must be terminated according to [Section 4.6](#).

[Figure 7-2](#) shows a typical connection diagram.

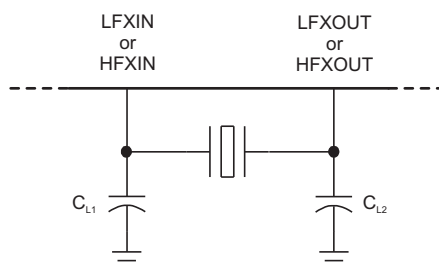


Figure 7-2. Typical Crystal Connection

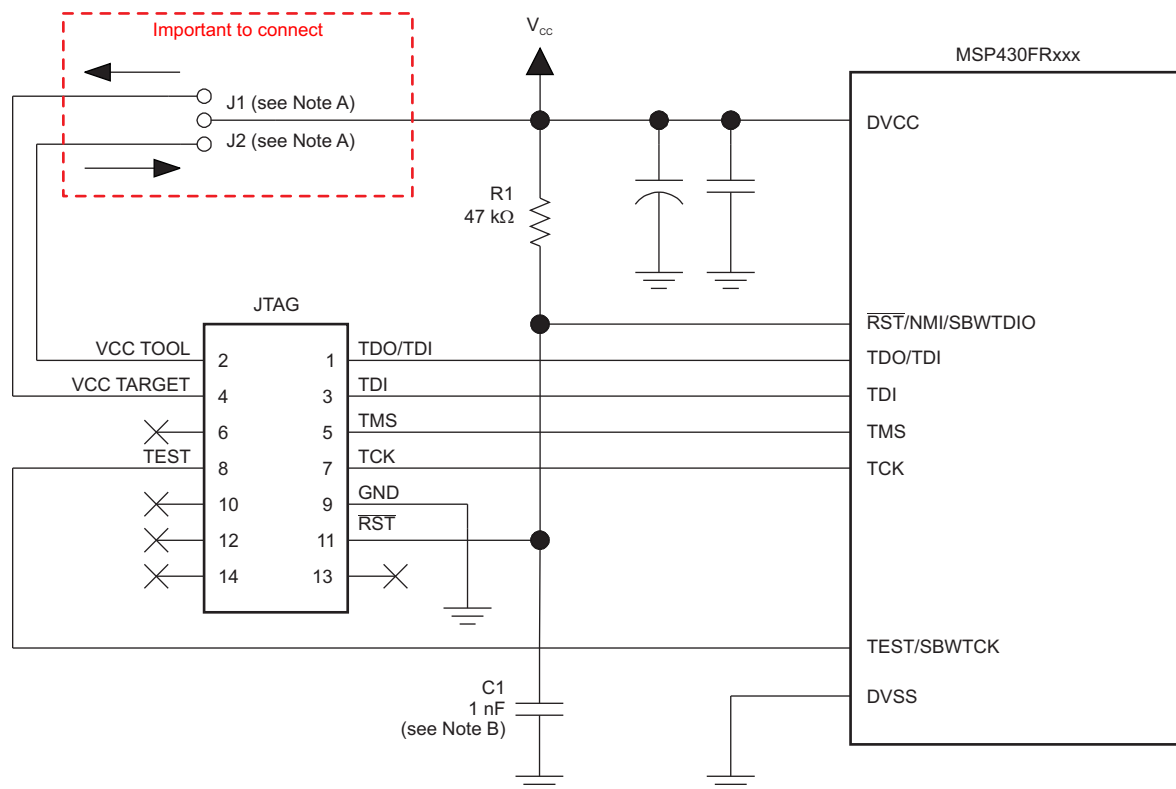
See [MSP430 32-kHz Crystal Oscillators](#) for more information on selecting, testing, and designing a crystal oscillator with MSP430 MCUs.

### 7.1.3 JTAG

With the proper connections, the debugger and a hardware JTAG interface (such as the MSP-FET or MSP-FET430UIF) can be used to program and debug code on the target board. In addition, the connections also support the MSP-GANG production programmers, thus providing an easy way to program prototype boards, if desired. [Figure 7-3](#) shows the connections between the 14-pin JTAG connector and the target device required to support in-system programming and debugging for 4-wire JTAG communication. [Figure 7-4](#) shows the connections for 2-wire JTAG mode (Spy-Bi-Wire).

The connections for the MSP-FET and MSP-FET430UIF interface modules and the MSP-GANG are identical. Both can supply  $V_{CC}$  to the target board (through pin 2). In addition, the MSP-FET and MSP-FET430UIF interface modules and MSP-GANG have a  $V_{CC}$  sense feature that, if used, requires an alternate connection (pin 4 instead of pin 2). The  $V_{CC}$ -sense feature senses the local  $V_{CC}$  present on the target board (that is, a battery or other local power supply) and adjusts the output signals accordingly. [Figure 7-3](#) and [Figure 7-4](#) show a jumper block that supports both scenarios of supplying  $V_{CC}$  to the target board. If this flexibility is not required, the desired  $V_{CC}$  connections can be hard-wired to eliminate the jumper block. Pins 2 and 4 must not be connected at the same time.

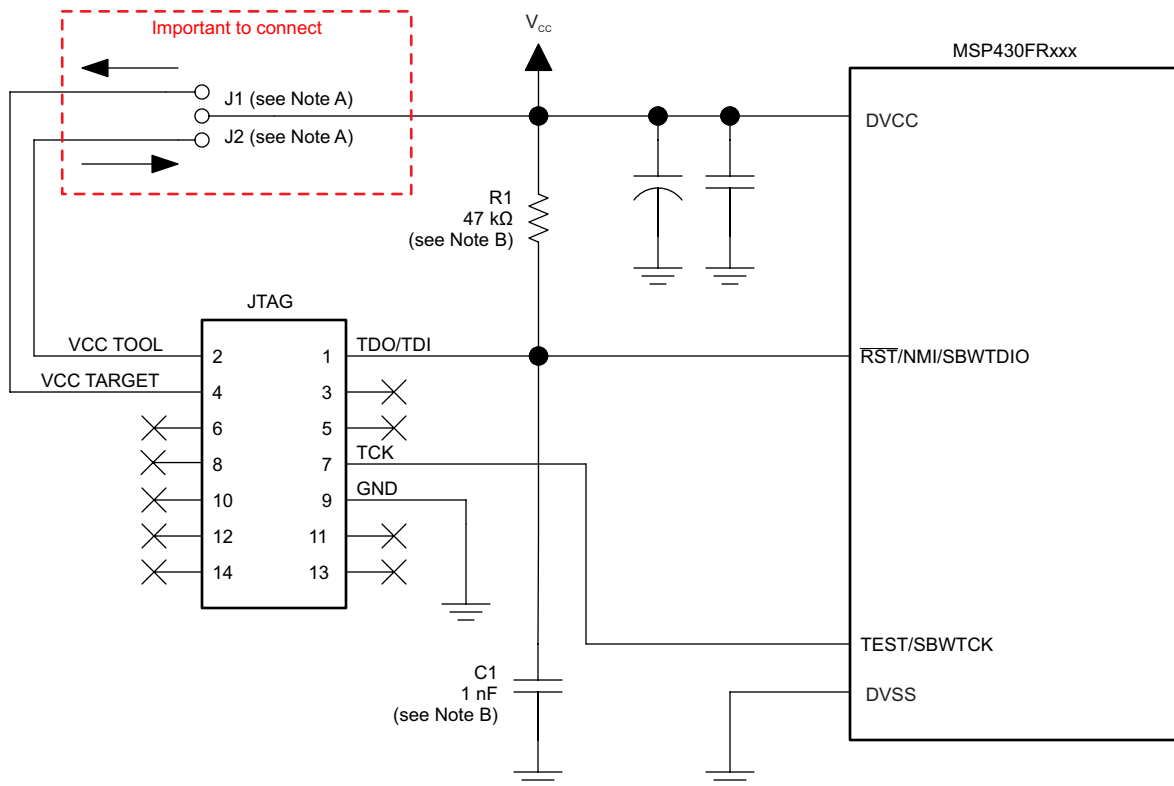
For additional design information regarding the JTAG interface, see the [MSP430 hardware tools user's guide](#).



Copyright © 2016, Texas Instruments Incorporated

- If a local target power supply is used, make connection J1. If power from the debug or programming adapter is used, make connection J2.
- The upper limit for C1 is 1.1 nF when using current TI tools.

**Figure 7-3. Signal Connections for 4-Wire JTAG Communication**



Copyright © 2016, Texas Instruments Incorporated

- Make connection J1 if a local target power supply is used, or make connection J2 if the target is powered from the debug or programming adapter.
- The device  $\overline{\text{RST/NMI/SBWTIO}}$  pin is used in 2-wire mode for bidirectional communication with the device during JTAG access, and any capacitance that is attached to this signal can affect the ability to establish a connection with the device. The upper limit for C1 is 1.1 nF when using current TI tools.

**Figure 7-4. Signal Connections for 2-Wire JTAG Communication (Spy-Bi-Wire)**

### 7.1.4 Reset

The reset pin can be configured as a reset function (default) or as an NMI function in the special function register (SFR), SFRRPCR.

In reset mode, the  $\overline{\text{RST/NMI}}$  pin is active low, and a pulse applied to this pin that meets the reset timing specifications generates a BOR-type device reset.

Setting SYSNMI causes the  $\overline{\text{RST/NMI}}$  pin to be configured as an external NMI source. The external NMI is edge sensitive, and its edge is selectable by SYSNMIIES. Setting the NMIIE enables the interrupt of the external NMI. When an external NMI event occurs, the NMIIFG is set.

The  $\overline{\text{RST/NMI}}$  pin can have either a pullup or pulldown that is enabled or not. SYSRSTUP selects either pullup or pulldown, and SYSRSTRE causes the pullup (default) or pulldown to be enabled (default) or not. If the  $\overline{\text{RST/NMI}}$  pin is unused, it is required either to select and enable the internal pullup or to connect an external 47-k $\Omega$  pullup resistor to the  $\overline{\text{RST/NMI}}$  pin with a 2.2-nF pulldown capacitor. The pulldown capacitor should not exceed 1.1 nF when using devices with Spy-Bi-Wire interface in Spy-Bi-Wire mode or in 4-wire JTAG mode with TI tools like FET interfaces or GANG programmers.

See the [MSP430FR4xx and MSP430FR2xx Family User's Guide](#) for more information on the referenced control registers and bits.

### 7.1.5 Unused Pins

For details on the connection of unused pins, see [Section 4.6](#).

### 7.1.6 General Layout Recommendations

- Proper grounding and short traces for external crystal to reduce parasitic capacitance. See [MSP430 32-kHz Crystal Oscillators](#) for recommended layout guidelines.
- Proper bypass capacitors on DVCC, AVCC, and reference pins if used.
- Avoid routing any high-frequency signal close to an analog signal line. For example, keep digital switching signals such as PWM or JTAG signals away from the oscillator circuit and ADC signals.
- Proper ESD level protection should be considered to protect the device from unintended high-voltage electrostatic discharge. See [MSP430 System-Level ESD Considerations](#) for guidelines.

### 7.1.7 Do's and Don'ts

During power up, power down, and device operation, the voltage difference between AVCC and DVCC must not exceed the limits specified in the [Absolute Maximum Ratings](#) section. Exceeding the specified limits can cause malfunction of the device including erroneous writes to RAM and FRAM.

## 7.2 Peripheral- and Interface-Specific Design Information

### 7.2.1 ADC Peripheral

#### 7.2.1.1 Partial Schematic

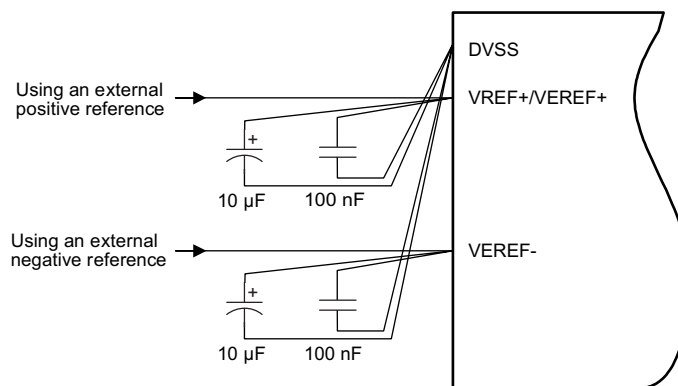


Figure 7-5. ADC Grounding and Noise Considerations

#### 7.2.1.2 Design Requirements

As with any high-resolution ADC, appropriate printed-circuit-board layout and grounding techniques should be followed to eliminate ground loops, unwanted parasitic effects, and noise.

Ground loops are formed when return current from the ADC flows through paths that are common with other analog or digital circuitry. This current can generate small unwanted offset voltages that can add to or subtract from the reference or input voltages of the ADC. The general guidelines in [Section 7.1.1](#) combined with the connections shown in [Figure 7-5](#) prevent these offset voltages.

In addition to grounding, ripple and noise spikes on the power-supply lines that are caused by digital switching or switching power supplies can corrupt the conversion result. TI recommends a noise-free design using separate analog and digital ground planes with a single-point connection to achieve high accuracy.

[Figure 7-5](#) shows the recommended decoupling circuit when an external voltage reference is used. The internal reference module has a maximum drive current as described in the sections [ADC Pin Enable](#) and [1.2-V Reference Settings](#) of the [MSP430FR4xx and MSP430FR2xx Family User's Guide](#).

The reference voltage must be a stable voltage for accurate measurements. The capacitor values that are selected in the general guidelines filter out the high- and low-frequency ripple before the reference voltage enters the device. In this case, the 10- $\mu$ F capacitor buffers the reference pin and filters low-frequency ripple, and the 100-nF bypass capacitor filters high-frequency noise.

### 7.2.1.3 Layout Guidelines

Components that are shown in the partial schematic (see [Figure 7-5](#)) should be placed as close as possible to the respective device pins to avoid long traces, because they add additional parasitic capacitance, inductance, and resistance on the signal.

Avoid routing analog input signals close to a high-frequency pin (for example, a high-frequency PWM), because the high-frequency switching can be coupled into the analog signal.

## 7.3 ROM Libraries

The MSP430FR235x and MSP430FR215x devices in the MSP430FR4xx family have MSP430 Driver Library and FFT Library in ROM.

MSP430 software libraries in ROM are tested to work with both Code Composer Studio and IAR Embedded Workbench toolchains.

- For the ROM image to be compatible between CCS and IAR tool chains, there are certain project properties restrictions. See the [TI.com attribute guide](#) for more details.
- To use DriverLib in ROM, `#include "rom_driverlib.h"`. Header file checks continue to provide helpful hints at build time until the user application adheres to `__cc_rom`.
- To use FFTLib in ROM, `#include "DSPLib.h"`. FFTLib is a subset of the MSP software library DSPLib.
- For more information, see the MSP430 Driver Library for MSP430FR2xx\_4xx ROM README and MSP DSP Library ROM README in MSP430Ware. The library ROM image is located above the 64KB memory address. Application code using ROM must be large code model (20-bit address pointer rather than 16-bit address pointer).

Benefits of ROM library use include:

- Code execution at clock speeds that exceed 8 MHz is faster from ROM than from FRAM, because the code avoids FRAM wait states (except FRAM controller cache hits). Without FRAM wait states, code execution performance is limited by only the processor clock, which is generally faster than other subsystems. Executing code from RAM gives comparable performance, but the available RAM size is typically more limited.
- More nonvolatile storage (FRAM) available in the device is left for application code.

## 7.4 Typical Applications

[Table 7-1](#) lists TI reference designs that use the MSP430FR235x devices in real-world application scenarios. Consult these designs for additional guidance regarding schematic, layout, and software implementation. For the most up-to-date list of available TI reference designs, visit the [TI reference designs library](#).

**Table 7-1. Tools and Reference Designs**

DESIGN NAME	LINK
4- to 20-mA Loop-Powered RTD Temperature Transmitter Reference Design With MSP430 Smart Analog Combo	<a href="#">TIDM-01000</a>
MSP430FR2355 LaunchPad development kit	<a href="#">MSP-EXP430FR2355</a>

## 8 Device and Documentation Support

### 8.1 Getting Started

For more information on the MSP430™ family of devices and the tools and libraries that are available to help with your development, visit the [MSP430 ultra-low-power sensing & measurement MCUs overview](#).

### 8.2 Device Nomenclature

To designate the stages in the product development cycle, TI assigns prefixes to the part numbers of all MSP MCU devices. Each MSP MCU commercial family member has one of two prefixes: MSP or XMS. These prefixes represent evolutionary stages of product development from engineering prototypes (XMS) through fully qualified production devices (MSP).

**XMS** – Experimental device that is not necessarily representative of the final device's electrical specifications

**MSP** – Fully qualified production device

XMS devices are shipped against the following disclaimer:

"Developmental product is intended for internal evaluation purposes."

MSP devices have been characterized fully, and the quality and reliability of the device have been demonstrated fully. TI's standard warranty applies.

Predictions show that prototype devices (XMS) have a greater failure rate than the standard production devices. TI recommends that these devices not be used in any production system because their expected end-use failure rate still is undefined. Only qualified production devices are to be used.

TI device nomenclature also includes a suffix with the device family name. This suffix indicates the temperature range, package type, and distribution format. [Figure 8-1](#) provides a legend for reading the complete device name.

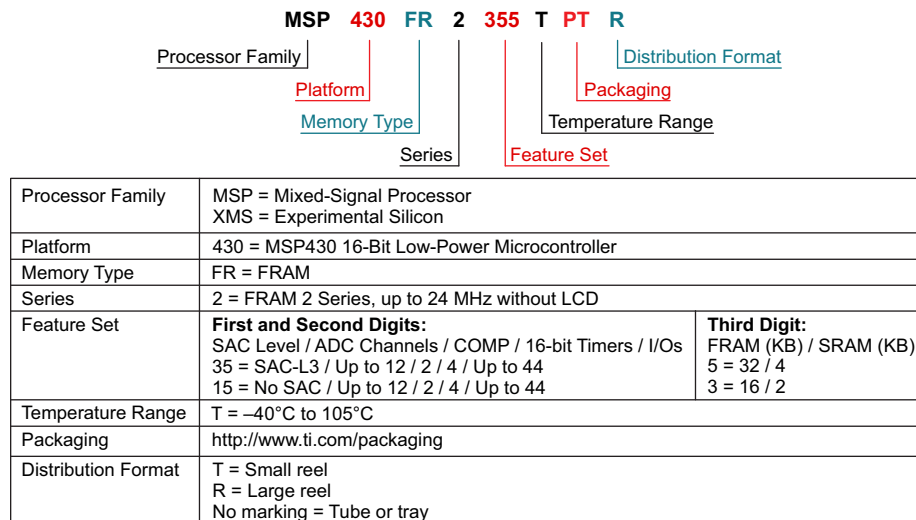


Figure 8-1. Device Nomenclature

### 8.3 Tools and Software

See the [Code Composer Studio™ IDE for MSP430™ MCUs User's Guide](#) for details on the available features.

[Table 8-1](#) lists the debug features supported by the MSP430FR235x and MSP430FR215x microcontrollers.

**Table 8-1. Hardware Features**

MSP430 ARCHITECTURE	4-WIRE JTAG	2-WIRE JTAG	BREAK-POINTS (N)	RANGE BREAK-POINTS	CLOCK CONTROL	STATE SEQUENCER	TRACE BUFFER	LPMx.5 DEBUGGING SUPPORT	EEM VERSION
MSP430Xv2	Yes	Yes	3	Yes	Yes	No	No	No	S

#### Design Kits and Evaluation Modules

##### [MSP430FR2355 LaunchPad Development Kit](#)

The MSP-EXP430FR2355 LaunchPad development kit is an easy-to-use evaluation module (EVM) that contains everything needed to start developing on the ultra-low-power MSP430FR215x and MSP430FR235x FRAM microcontroller family, including an onboard debug probe for programming, debugging, and energy measurements.

##### [MSP-TS430PT48 Target Development Board](#)

MSP-TS430PT48 target development board is a 48-pin ZIF socket target board that is used to program and debug the MSP430 MCU in-system through the JTAG interface or the Spy-Bi-Wire (2-wire JTAG) protocol.

#### Software

##### [MSP430Ware™ Software](#)

MSP430Ware software is a collection of code examples, data sheets, and other design resources for all MSP430 devices delivered in a convenient package. In addition to providing a complete collection of existing MSP430 design resources, MSP430Ware software also includes a high-level API called MSP Driver Library. This library makes it easy to program MSP430 hardware. MSP430Ware software is available as a component of CCS or as a stand-alone package.

##### [MSP430FR235x and MSP430FR215x Code Examples](#)

C code examples are available for every MSP device that configures each of the integrated peripherals for various application needs.

##### [MSP Driver Library](#)

The abstracted API of MSP Driver Library provides easy-to-use function calls that free you from directly manipulating the bits and bytes of the MSP430 hardware. Thorough documentation is delivered through a helpful API Guide, which includes details on each function call and the recognized parameters. Developers can use Driver Library functions to write complete projects with minimal overhead.

##### [MSP EnergyTrace™ Technology](#)

EnergyTrace technology for MSP430 microcontrollers is an energy-based code analysis tool that measures and displays the energy profile of the application and helps to optimize it for ultra-low-power consumption.

##### [ULP \(Ultra-Low Power\) Advisor](#)

ULP Advisor™ software is a tool for guiding developers to write more efficient code to fully use the unique ultra-low-power features of MSP430 and MSP432™ microcontrollers. Aimed at both experienced and new microcontroller developers, ULP Advisor checks your code against a thorough ULP checklist to help minimize the energy consumption of your application. At build time, ULP Advisor provides notifications and remarks to highlight areas of your code that can be further optimized for lower power.



## [FRAM Embedded Software Utilities for MSP Ultra-Low-Power Microcontrollers](#)

The FRAM Utilities is designed to grow as a collection of embedded software utilities that leverage the ultra-low-power and virtually unlimited write endurance of FRAM. The utilities are available for MSP430FRxx FRAM microcontrollers and provide example code to help start application development. Included utilities include Compute Through Power Loss (CTPL). CTPL is utility API set that enables ease of use with LPMx.5 low-power modes and a powerful shutdown mode that allows an application to save and restore critical system components when a power loss is detected.

## [IEC60730 Software Package](#)

The IEC60730 MSP430 software package was developed to help customers comply with IEC 60730-1:2010 (Automatic Electrical Controls for Household and Similar Use – Part 1: General Requirements) for up to Class B products, which includes home appliances, arc detectors, power converters, power tools, e-bikes, and many others. The IEC60730 MSP430 software package can be embedded in customer applications running on MSP430 MCUs to help simplify the customer's certification efforts of functional safety-compliant consumer devices to IEC 60730-1:2010 Class B.

## [Fixed-Point Math library for MSP](#)

The MSP IQmath and Qmath Libraries are a collection of highly optimized and high-precision mathematical functions for C programmers to seamlessly port a floating-point algorithm into fixed-point code on MSP430 and MSP432 devices. These routines are typically used in computationally intensive real-time applications where optimal execution speed, high accuracy, and ultra-low energy are critical. By using the IQmath and Qmath libraries, it is possible to achieve execution speeds considerably faster and energy consumption considerably lower than equivalent code written using floating-point math.

## [Floating-Point Math library for MSP430](#)

Continuing to innovate in the low-power and low-cost microcontroller space, TI provides MSPMATHLIB. Leveraging the intelligent peripherals of our devices, this floating-point math library of scalar functions that are up to 26 times faster than the standard MSP430 math functions. Mathlib is easy to integrate into your designs. This library is free and is integrated in both Code Composer Studio IDE and IAR Embedded Workbench IDE.

## **Development Tools**

### [Code Composer Studio™ Integrated Development Environment for MSP Microcontrollers](#)

Code Composer Studio (CCS) integrated development environment (IDE) supports all MSP microcontroller devices. CCS comprises a suite of embedded software utilities used to develop and debug embedded applications. It includes an optimizing C/C++ compiler, source code editor, project build environment, debugger, profiler, and many other features.

### [IAR Embedded Workbench® IDE](#)

IAR Embedded Workbench IDE for MSP430 MCUs is a complete C/C++ compiler toolchain for building and debugging embedded applications based on MSP430 microcontrollers. The debugger can be used for source and disassembly code with support for complex code and data breakpoints. It also provides a hardware simulator that allows debugging without a physical target connected.

### [Uniflash Standalone Flash Tool](#)

The Uniflash standalone flash tool is used to program on-chip flash memory on TI MCUs. Uniflash has a GUI, command line, and scripting interface. Uniflash is a software tool available by TI Cloud Tools or desktop application download from the TI web page.

### [MSP MCU Programmer and Debugger](#)

The MSP-FET is a powerful emulation development tool – often called a debug probe – which lets users quickly begin application development on MSP low-power MCUs. Creating MCU software usually requires downloading the resulting binary program to the MSP device for validation and debugging.

### [MSP-GANG Production Programmer](#)

The MSP Gang Programmer is an MSP430 or MSP432 device programmer that can program up to eight identical MSP430 or MSP432 flash or FRAM devices at the same time. The MSP Gang Programmer connects to a host PC using a standard RS-232 or USB connection and provides flexible programming options that let the user fully customize the process.

### [TIREX Resource Explorer \(TIRex\)](#)

An online portal to examples, libraries, executables, and documentation for your device and development board. TIRex can be accessed directly in Code Composer Studio IDE or in TI Cloud Tools.

### [TI Cloud Tools](#)

Start development immediately on [dev.ti.com](#). Begin by using the Resource Explorer interface to quickly find all the files you need. Then, edit, build, and debug embedded applications in the cloud, using industry-leading Code Composer Studio Cloud IDE.

### [GCC - Compiler for MSP](#)

MSP430 and MSP432 GCC open source packages are complete debugger and open source C/C++ compiler toolchains for building and debugging embedded applications based on MSP430 and MSP432 microcontrollers. These free GCC compilers support all MSP430 and MSP432 devices without code size limitations. In addition, these compilers can be used stand-alone from the command-line or within Code Composer Studio v6.0 or later. Get started today whether you are using a Windows®, Linux®, or macOS® environment.

## 8.4 Documentation Support

The following documents describe the MSP430FR235x and MSP430FR215x microcontrollers.

### Receiving Notification of Document Updates

To receive notification of documentation updates—including silicon errata—go to the product folder for your device on [ti.com](#) (for links to the product folders, see [Section 8.5](#)). In the upper right corner, click the "Alert me" button. This registers you to receive a weekly digest of product information that has changed (if any). For change details, see the revision history of any revised document.

### Errata

#### [MSP430FR2355 Device erratasheet](#)

Describes the known exceptions to the functional specifications for all silicon revisions of this device.

#### [MSP430FR2353 Device erratasheet](#)

Describes the known exceptions to the functional specifications for all silicon revisions of this device.

#### [MSP430FR2155 Device erratasheet](#)

Describes the known exceptions to the functional specifications for all silicon revisions of this device.

#### [MSP430FR2153 Device erratasheet](#)

Describes the known exceptions to the functional specifications for all silicon revisions of this device.

### User's Guides

#### [MSP430FR4xx and MSP430FR2xx Family User's Guide](#)

Detailed description of all modules and peripherals available in this device family.

#### [MSP430 FRAM device bootloader \(BSL\) User's Guide](#)

The bootloader (BSL) on MSP430 MCUs lets users communicate with embedded memory in the MSP430 MCU during the prototyping phase, final production, and in service. Both the programmable memory (FRAM memory) and the data memory (RAM) can be modified as required.

## MSP430 Programming With the JTAG Interface

This document describes the functions that are required to erase, program, and verify the memory module of the MSP430 flash-based and FRAM-based microcontroller families using the JTAG communication port. In addition, it describes how to program the JTAG access security fuse that is available on all MSP430 devices. This document describes device access using both the standard 4-wire JTAG interface and the 2-wire JTAG interface, which is also referred to as Spy-Bi-Wire (SBW).

## MSP430 Hardware Tools User's Guide

This manual describes the hardware of the TI MSP-FET430 Flash Emulation Tool (FET). The FET is the program development tool for the MSP430 ultra-low-power microcontroller. Both available interface types, the parallel port interface and the USB interface, are described.

## Application Reports

### MSP430 32-kHz Crystal oscillators

Selection of the right crystal, correct load circuit, and proper board layout are important for a stable crystal oscillator. This application report summarizes crystal oscillator function and explains the parameters to select the correct crystal for MSP430 ultra-low-power operation. In addition, hints and examples for correct board layout are given. The document also contains detailed information on the possible oscillator tests to ensure stable oscillator operation in mass production.

### MSP430 System-Level ESD Considerations

System-level ESD has become increasingly demanding with silicon technology scaling towards lower voltages and the need for designing cost-effective and ultra-low-power components. This application report addresses different ESD topics to help board designers and OEMs understand and design robust system-level designs.

## 8.5 Related Links

[Table 8-2](#) lists quick access links. Categories include technical documents, support and community resources, tools and software, and quick access to order now.

**Table 8-2. Related Links**

PARTS	PRODUCT FOLDER	ORDER NOW	TECHNICAL DOCUMENTS	TOOLS & SOFTWARE	SUPPORT & COMMUNITY
MSP430FR2355	<a href="#">Click here</a>	<a href="#">Click here</a>	<a href="#">Click here</a>	<a href="#">Click here</a>	<a href="#">Click here</a>
MSP430FR2353	<a href="#">Click here</a>	<a href="#">Click here</a>	<a href="#">Click here</a>	<a href="#">Click here</a>	<a href="#">Click here</a>
MSP430FR2155	<a href="#">Click here</a>	<a href="#">Click here</a>	<a href="#">Click here</a>	<a href="#">Click here</a>	<a href="#">Click here</a>
MSP430FR2153	<a href="#">Click here</a>	<a href="#">Click here</a>	<a href="#">Click here</a>	<a href="#">Click here</a>	<a href="#">Click here</a>

## 8.6 Trademarks

LaunchPad, MSP430, MSP430Ware, Code Composer Studio, E2E, EnergyTrace, ULP Advisor, MSP432 are trademarks of Texas Instruments.

macOS is a registered trademark of Apple, Inc.

IAR Embedded Workbench is a registered trademark of IAR Systems.

Linux is a registered trademark of Linus Torvalds.

Windows is a registered trademark of Microsoft Corporation.

## 8.7 Electrostatic Discharge Caution



This integrated circuit can be damaged by ESD. Texas Instruments recommends that all integrated circuits be handled with appropriate precautions. Failure to observe proper handling and installation procedures can cause damage.

ESD damage can range from subtle performance degradation to complete device failure. Precision integrated circuits may be more susceptible to damage because very small parametric changes could cause the device not to meet its published specifications.

## 8.8 Glossary

[TI Glossary](#) This glossary lists and explains terms, acronyms, and definitions.

## 9 Mechanical, Packaging, and Orderable Information

The following pages include mechanical, packaging, and orderable information. This information is the most current data available for the designated devices. This data is subject to change without notice and revision of this document. For browser-based versions of this data sheet, see the left-hand navigation.

**PACKAGING INFORMATION**

Orderable Device	Status (1)	Package Type	Package Drawing	Pins	Package Qty	Eco Plan (2)	Lead finish/ Ball material (6)	MSL Peak Temp (3)	Op Temp (°C)	Device Marking (4/5)	Samples
MSP430FR2153TDBT	ACTIVE	TSSOP	DBT	38	50	RoHS & Green	NIPDAU	Level-2-260C-1 YEAR	-40 to 105	430FR2153	<a href="#">Samples</a>
MSP430FR2153TDBTR	ACTIVE	TSSOP	DBT	38	2000	RoHS & Green	NIPDAU	Level-2-260C-1 YEAR	-40 to 105	430FR2153	<a href="#">Samples</a>
MSP430FR2153TPT	ACTIVE	LQFP	PT	48	250	RoHS & Green	NIPDAU	Level-3-260C-168 HR	-40 to 105	430FR2153	<a href="#">Samples</a>
MSP430FR2153TPTR	ACTIVE	LQFP	PT	48	1000	RoHS & Green	NIPDAU	Level-3-260C-168 HR	-40 to 105	430FR2153	<a href="#">Samples</a>
MSP430FR2153TRHAR	ACTIVE	VQFN	RHA	40	2500	RoHS & Green	NIPDAU	Level-3-260C-168 HR	-40 to 105	FR2153	<a href="#">Samples</a>
MSP430FR2153TRHAT	ACTIVE	VQFN	RHA	40	250	RoHS & Green	NIPDAU	Level-3-260C-168 HR	-40 to 105	FR2153	<a href="#">Samples</a>
MSP430FR2153TRSMR	ACTIVE	VQFN	RSM	32	3000	RoHS & Green	NIPDAU	Level-1-260C-UNLIM	-40 to 105	FR2153	<a href="#">Samples</a>
MSP430FR2153TRSMT	ACTIVE	VQFN	RSM	32	250	RoHS & Green	NIPDAU	Level-1-260C-UNLIM	-40 to 105	FR2153	<a href="#">Samples</a>
MSP430FR2155TDBT	ACTIVE	TSSOP	DBT	38	50	RoHS & Green	NIPDAU	Level-2-260C-1 YEAR	-40 to 105	430FR2155	<a href="#">Samples</a>
MSP430FR2155TDBTR	ACTIVE	TSSOP	DBT	38	2000	RoHS & Green	NIPDAU	Level-2-260C-1 YEAR	-40 to 105	430FR2155	<a href="#">Samples</a>
MSP430FR2155TPT	ACTIVE	LQFP	PT	48	250	RoHS & Green	NIPDAU	Level-3-260C-168 HR	-40 to 105	430FR2155	<a href="#">Samples</a>
MSP430FR2155TPTR	ACTIVE	LQFP	PT	48	1000	RoHS & Green	NIPDAU	Level-3-260C-168 HR	-40 to 105	430FR2155	<a href="#">Samples</a>
MSP430FR2155TRHAR	ACTIVE	VQFN	RHA	40	2500	RoHS & Green	NIPDAU	Level-3-260C-168 HR	-40 to 105	FR2155	<a href="#">Samples</a>
MSP430FR2155TRHAT	ACTIVE	VQFN	RHA	40	250	RoHS & Green	NIPDAU	Level-3-260C-168 HR	-40 to 105	FR2155	<a href="#">Samples</a>
MSP430FR2155TRSMR	ACTIVE	VQFN	RSM	32	3000	RoHS & Green	NIPDAU	Level-1-260C-UNLIM	-40 to 105	FR2155	<a href="#">Samples</a>
MSP430FR2155TRSMT	ACTIVE	VQFN	RSM	32	250	RoHS & Green	NIPDAU	Level-1-260C-UNLIM	-40 to 105	FR2155	<a href="#">Samples</a>
MSP430FR2353TDBT	ACTIVE	TSSOP	DBT	38	50	RoHS & Green	NIPDAU	Level-2-260C-1 YEAR	-40 to 105	430FR2353	<a href="#">Samples</a>
MSP430FR2353TDBTR	ACTIVE	TSSOP	DBT	38	2000	RoHS & Green	NIPDAU	Level-2-260C-1 YEAR	-40 to 105	430FR2353	<a href="#">Samples</a>
MSP430FR2353TPT	ACTIVE	LQFP	PT	48	250	RoHS & Green	NIPDAU	Level-3-260C-168 HR	-40 to 105	430FR2353	<a href="#">Samples</a>
MSP430FR2353TPTR	ACTIVE	LQFP	PT	48	1000	RoHS & Green	NIPDAU	Level-3-260C-168 HR	-40 to 105	430FR2353	<a href="#">Samples</a>

Orderable Device	Status (1)	Package Type	Package Drawing	Pins	Package Qty	Eco Plan (2)	Lead finish/ Ball material (6)	MSL Peak Temp (3)	Op Temp (°C)	Device Marking (4/5)	Samples
MSP430FR2353TRHAR	ACTIVE	VQFN	RHA	40	2500	RoHS & Green	NIPDAU	Level-3-260C-168 HR	-40 to 105	FR2353	<a href="#">Samples</a>
MSP430FR2353TRHAT	ACTIVE	VQFN	RHA	40	250	RoHS & Green	NIPDAU	Level-3-260C-168 HR	-40 to 105	FR2353	<a href="#">Samples</a>
MSP430FR2353TRSMR	ACTIVE	VQFN	RSM	32	3000	RoHS & Green	NIPDAU	Level-1-260C-UNLIM	-40 to 105	FR2353	<a href="#">Samples</a>
MSP430FR2353TRSMT	ACTIVE	VQFN	RSM	32	250	RoHS & Green	NIPDAU	Level-1-260C-UNLIM	-40 to 105	FR2353	<a href="#">Samples</a>
MSP430FR2355TDBT	ACTIVE	TSSOP	DBT	38	50	RoHS & Green	NIPDAU	Level-2-260C-1 YEAR	-40 to 105	430FR2355	<a href="#">Samples</a>
MSP430FR2355TDBTR	ACTIVE	TSSOP	DBT	38	2000	RoHS & Green	NIPDAU	Level-2-260C-1 YEAR	-40 to 105	430FR2355	<a href="#">Samples</a>
MSP430FR2355TPT	ACTIVE	LQFP	PT	48	250	RoHS & Green	NIPDAU	Level-3-260C-168 HR	-40 to 105	430FR2355	<a href="#">Samples</a>
MSP430FR2355TPTR	ACTIVE	LQFP	PT	48	1000	RoHS & Green	NIPDAU	Level-3-260C-168 HR	-40 to 105	430FR2355	<a href="#">Samples</a>
MSP430FR2355TRHAR	ACTIVE	VQFN	RHA	40	2500	RoHS & Green	NIPDAU	Level-3-260C-168 HR	-40 to 105	FR2355	<a href="#">Samples</a>
MSP430FR2355TRHAT	ACTIVE	VQFN	RHA	40	250	RoHS & Green	NIPDAU	Level-3-260C-168 HR	-40 to 105	FR2355	<a href="#">Samples</a>
MSP430FR2355TRSMR	ACTIVE	VQFN	RSM	32	3000	RoHS & Green	NIPDAU	Level-1-260C-UNLIM	-40 to 105	FR2355	<a href="#">Samples</a>
MSP430FR2355TRSMT	ACTIVE	VQFN	RSM	32	250	RoHS & Green	NIPDAU	Level-1-260C-UNLIM	-40 to 105	FR2355	<a href="#">Samples</a>

(1) The marketing status values are defined as follows:

**ACTIVE:** Product device recommended for new designs.

**LIFEBUY:** TI has announced that the device will be discontinued, and a lifetime-buy period is in effect.

**NRND:** Not recommended for new designs. Device is in production to support existing customers, but TI does not recommend using this part in a new design.

**PREVIEW:** Device has been announced but is not in production. Samples may or may not be available.

**OBSOLETE:** TI has discontinued the production of the device.

(2) **RoHS:** TI defines "RoHS" to mean semiconductor products that are compliant with the current EU RoHS requirements for all 10 RoHS substances, including the requirement that RoHS substance do not exceed 0.1% by weight in homogeneous materials. Where designed to be soldered at high temperatures, "RoHS" products are suitable for use in specified lead-free processes. TI may reference these types of products as "Pb-Free".

**RoHS Exempt:** TI defines "RoHS Exempt" to mean products that contain lead but are compliant with EU RoHS pursuant to a specific EU RoHS exemption.

**Green:** TI defines "Green" to mean the content of Chlorine (Cl) and Bromine (Br) based flame retardants meet JS709B low halogen requirements of <=1000ppm threshold. Antimony trioxide based flame retardants must also meet the <=1000ppm threshold requirement.

(3) MSL, Peak Temp. - The Moisture Sensitivity Level rating according to the JEDEC industry standard classifications, and peak solder temperature.

- (4) There may be additional marking, which relates to the logo, the lot trace code information, or the environmental category on the device.
- (5) Multiple Device Markings will be inside parentheses. Only one Device Marking contained in parentheses and separated by a "~" will appear on a device. If a line is indented then it is a continuation of the previous line and the two combined represent the entire Device Marking for that device.
- (6) Lead finish/Ball material - Orderable Devices may have multiple material finish options. Finish options are separated by a vertical ruled line. Lead finish/Ball material values may wrap to two lines if the finish value exceeds the maximum column width.

**Important Information and Disclaimer:**The information provided on this page represents TI's knowledge and belief as of the date that it is provided. TI bases its knowledge and belief on information provided by third parties, and makes no representation or warranty as to the accuracy of such information. Efforts are underway to better integrate information from third parties. TI has taken and continues to take reasonable steps to provide representative and accurate information but may not have conducted destructive testing or chemical analysis on incoming materials and chemicals. TI and TI suppliers consider certain information to be proprietary, and thus CAS numbers and other limited information may not be available for release.

In no event shall TI's liability arising out of such information exceed the total purchase price of the TI part(s) at issue in this document sold by TI to Customer on an annual basis.



**TAPE AND REEL INFORMATION**

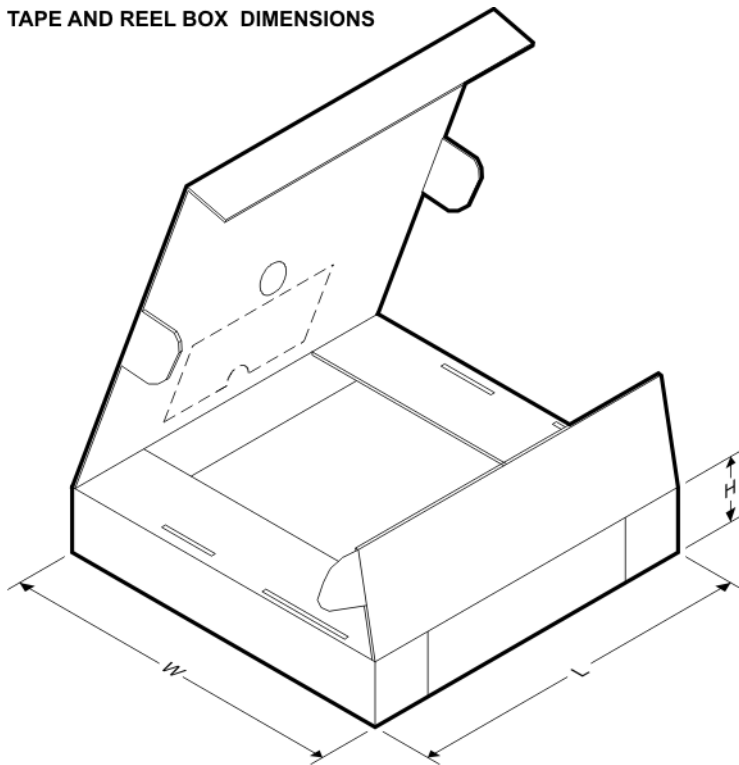
**QUADRANT ASSIGNMENTS FOR PIN 1 ORIENTATION IN TAPE**


\*All dimensions are nominal

Device	Package Type	Package Drawing	Pins	SPQ	Reel Diameter (mm)	Reel Width W1 (mm)	A0 (mm)	B0 (mm)	K0 (mm)	P1 (mm)	W (mm)	Pin1 Quadrant
MSP430FR2153TDBTR	TSSOP	DBT	38	2000	330.0	16.4	6.9	10.2	1.8	12.0	16.0	Q1
MSP430FR2153TPTR	LQFP	PT	48	1000	330.0	16.4	9.6	9.6	1.9	12.0	16.0	Q2
MSP430FR2153TRHAR	VQFN	RHA	40	2500	330.0	16.4	6.3	6.3	1.1	12.0	16.0	Q2
MSP430FR2153TRHAT	VQFN	RHA	40	250	180.0	16.4	6.3	6.3	1.1	12.0	16.0	Q2
MSP430FR2153TRSMR	VQFN	RSM	32	3000	330.0	12.4	4.25	4.25	1.15	8.0	12.0	Q2
MSP430FR2153TRSMT	VQFN	RSM	32	250	180.0	12.4	4.25	4.25	1.15	8.0	12.0	Q2
MSP430FR2155TDBTR	TSSOP	DBT	38	2000	330.0	16.4	6.9	10.2	1.8	12.0	16.0	Q1
MSP430FR2155TPTR	LQFP	PT	48	1000	330.0	16.4	9.6	9.6	1.9	12.0	16.0	Q2
MSP430FR2155TRHAR	VQFN	RHA	40	2500	330.0	16.4	6.3	6.3	1.1	12.0	16.0	Q2
MSP430FR2155TRHAT	VQFN	RHA	40	250	180.0	16.4	6.3	6.3	1.1	12.0	16.0	Q2
MSP430FR2155TRSMR	VQFN	RSM	32	3000	330.0	12.4	4.25	4.25	1.15	8.0	12.0	Q2
MSP430FR2155TRSMT	VQFN	RSM	32	250	180.0	12.4	4.25	4.25	1.15	8.0	12.0	Q2
MSP430FR2353TDBTR	TSSOP	DBT	38	2000	330.0	16.4	6.9	10.2	1.8	12.0	16.0	Q1
MSP430FR2353TPTR	LQFP	PT	48	1000	330.0	16.4	9.6	9.6	1.9	12.0	16.0	Q2
MSP430FR2353TRHAR	VQFN	RHA	40	2500	330.0	16.4	6.3	6.3	1.1	12.0	16.0	Q2
MSP430FR2353TRHAT	VQFN	RHA	40	250	180.0	16.4	6.3	6.3	1.1	12.0	16.0	Q2
MSP430FR2353TRSMR	VQFN	RSM	32	3000	330.0	12.4	4.25	4.25	1.15	8.0	12.0	Q2
MSP430FR2353TRSMT	VQFN	RSM	32	250	180.0	12.4	4.25	4.25	1.15	8.0	12.0	Q2

Device	Package Type	Package Drawing	Pins	SPQ	Reel Diameter (mm)	Reel Width W1 (mm)	A0 (mm)	B0 (mm)	K0 (mm)	P1 (mm)	W (mm)	Pin1 Quadrant
MSP430FR2355TDBTR	TSSOP	DBT	38	2000	330.0	16.4	6.9	10.2	1.8	12.0	16.0	Q1
MSP430FR2355TPTR	LQFP	PT	48	1000	330.0	16.4	9.6	9.6	1.9	12.0	16.0	Q2
MSP430FR2355TRHAR	VQFN	RHA	40	2500	330.0	16.4	6.3	6.3	1.1	12.0	16.0	Q2
MSP430FR2355TRHAT	VQFN	RHA	40	250	180.0	16.4	6.3	6.3	1.1	12.0	16.0	Q2
MSP430FR2355TRSMR	VQFN	RSM	32	3000	330.0	12.4	4.25	4.25	1.15	8.0	12.0	Q2
MSP430FR2355TRSMT	VQFN	RSM	32	250	180.0	12.4	4.25	4.25	1.15	8.0	12.0	Q2

### TAPE AND REEL BOX DIMENSIONS



\*All dimensions are nominal

Device	Package Type	Package Drawing	Pins	SPQ	Length (mm)	Width (mm)	Height (mm)
MSP430FR2153TDBTR	TSSOP	DBT	38	2000	350.0	350.0	43.0
MSP430FR2153TPTR	LQFP	PT	48	1000	336.6	336.6	31.8
MSP430FR2153TRHAR	VQFN	RHA	40	2500	367.0	367.0	35.0
MSP430FR2153TRHAT	VQFN	RHA	40	250	210.0	185.0	35.0
MSP430FR2153TRSMR	VQFN	RSM	32	3000	367.0	367.0	35.0
MSP430FR2153TRSMT	VQFN	RSM	32	250	210.0	185.0	35.0
MSP430FR2155TDBTR	TSSOP	DBT	38	2000	350.0	350.0	43.0
MSP430FR2155TPTR	LQFP	PT	48	1000	336.6	336.6	31.8
MSP430FR2155TRHAR	VQFN	RHA	40	2500	367.0	367.0	35.0
MSP430FR2155TRHAT	VQFN	RHA	40	250	210.0	185.0	35.0
MSP430FR2155TRSMR	VQFN	RSM	32	3000	367.0	367.0	35.0

Device	Package Type	Package Drawing	Pins	SPQ	Length (mm)	Width (mm)	Height (mm)
MSP430FR2155TRSMT	VQFN	RSM	32	250	210.0	185.0	35.0
MSP430FR2353TDBTR	TSSOP	DBT	38	2000	350.0	350.0	43.0
MSP430FR2353TPTR	LQFP	PT	48	1000	336.6	336.6	31.8
MSP430FR2353TRHAR	VQFN	RHA	40	2500	367.0	367.0	35.0
MSP430FR2353TRHAT	VQFN	RHA	40	250	210.0	185.0	35.0
MSP430FR2353TRSMR	VQFN	RSM	32	3000	367.0	367.0	35.0
MSP430FR2353TRSMT	VQFN	RSM	32	250	210.0	185.0	35.0
MSP430FR2355TDBTR	TSSOP	DBT	38	2000	350.0	350.0	43.0
MSP430FR2355TPTR	LQFP	PT	48	1000	336.6	336.6	31.8
MSP430FR2355TRHAR	VQFN	RHA	40	2500	367.0	367.0	35.0
MSP430FR2355TRHAT	VQFN	RHA	40	250	210.0	185.0	35.0
MSP430FR2355TRSMR	VQFN	RSM	32	3000	367.0	367.0	35.0
MSP430FR2355TRSMT	VQFN	RSM	32	250	210.0	185.0	35.0

**TUBE**


\*All dimensions are nominal

Device	Package Name	Package Type	Pins	SPQ	L (mm)	W (mm)	T ( $\mu$ m)	B (mm)
MSP430FR2153TDBT	DBT	TSSOP	38	50	530	10.2	3600	3.5
MSP430FR2155TDBT	DBT	TSSOP	38	50	530	10.2	3600	3.5
MSP430FR2353TDBT	DBT	TSSOP	38	50	530	10.2	3600	3.5
MSP430FR2355TDBT	DBT	TSSOP	38	50	530	10.2	3600	3.5

**TRAY**


Chamfer on Tray corner indicates Pin 1 orientation of packed units.

\*All dimensions are nominal

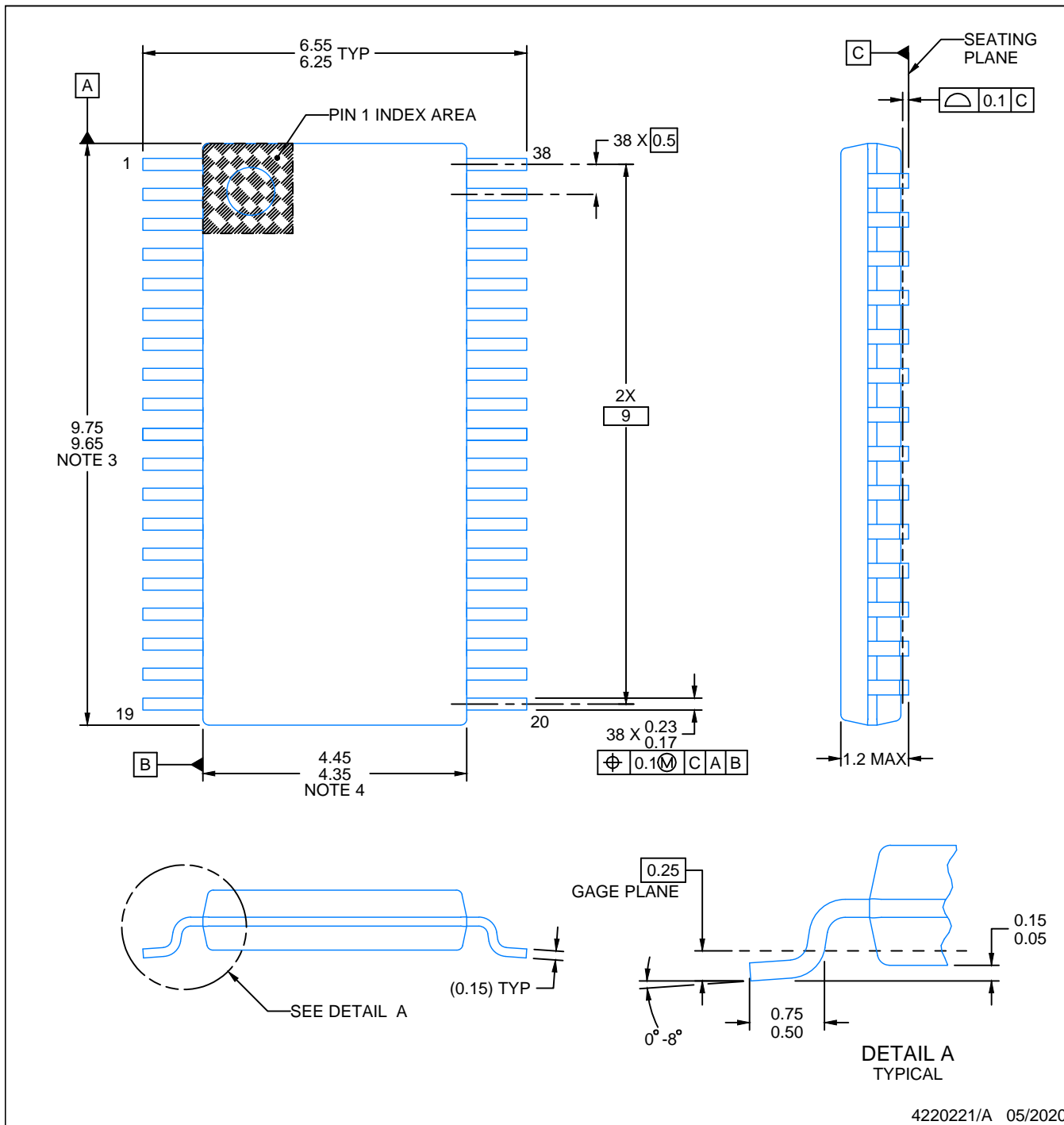
Device	Package Name	Package Type	Pins	SPQ	Unit array matrix	Max temperature (°C)	L (mm)	W (mm)	K0 (µm)	P1 (mm)	CL (mm)	CW (mm)
MSP430FR2153TPT	PT	LQFP	48	250	10 x 25	150	315	135.9	7620	12.2	11.1	11.25
MSP430FR2153TPT	PT	LQFP	48	250	10 x 25	150	315	135.9	7620	12.2	11.1	11.25
MSP430FR2155TPT	PT	LQFP	48	250	10 x 25	150	315	135.9	7620	12.2	11.1	11.25
MSP430FR2155TPT	PT	LQFP	48	250	10 x 25	150	315	135.9	7620	12.2	11.1	11.25
MSP430FR2353TPT	PT	LQFP	48	250	10 x 25	150	315	135.9	7620	12.2	11.1	11.25
MSP430FR2353TPT	PT	LQFP	48	250	10 x 25	150	315	135.9	7620	12.2	11.1	11.25
MSP430FR2355TPT	PT	LQFP	48	250	10 x 25	150	315	135.9	7620	12.2	11.1	11.25
MSP430FR2355TPT	PT	LQFP	48	250	10 x 25	150	315	135.9	7620	12.2	11.1	11.25

# PACKAGE OUTLINE

DBT0038A

TSSOP - 1.2 mm max height

SMALL OUTLINE PACKAGE



NOTES:

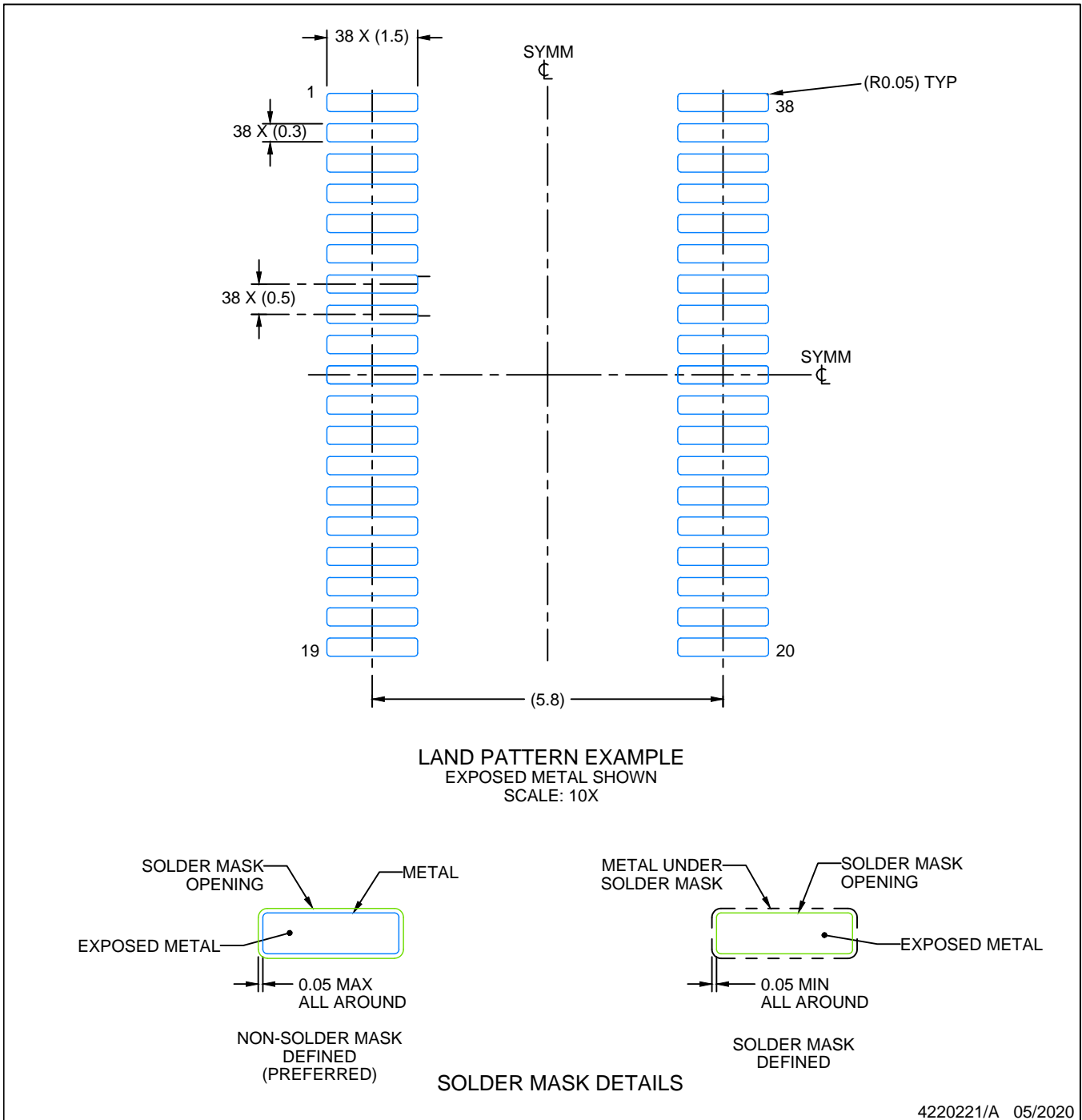
1. All linear dimensions are in millimeters. Any dimensions in parenthesis are for reference only. Dimensioning and tolerancing per ASME Y14.5M.
2. This drawing is subject to change without notice.
3. This dimension does not include mold flash, protrusions, or gate burrs. Mold flash, protrusions, or gate burrs shall not exceed 0.15 mm per side.
4. This dimension does not include interlead flash. Interlead flash shall not exceed 0.25 mm per side.
5. Reference JEDEC registration MO-153.

# EXAMPLE BOARD LAYOUT

DBT0038A

TSSOP - 1.2 mm max height

SMALL OUTLINE PACKAGE



4220221/A 05/2020

NOTES: (continued)

6. Publication IPC-7351 may have alternate designs.

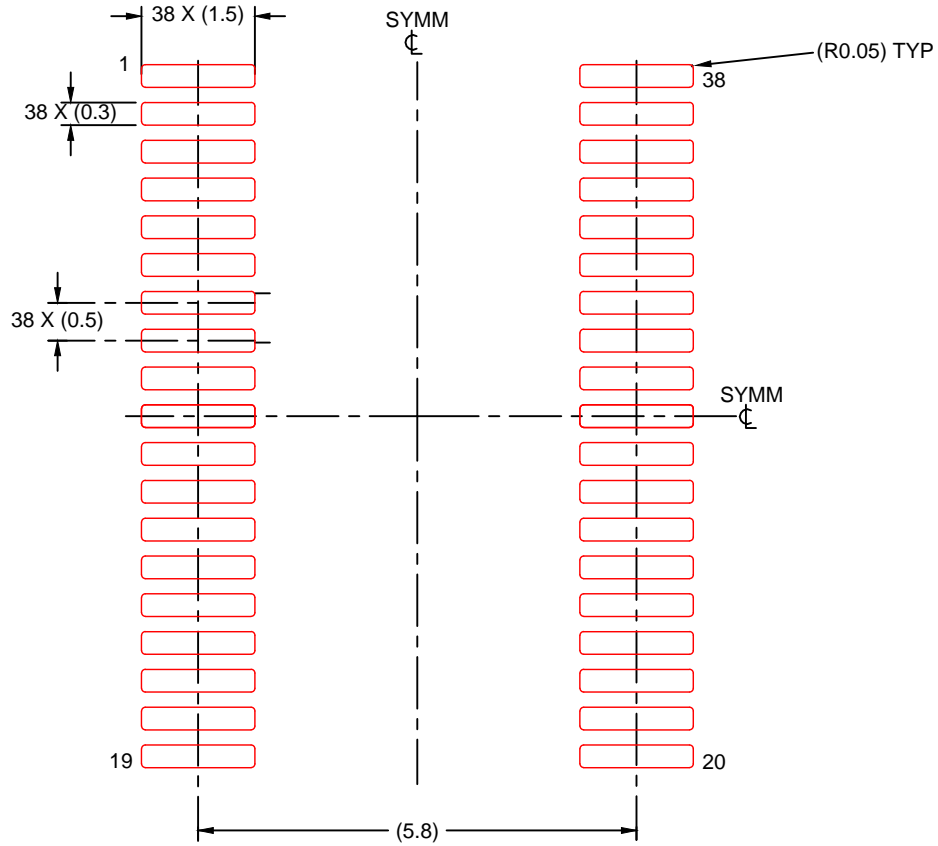
7. Solder mask tolerances between and around signal pads can vary based on board fabrication site.

# EXAMPLE STENCIL DESIGN

DBT0038A

TSSOP - 1.2 mm max height

SMALL OUTLINE PACKAGE



SOLDER PASTE EXAMPLE  
BASED ON 0.125 mm THICK STENCIL  
SCALE: 10X

4220221/A 05/2020

NOTES: (continued)

8. Laser cutting apertures with trapezoidal walls and rounded corners may offer better paste release. IPC-7525 may have alternate design recommendations.
9. Board assembly site may have different recommendations for stencil design.



## GENERIC PACKAGE VIEW

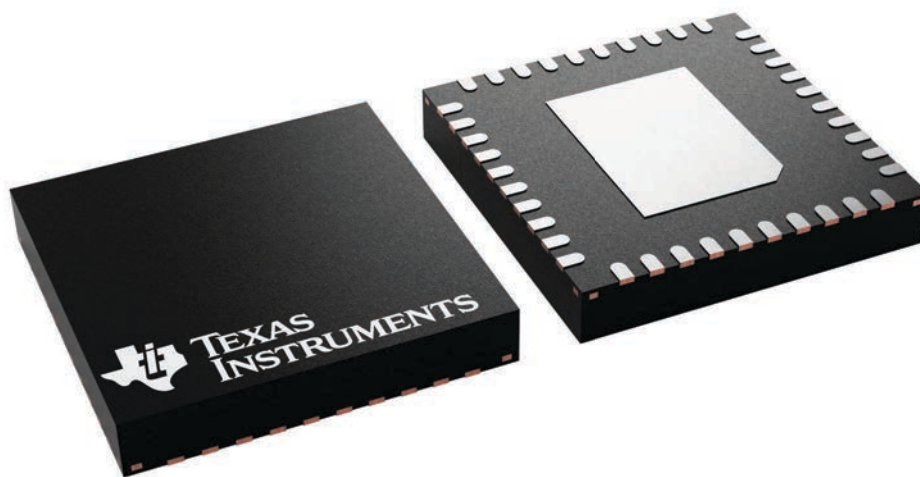
**RHA 40**

**VQFN - 1 mm max height**

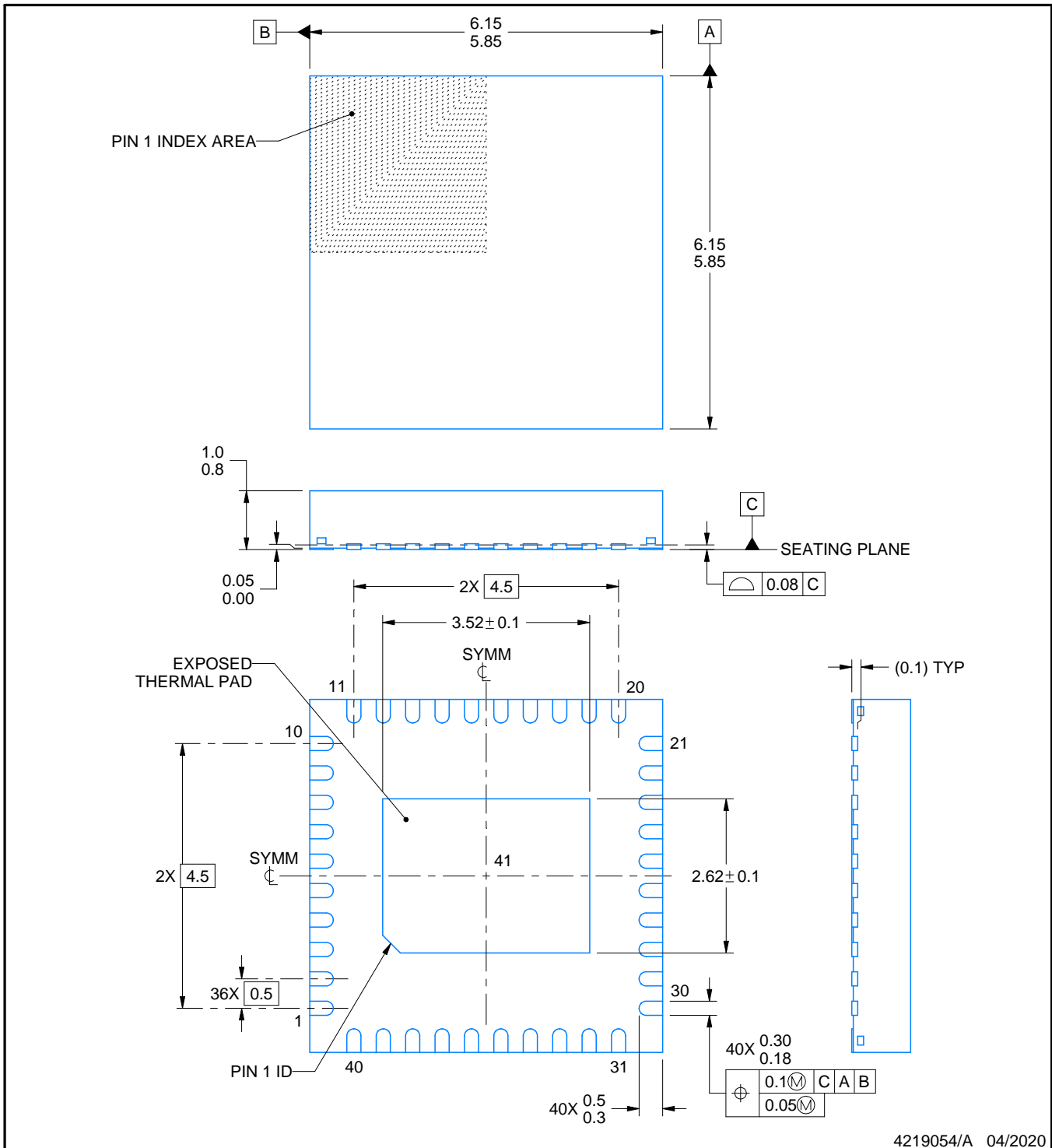
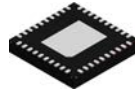
6 x 6, 0.5 mm pitch

PLASTIC QUAD FLATPACK - NO LEAD

This image is a representation of the package family, actual package may vary.  
Refer to the product data sheet for package details.



4225870/A



4219054/A 04/2020

NOTES:

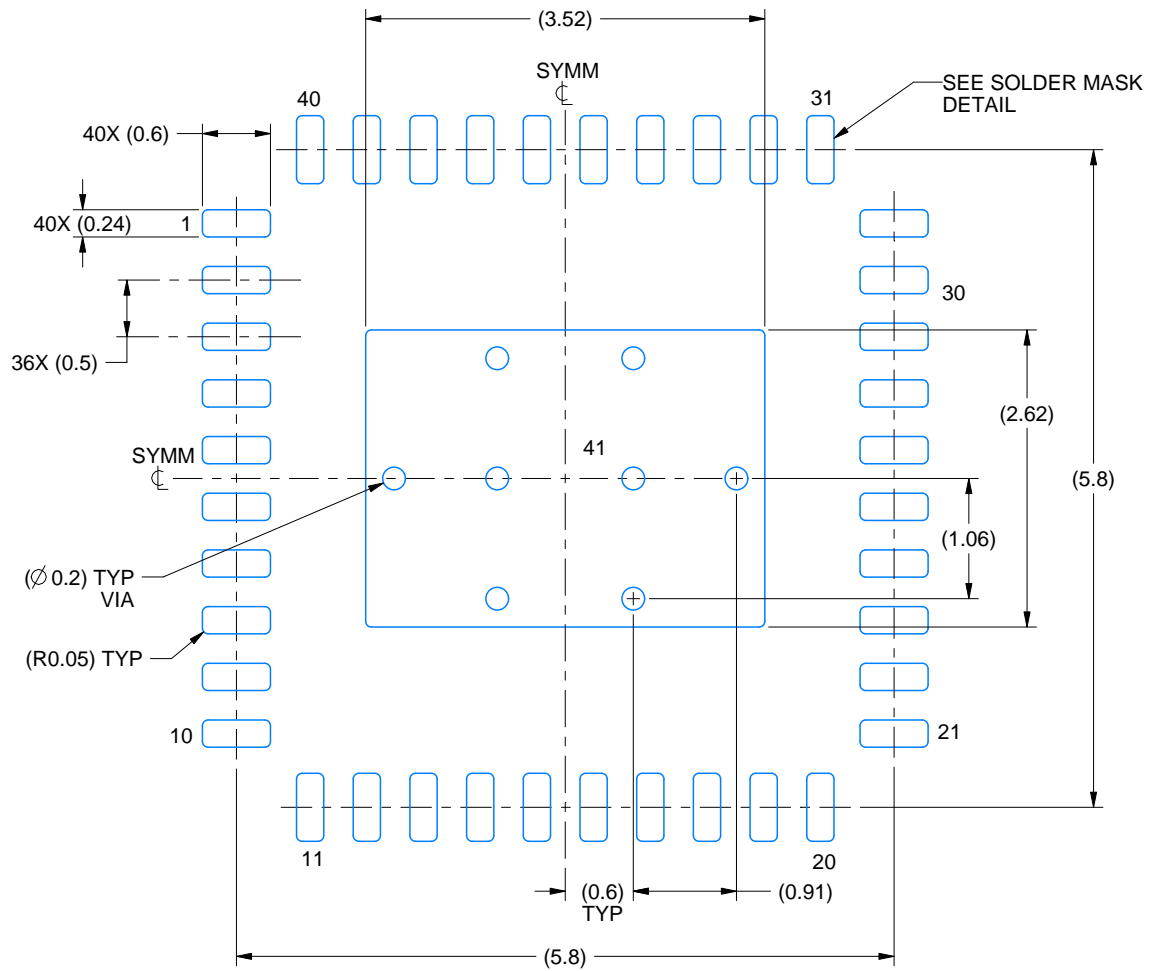
1. All linear dimensions are in millimeters. Any dimensions in parenthesis are for reference only. Dimensioning and tolerancing per ASME Y14.5M.
2. This drawing is subject to change without notice.
3. The package thermal pad must be soldered to the printed circuit board for thermal and mechanical performance.

# EXAMPLE BOARD LAYOUT

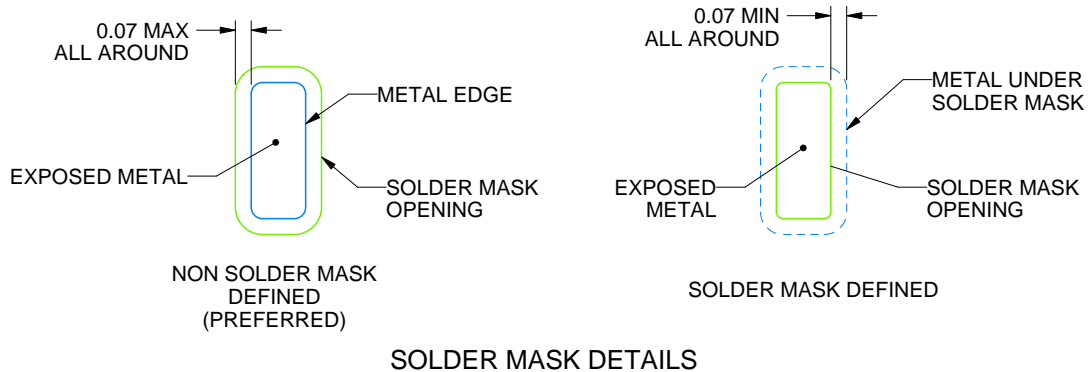
RHA0040E

VQFN - 1 mm max height

PLASTIC QUAD FLATPACK - NO LEAD



LAND PATTERN EXAMPLE  
EXPOSED METAL SHOWN  
SCALE: 15X



4219054/A 04/2020

NOTES: (continued)

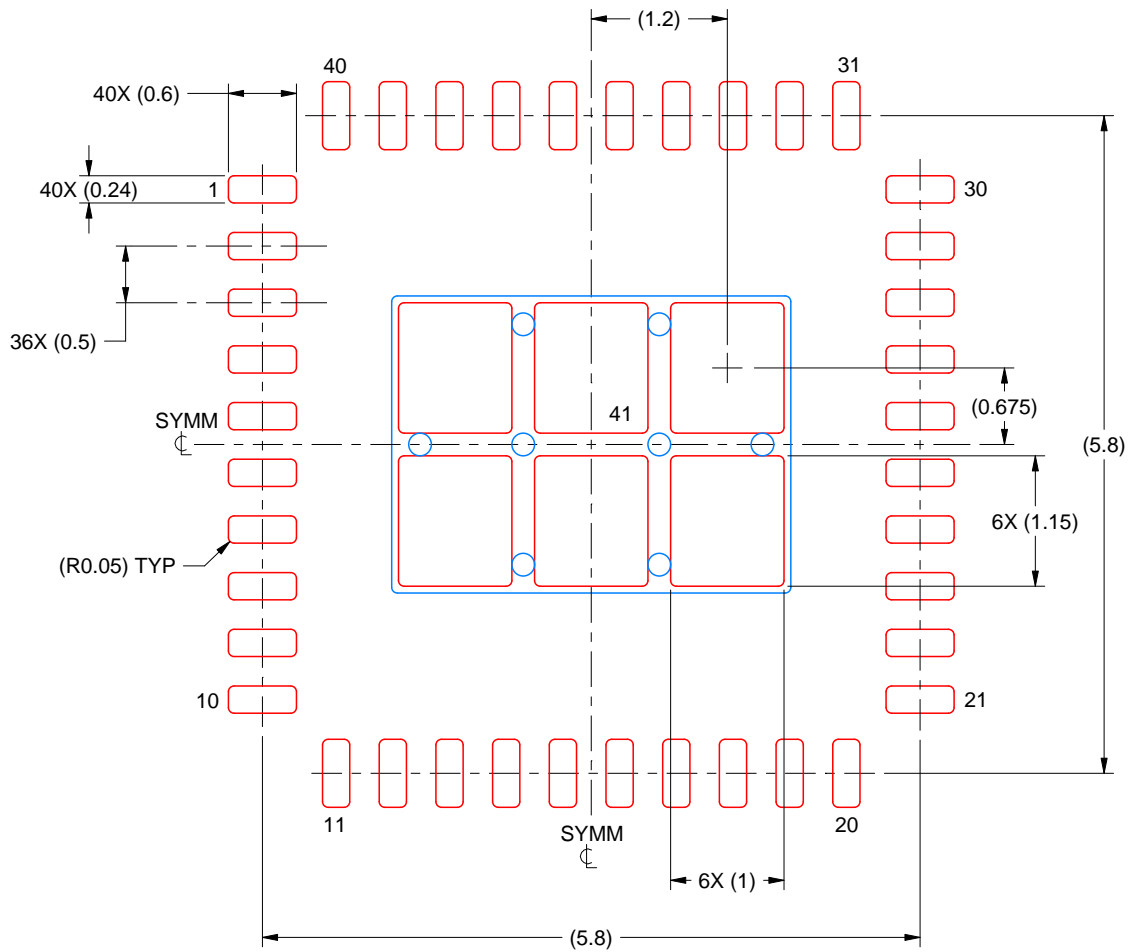
- This package is designed to be soldered to a thermal pad on the board. For more information, see Texas Instruments literature number SLUA271 ([www.ti.com/lit/sluea271](http://www.ti.com/lit/sluea271)).
- Vias are optional depending on application, refer to device data sheet. If any vias are implemented, refer to their locations shown on this view. It is recommended that vias under paste be filled, plugged or tented.

# EXAMPLE STENCIL DESIGN

RHA0040E

VQFN - 1 mm max height

PLASTIC QUAD FLATPACK - NO LEAD



SOLDER PASTE EXAMPLE  
BASED ON 0.125 MM THICK STENCIL  
SCALE: 15X

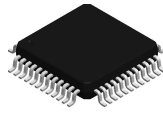
EXPOSED PAD 41  
75% PRINTED SOLDER COVERAGE BY AREA UNDER PACKAGE

4219054/A 04/2020

NOTES: (continued)

6. Laser cutting apertures with trapezoidal walls and rounded corners may offer better paste release. IPC-7525 may have alternate design recommendations.

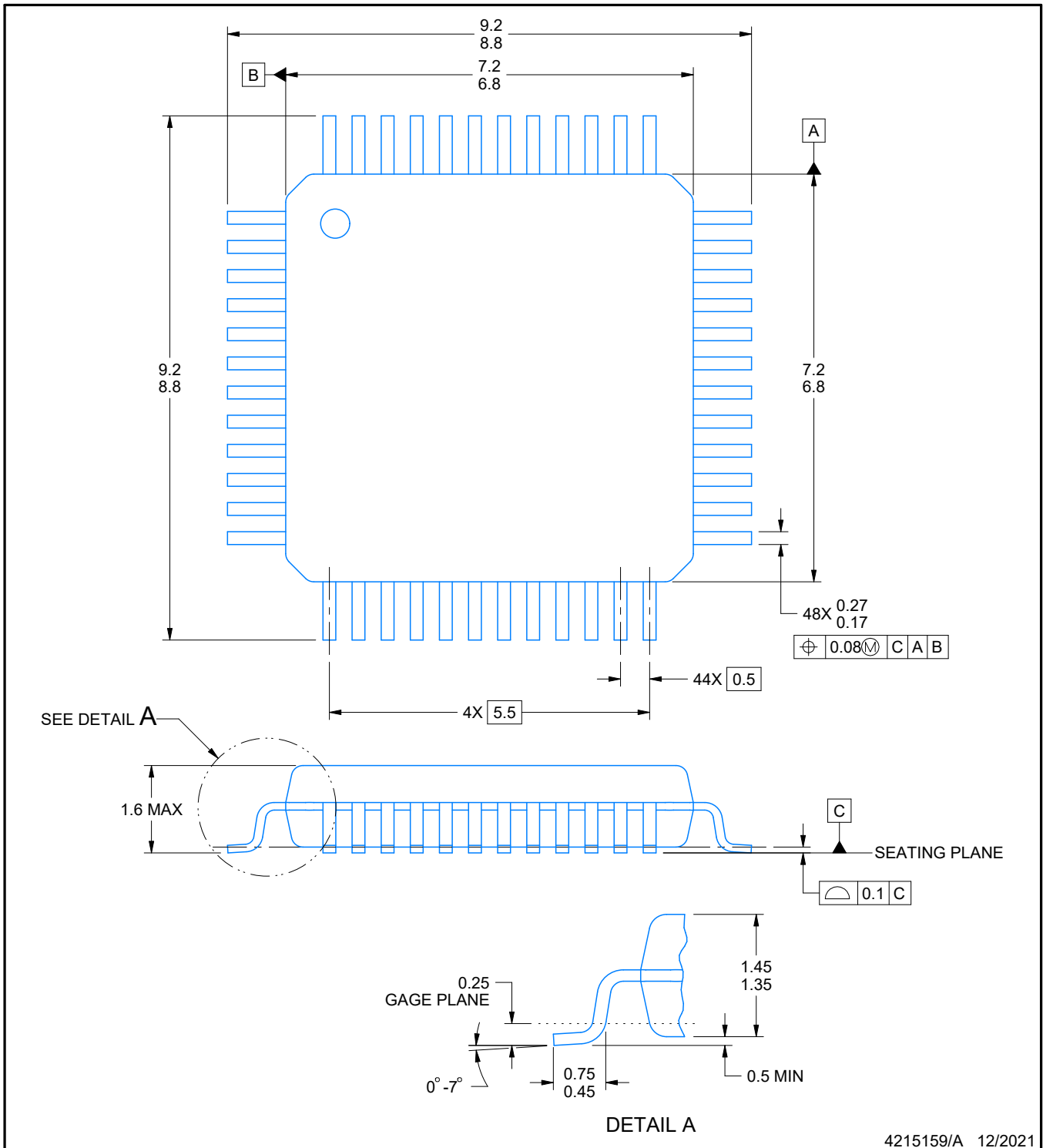
PT0048A



# PACKAGE OUTLINE

LQFP - 1.6 mm max height

LOW PROFILE QUAD FLATPACK



4215159/A 12/2021

NOTES:

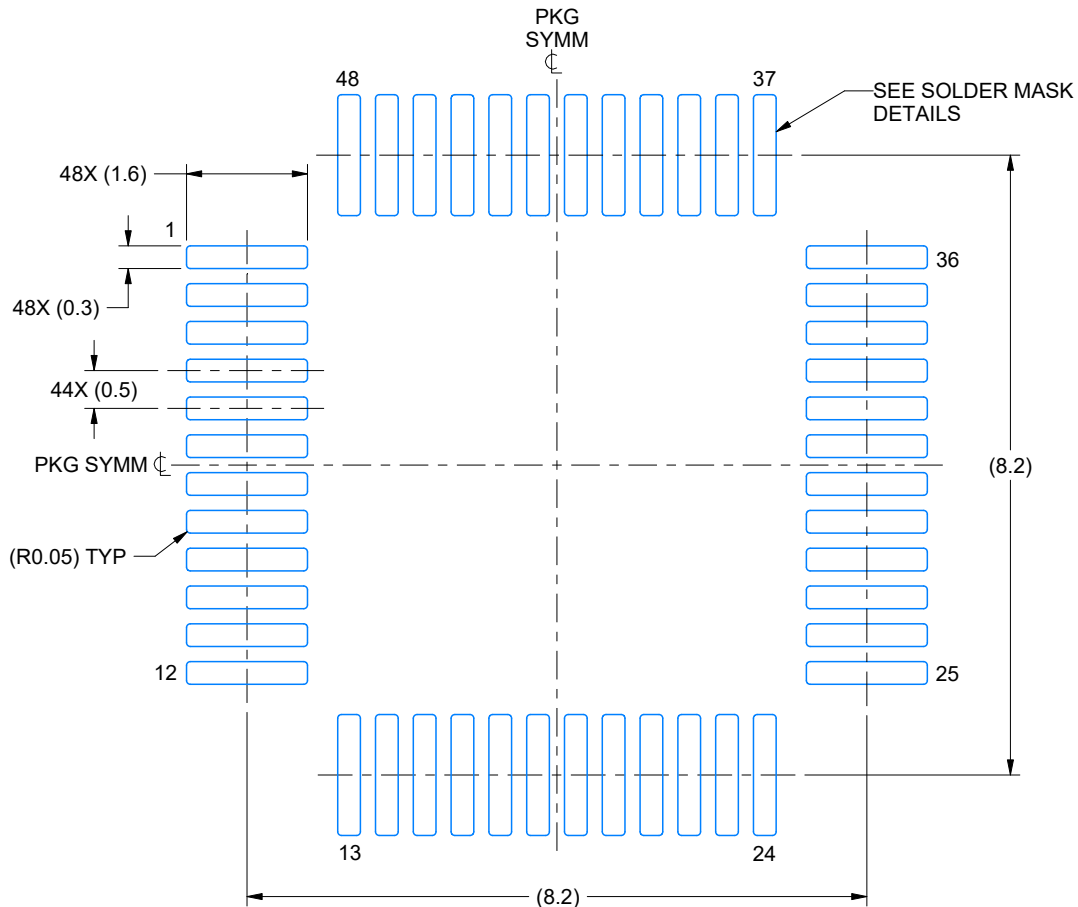
- 1. All linear dimensions are in millimeters. Any dimensions in parenthesis are for reference only. Dimensioning and tolerancing per ASME Y14.5M.
- 2. This drawing is subject to change without notice.
- 3. Reference JEDEC registration MS-026.
- 4. This may also be a thermally enhanced plastic package with leads connected to the die pads.

# EXAMPLE BOARD LAYOUT

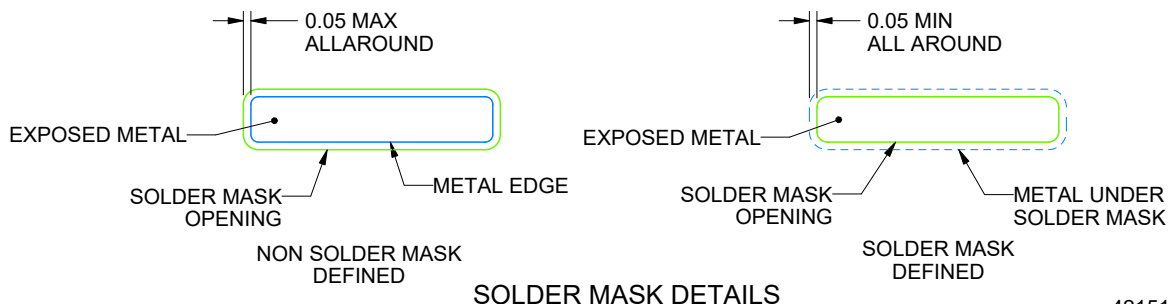
PT0048A

LQFP - 1.6 mm max height

LOW PROFILE QUAD FLATPACK



LAND PATTERN EXAMPLE  
EXPOSED METAL SHOWN  
SCALE 10.000



SOLDER MASK DETAILS

4215159/A 12/2021

NOTES: (continued)

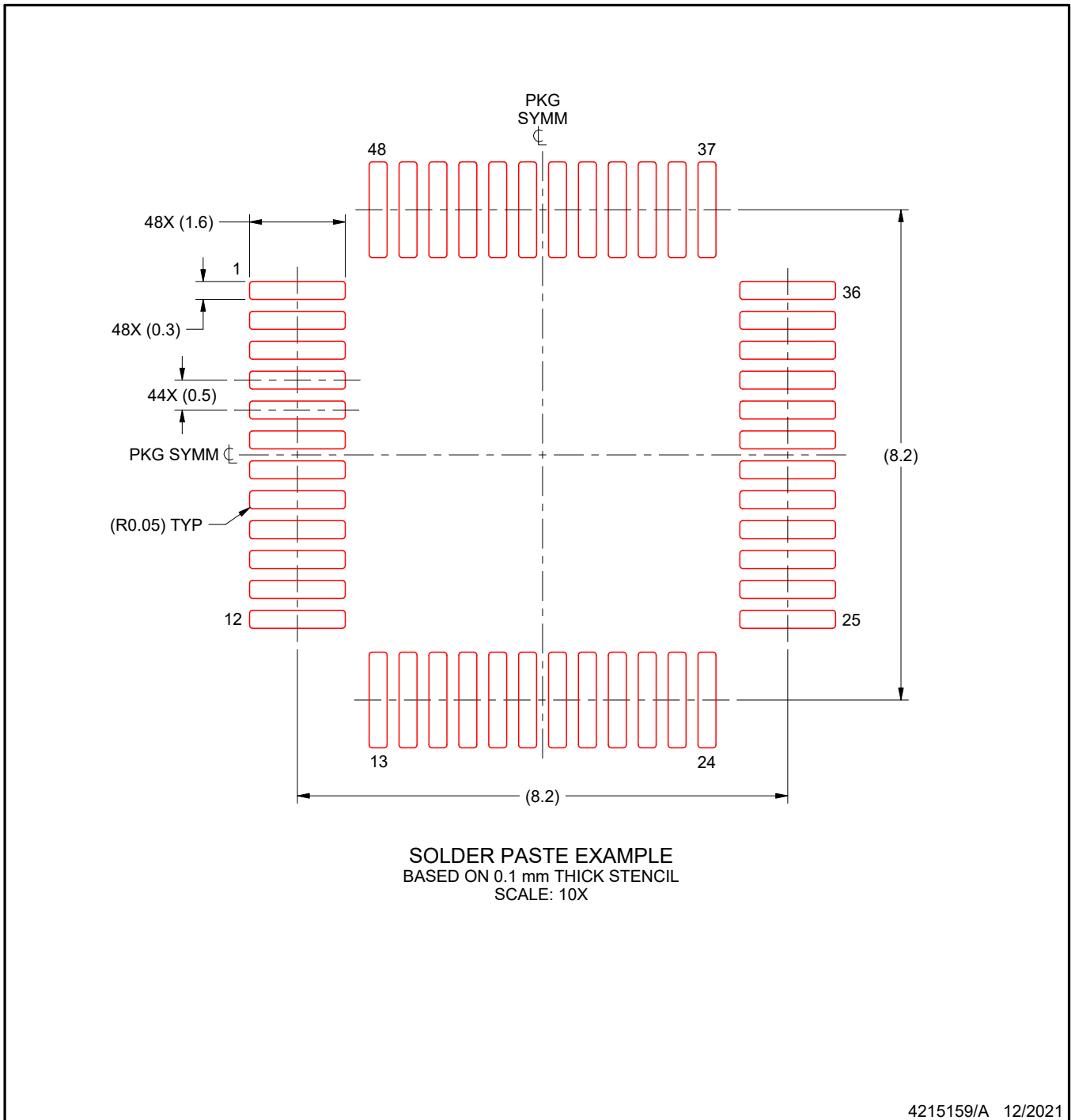
- 5. Publication IPC-7351 may have alternate designs.
- 6. Solder mask tolerances between and around signal pads can vary based on board fabrication site.

# EXAMPLE STENCIL DESIGN

PT0048A

LQFP - 1.6 mm max height

LOW PROFILE QUAD FLATPACK



NOTES: (continued)

7. Laser cutting apertures with trapezoidal walls and rounded corners may offer better paste release. IPC-7525 may have alternate design recommendations.
8. Board assembly site may have different recommendations for stencil design.

## GENERIC PACKAGE VIEW

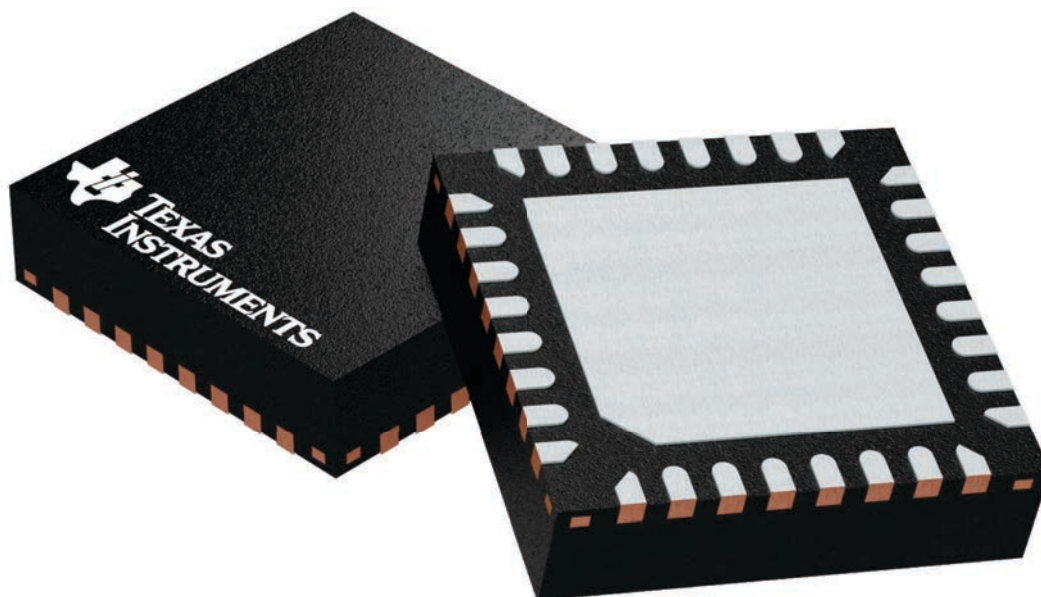
**RSM 32**

**VQFN - 1 mm max height**

4 x 4, 0.4 mm pitch

PLASTIC QUAD FLATPACK - NO LEAD

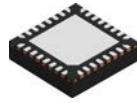
This image is a representation of the package family, actual package may vary.  
Refer to the product data sheet for package details.



4224982/A



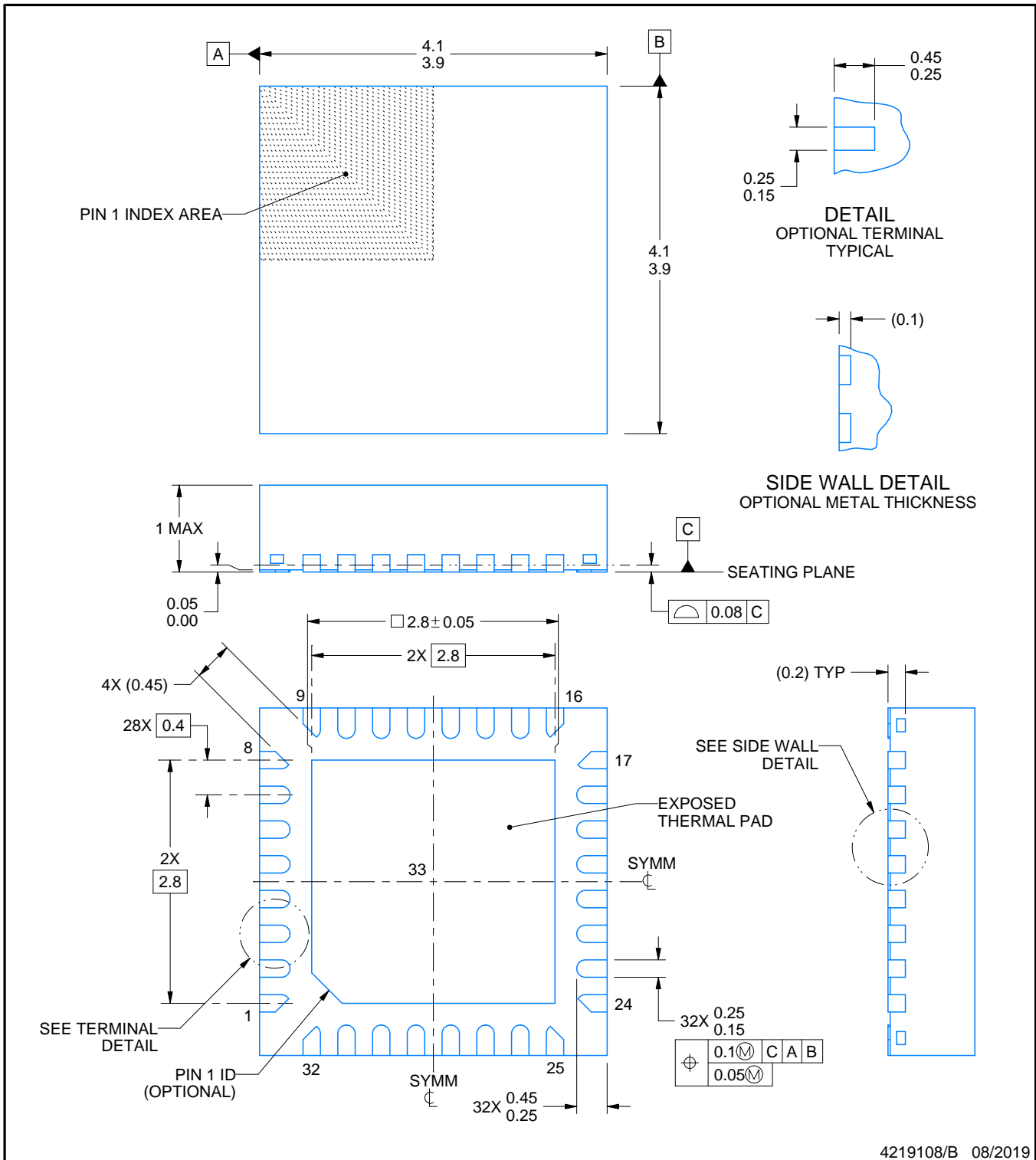
# RSM0032B



# PACKAGE OUTLINE

## VQFN - 1 mm max height

PLASTIC QUAD FLATPACK - NO LEAD



### NOTES:

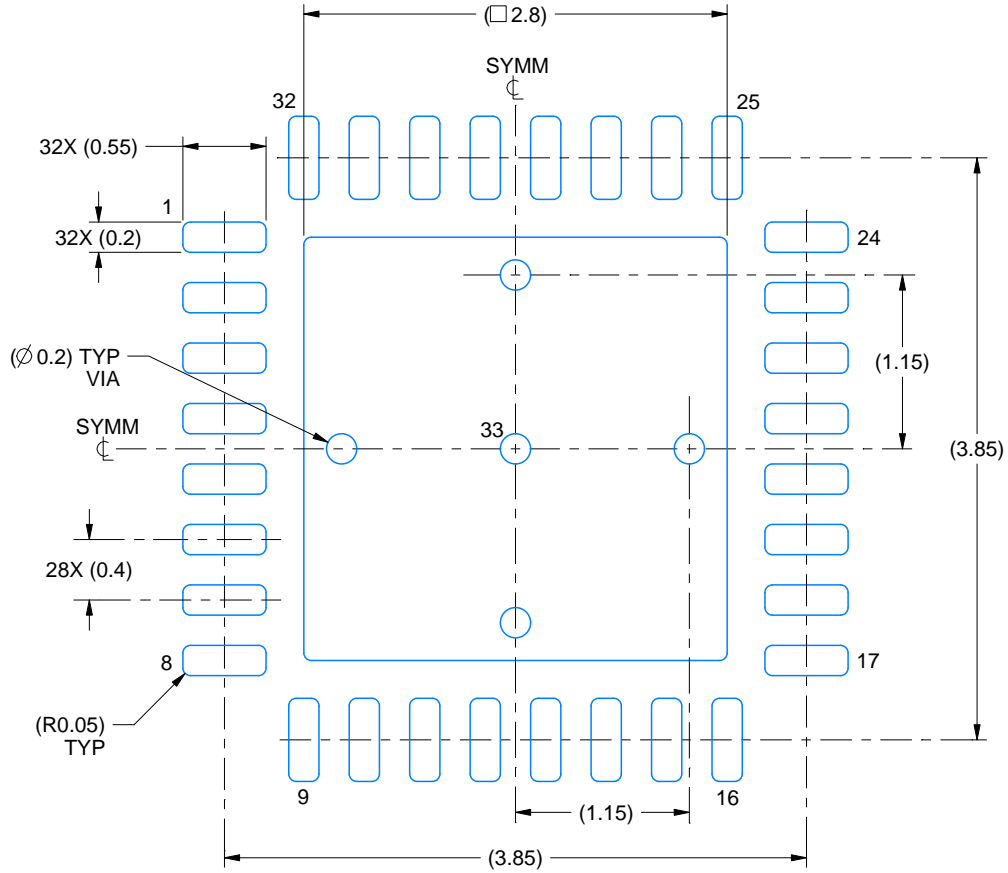
1. All linear dimensions are in millimeters. Any dimensions in parenthesis are for reference only. Dimensioning and tolerancing per ASME Y14.5M.
2. This drawing is subject to change without notice.
3. The package thermal pad must be soldered to the printed circuit board for thermal and mechanical performance.

# EXAMPLE BOARD LAYOUT

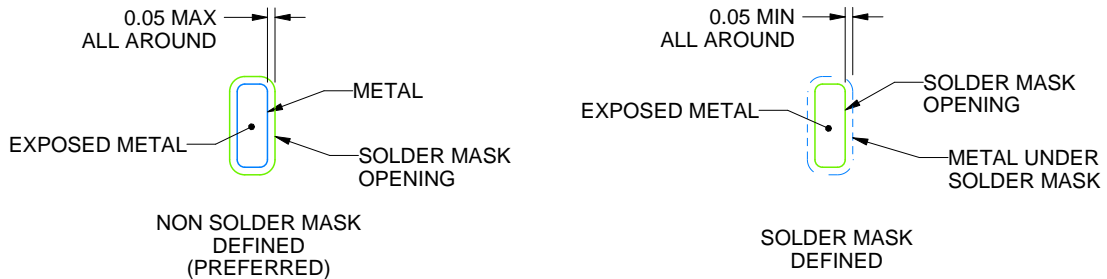
RSM0032B

VQFN - 1 mm max height

PLASTIC QUAD FLATPACK - NO LEAD



LAND PATTERN EXAMPLE  
EXPOSED METAL SHOWN  
SCALE:20X



SOLDER MASK DETAILS

4219108/B 08/2019

NOTES: (continued)

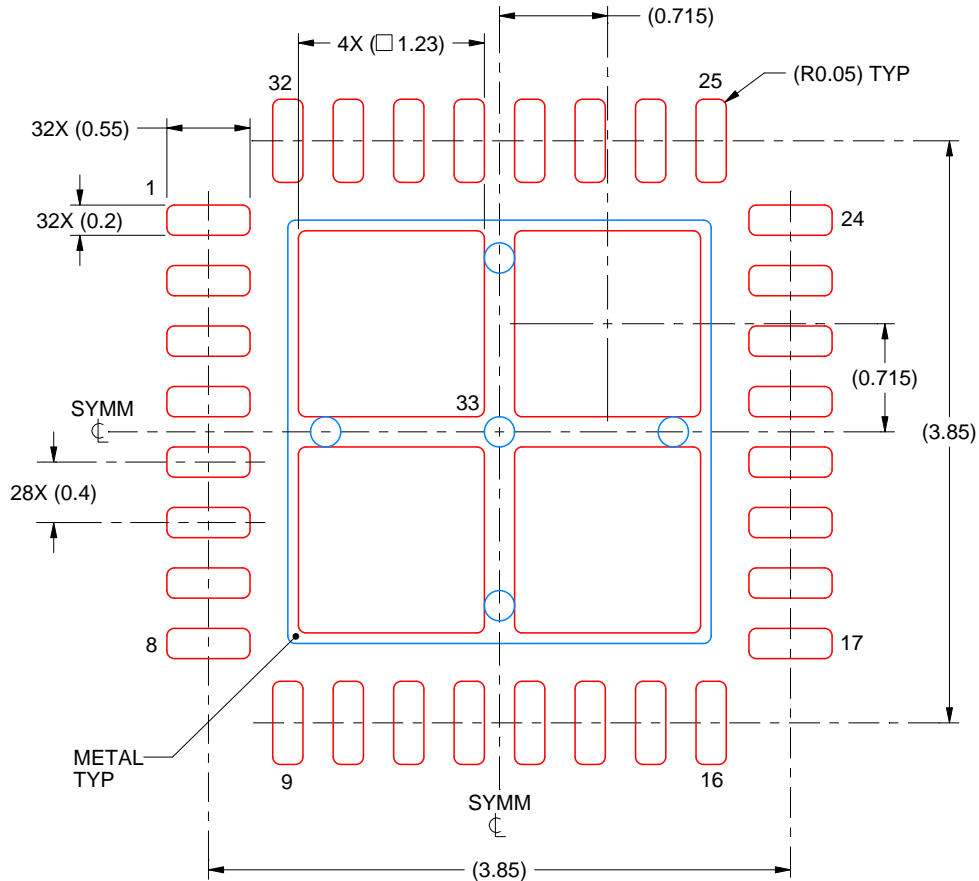
4. This package is designed to be soldered to a thermal pad on the board. For more information, see Texas Instruments literature number SLUA271 ([www.ti.com/lit/slue271](http://www.ti.com/lit/slue271)).
5. Vias are optional depending on application, refer to device data sheet. If any vias are implemented, refer to their locations shown on this view. It is recommended that vias under paste be filled, plugged or tented.

# EXAMPLE STENCIL DESIGN

RSM0032B

VQFN - 1 mm max height

PLASTIC QUAD FLATPACK - NO LEAD



**SOLDER PASTE EXAMPLE**  
BASED ON 0.1 mm THICK STENCIL

EXPOSED PAD 33:  
77% PRINTED SOLDER COVERAGE BY AREA UNDER PACKAGE  
SCALE:20X

4219108/B 08/2019

NOTES: (continued)

6. Laser cutting apertures with trapezoidal walls and rounded corners may offer better paste release. IPC-7525 may have alternate design recommendations.

## IMPORTANT NOTICE AND DISCLAIMER

TI PROVIDES TECHNICAL AND RELIABILITY DATA (INCLUDING DATA SHEETS), DESIGN RESOURCES (INCLUDING REFERENCE DESIGNS), APPLICATION OR OTHER DESIGN ADVICE, WEB TOOLS, SAFETY INFORMATION, AND OTHER RESOURCES "AS IS" AND WITH ALL FAULTS, AND DISCLAIMS ALL WARRANTIES, EXPRESS AND IMPLIED, INCLUDING WITHOUT LIMITATION ANY IMPLIED WARRANTIES OF MERCHANTABILITY, FITNESS FOR A PARTICULAR PURPOSE OR NON-INFRINGEMENT OF THIRD PARTY INTELLECTUAL PROPERTY RIGHTS.

These resources are intended for skilled developers designing with TI products. You are solely responsible for (1) selecting the appropriate TI products for your application, (2) designing, validating and testing your application, and (3) ensuring your application meets applicable standards, and any other safety, security, regulatory or other requirements.

These resources are subject to change without notice. TI grants you permission to use these resources only for development of an application that uses the TI products described in the resource. Other reproduction and display of these resources is prohibited. No license is granted to any other TI intellectual property right or to any third party intellectual property right. TI disclaims responsibility for, and you will fully indemnify TI and its representatives against, any claims, damages, costs, losses, and liabilities arising out of your use of these resources.

TI's products are provided subject to [TI's Terms of Sale](#) or other applicable terms available either on [ti.com](http://ti.com) or provided in conjunction with such TI products. TI's provision of these resources does not expand or otherwise alter TI's applicable warranties or warranty disclaimers for TI products.

TI objects to and rejects any additional or different terms you may have proposed.

Mailing Address: Texas Instruments, Post Office Box 655303, Dallas, Texas 75265  
Copyright © 2022, Texas Instruments Incorporated