

Würth Elektronik eiSos GmbH &amp; Co. KG

EMC &amp; Inductive Solutions

Max-Eyth-Straße 1 · 74638 Waldenburg · Germany

Tel. +49 (0) 79 42 945-0 · Fax +49 (0) 79 42 945-400

eiSos@we-online.de · www.we-online.de



## Product / Process Change Notification (PCN)

- Major change  
 Minor change

**PCN #:** PCN\_FeSTAR-RING\_20200501

**Affected Series:** WE-STAR-RING;  
742715x; 742715xS

**PCN Date:** January 31, 2020

**Effective Date:** May 01, 2020

### Change Category:

- Equipment / Location  
 General Data  
 Material  
 Process  
 Product Design  
 Shipping / Packaging  
 Supplier  
 Software

**Contact:** Product Management

**Phone:** +49 (0) 7942 - 945 5001

**Fax:** +49 (0) 7942 - 945 5179

**E-Mail:** pcn.eisos@we-online.com

### Data Sheet Change:

Yes  No

### Attachment:

Yes  No

### DESCRIPTION AND PURPOSE OF CHANGE:

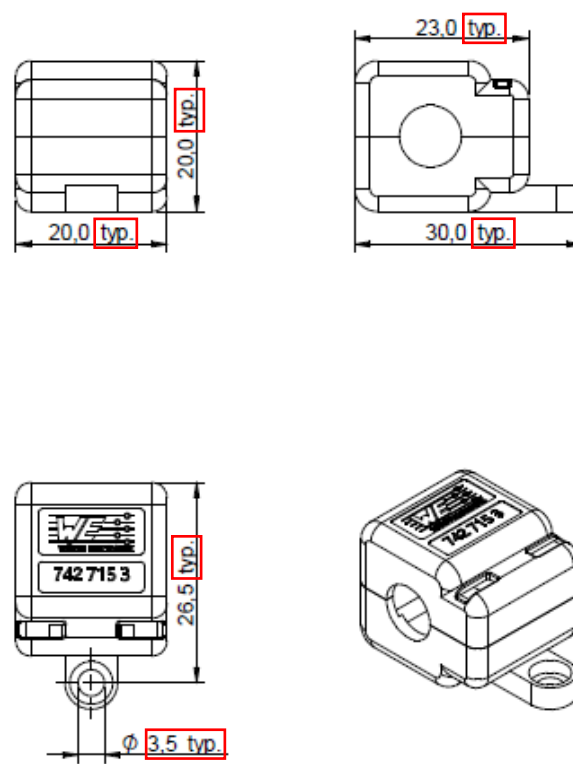
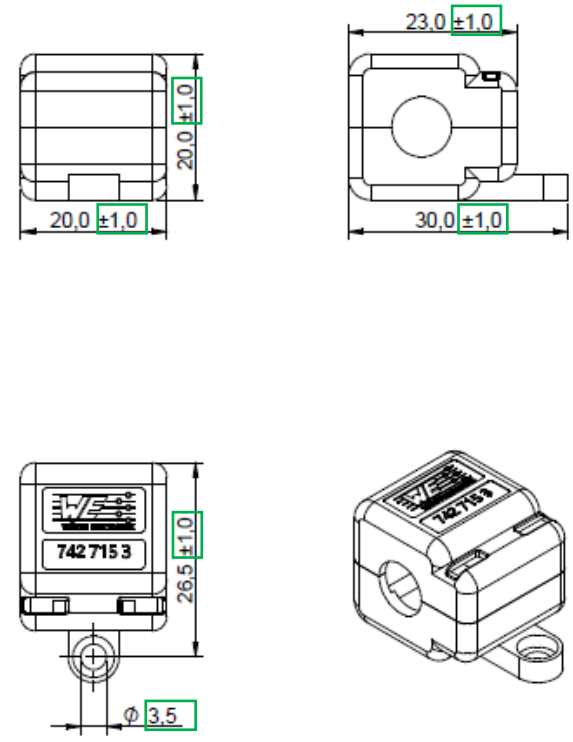
As a datasheet information amendment and correction, Würth Elektronik will change the tolerance type from "typ." to "±" tolerances and the General Tolerances Standard for not specified Dimensions.

Additional one dimension in the datasheet of part numbers 7427151 and 7427151S will be corrected.

This is a Datasheet correction and amendment only. There will be no change in form, fit, function, quality or reliability of the product.

**DETAIL OF CHANGE:**

- 1. Change:** Tolerance type from "typ." to "±"
- Validity:** 742715x; 742715xS

BEFORE CHANGE	AFTER CHANGE
	

- 2. Change:** General Tolerance Standard from DIN ISO 2768-1m to DIN ISO 2768-1c
- Validity:** 742715x; 742715xS

BEFORE CHANGE	AFTER CHANGE																
<table border="1"> <tr> <td>CREATED KaS</td> <td>CHECKED NFI</td> <td>GENERAL TOLERANCE DIN ISO 2768-1m</td> <td>PROJECTION METHOD</td> </tr> <tr> <td colspan="2">DESCRIPTION <b>WE-STAR-RING Snap Ferrite with safety key technology</b></td> <td colspan="2">ORDER CODE <b>7427153</b></td> </tr> </table>	CREATED KaS	CHECKED NFI	GENERAL TOLERANCE DIN ISO 2768-1m	PROJECTION METHOD	DESCRIPTION <b>WE-STAR-RING Snap Ferrite with safety key technology</b>		ORDER CODE <b>7427153</b>		<table border="1"> <tr> <td>CREATED KaS</td> <td>CHECKED NFI</td> <td>GENERAL TOLERANCE DIN ISO 2768-1C</td> <td>PROJECTION METHOD</td> </tr> <tr> <td colspan="2">DESCRIPTION <b>WE-STAR-RING Snap Ferrite with safety key technology</b></td> <td colspan="2">ORDER CODE <b>7427153</b></td> </tr> </table>	CREATED KaS	CHECKED NFI	GENERAL TOLERANCE DIN ISO 2768-1C	PROJECTION METHOD	DESCRIPTION <b>WE-STAR-RING Snap Ferrite with safety key technology</b>		ORDER CODE <b>7427153</b>	
CREATED KaS	CHECKED NFI	GENERAL TOLERANCE DIN ISO 2768-1m	PROJECTION METHOD														
DESCRIPTION <b>WE-STAR-RING Snap Ferrite with safety key technology</b>		ORDER CODE <b>7427153</b>															
CREATED KaS	CHECKED NFI	GENERAL TOLERANCE DIN ISO 2768-1C	PROJECTION METHOD														
DESCRIPTION <b>WE-STAR-RING Snap Ferrite with safety key technology</b>		ORDER CODE <b>7427153</b>															

Würth Elektronik eiSos GmbH & Co. KG

EMC & Inductive Solutions

Max-Eyth-Straße 1 · 74638 Waldenburg · Germany

Tel. +49(0)79 42 945-0 · Fax +49(0)79 42 945-400

eiSos@we-online.de · www.we-online.de



- 3. Change:** Correcting the Dimension of Height from "30,0 mm" to "29,0 mm"  
**Validity:** only for 7427151; 7427151S

BEFORE CHANGE	AFTER CHANGE

**RELIABILITY / QUALIFICATION SUMMARY:**

There will be no change of the product, therefore no additional reliability or qualification testing will be performed.