

April 29th, 2019

## Product Change Notification

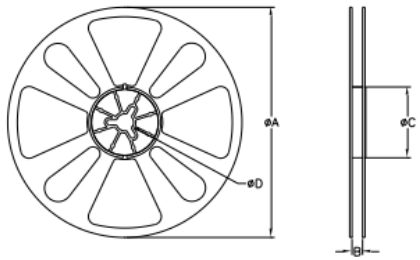
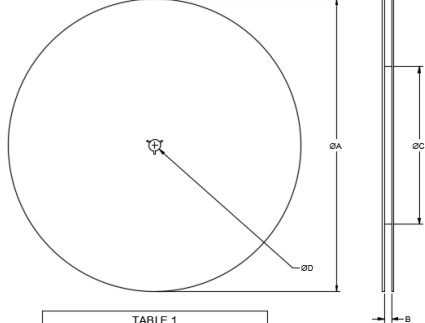
TTM P/N: See below  
Customer: All  
PCN #

Qty Affected: All  
Customer PO: All

### Description of Change:

TTM would like to inform our customers of a change in the reel packaging for the Xingers listed below. We are increasing the reel MOQ to address high demand for the following part numbers, and as a result the reel and bag size will change.

Part Numbers
C2327J5003AHF
C3337J5003AHF
BD0826J50200AHF

	Was	Now																								
<b>MOQ</b>	4,000	10,000																								
<b>Reel Size</b>	177.8mm diameter with 50.8 hub	330mm diameter with 177.8mm hub																								
<b>Diagram</b>	 <table border="1"> <caption>TABLE 1</caption> <thead> <tr> <th>QUANTITY/REEL</th> <th colspan="2">REEL DIMENSIONS mm</th> </tr> </thead> <tbody> <tr> <td rowspan="4">4000</td> <td>øA</td> <td>177.80</td> </tr> <tr> <td>B</td> <td>8.00</td> </tr> <tr> <td>øC</td> <td>50.80</td> </tr> <tr> <td>øD</td> <td>13.00</td> </tr> </tbody> </table>	QUANTITY/REEL	REEL DIMENSIONS mm		4000	øA	177.80	B	8.00	øC	50.80	øD	13.00	 <table border="1"> <caption>TABLE 1</caption> <thead> <tr> <th>QUANTITY/REEL</th> <th colspan="2">REEL DIMENSIONS (inches [mm])</th> </tr> </thead> <tbody> <tr> <td rowspan="4">10000</td> <td>øA</td> <td>13.0 [330.0]</td> </tr> <tr> <td>B</td> <td>.315 [8.0]</td> </tr> <tr> <td>øC</td> <td>7.0 [177.8]</td> </tr> <tr> <td>øD</td> <td>.512 [13.0]</td> </tr> </tbody> </table>	QUANTITY/REEL	REEL DIMENSIONS (inches [mm])		10000	øA	13.0 [330.0]	B	.315 [8.0]	øC	7.0 [177.8]	øD	.512 [13.0]
QUANTITY/REEL	REEL DIMENSIONS mm																									
4000	øA	177.80																								
	B	8.00																								
	øC	50.80																								
	øD	13.00																								
QUANTITY/REEL	REEL DIMENSIONS (inches [mm])																									
10000	øA	13.0 [330.0]																								
	B	.315 [8.0]																								
	øC	7.0 [177.8]																								
	øD	.512 [13.0]																								

### Change Timeline:

Parts with new packaging will begin shipping starting May 2019  
Samples are available for review if needed.

If you have any questions or need further information, please call me at 1-315-233-5510 or send e-mail to [casey.hennigan@ttm.com](mailto:casey.hennigan@ttm.com).

Sincerely,

Casey Hennigan  
Project Engineer, Wireless Business Unit  
TTM Technologies, Inc.