

W83772G
Nuvoton
H/W Monitoring IC

Date: 07/01/2008 Revision: 1.3

W83772G Data Sheet Revision History

	PAGES	DATES	VERSION	VERSION ON WEB	MAIN CONTENTS
1	n.a.	07/26/05	0.1	NA	For Nuvoton internal use only
2		08/10/05	0.2		For Nuvoton internal use only
3		08/25/05	0.31		For Nuvoton internal use only
4		10/31/05	0.32		1. Change part number from W83L772G to W83772G. 2. Modify the top marking
5		03/01/06	0.5		Preliminary datasheet.
6		04/27/06	1.0		1. Update Chap 3. 2. Update Chap7.6 and Chap 7.7 description. 3. Add Chap 7.3 4. Add Chap 8: PCB Layout Guide 5. Update Chap 9 6. Update Chap 10.2: DC Characteristic Table for SST, ADDx and D+ pin 7. Add Chap 11: Order Information
7		07/20/06	1.1		1. Add Chap 9.1~9.5 "format of command". 2. Modify Chap 10.3 AC Characteristics 3. Modify the Top Marking description
8		10/05/06	1.2		1. Fix typo and format. 2. Update top marking diagram from 772W to 772G
9		07/01/08	1.3		1. Change from Winbond to Nuvoton 2. Fix typo

Table of Content-

1.	GENERAL DESCRIPTION	1
2.	FEATURES	1
2.1	Monitoring Items - Temperature	1
2.2	General	1
2.3	Package	1
3.	KEY SPECIFICATIONS	1
4.	BLOCK DIAGRAM	2
5.	PIN CONFIGURATION	2
6.	PIN DESCRIPTION.....	3
7.	FUNCTIONAL DESCRIPTION.....	3
7.1	General Description	3
7.2	Access Interface	3
7.3	Power-On Reset.....	4
7.4	Measured Temperature Data Format	4
7.5	Sensor Error Conditions.....	5
7.6	Conversion Time	5
7.7	Address Selection	5
8.	PCB LAYOUT GUIDE	6
9.	COMMAND SUMMARY	7
9.1	Format of PING()	7
9.2	Format of ResetDevice().....	8
9.3	Format of GetIntTemp()	8
9.4	Format of GetExtTemp().....	9
9.5	Format of GetAllTemp()	10
10.	ELECTRICAL CHARACTERISTIC	11
10.1	Absolute Maximum Ratings.....	11
10.2	DC Characteristics	11
10.3	AC Characteristics.....	12
11.	ORDER INSTRUCTION.....	13
12.	TOP MARKING SPECIFICATION	13
13.	PACKAGE SPECIFICATION	14

1. GENERAL DESCRIPTION

W83772G is a 2-channel temperature sensor with Simple Serial Transport (SST) interface. W83772G has an on-chip thermal sensor and a remote temperature sensor. The remote temperature sensor input could be connected to thermal diode or transistor such as 2N3904. A 10-bit ADC (Analog-to-Digital Converter) is built inside W83772G to convert the monitored temperature value with 0.125°C resolution.

W83772G is a high precision, low-power consumption IC supporting 1.5V SST interface. The package type is 8-pin, MSOP (TSSOP), and the operating voltage is 3.3 V \pm 10%.

2. FEATURES

2.1 Monitoring Items - Temperature

- Measure temperature with high accuracy
- One on-chip thermal sensor
- One remote temperature sensor

2.2 General

- 3.3V \pm 10% V_{CC} operation
- 16-bit two's complement data format, 0.125°C resolution
- Two address selection pins
- Support Simple Serial Transport interface

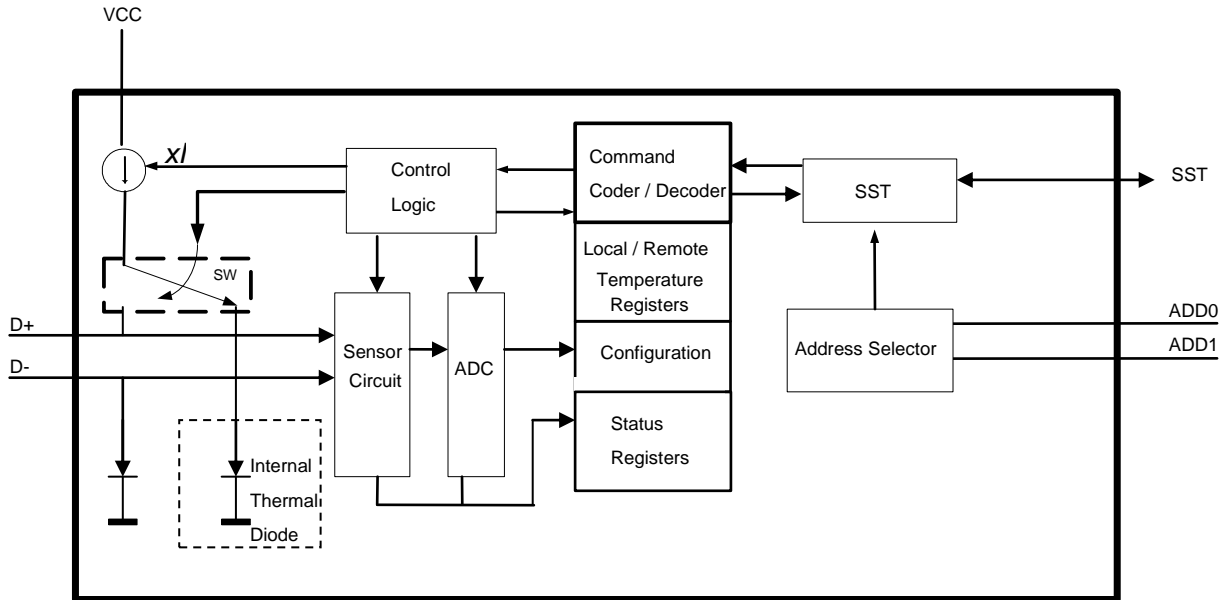
2.3 Package

- 8-pin MSOP (TSSOP)

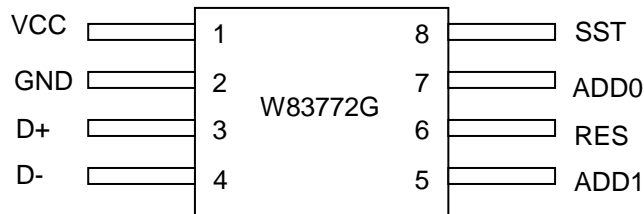
3. KEY SPECIFICATIONS

- On-chip temperature range and accuracy
0°C to 70°C
 \pm 3°C (over entire range)
 \pm 1°C (40°C to 70°C)
- Remote temperature range and accuracy
-30°C to +127.875°C
 \pm 3°C (over entire range)
 \pm 1°C (40°C to 90°C)
- Supply voltage
3.3V \pm 10%
- Operating supply current
5.6 mA typ.
- ADC resolution
10 Bits
- Operating Temperature Range
0°C to 70°C

4. BLOCK DIAGRAM



5. PIN CONFIGURATION



6. PIN DESCRIPTION

PIN NAME	NO	PIN TYPE	DESCRIPTION
VCC	1	POWER	DC Power Supply Voltage Input 3.3V±10%.
GND	2	GROUND	Power Supply Ground
D+	3	AIN	Connect to Thermal Diode Anode
D-	4	AIN	Connect to Thermal Diode Cathode
ADD1	5	IO	For Address select
RES	6		Reserved
ADD0	7	IO	For Address select
SST	8	IO	Simple Serial Transport (SST) Interface

7. FUNCTIONAL DESCRIPTION

7.1 General Description

The W83772G provides one remote temperature sensor input which could be connected to 2N3904 transistor, or CPU/GPU thermal diode, and one local on-chip thermal sensor to detect ambient temperature.

The data format of monitored temperature is 16-bit 2's complement. The system interface is the 1-wire SST access interface.

7.2 Access Interface

The W83772G provides SST interface to read/write internal registers, and the SST address is xxxxxxxb, respectively. Please refer to 7.7 Address Selection.

7.3 Power-On Reset

The power-on reset threshold is 2.7V (typical). When Vcc crosses this threshold, the internal reset signal will be asserted for 4mS. During this time period, W83772G is in the reset state. When the internal reset signal is de-asserted, W83772G is in the operating state.

In the operating state, if Vcc drops below 2.4V and then rises above 2.7V, the internal reset signal will be asserted immediately. Figure 1 illustrates the reset mechanism.

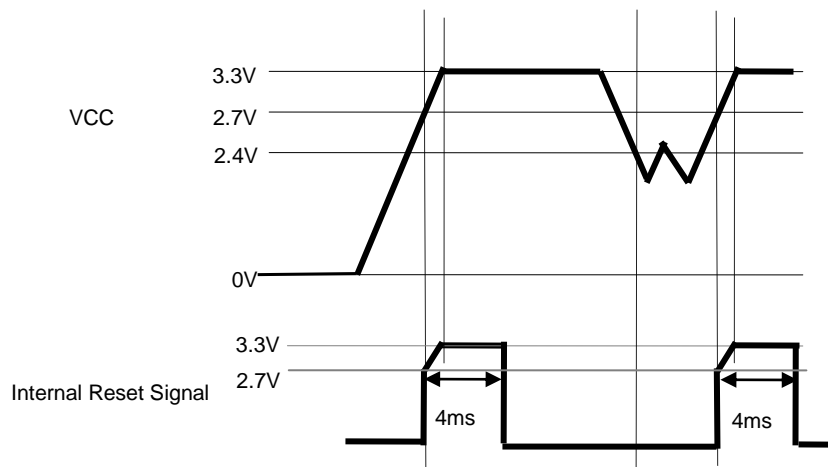


Figure 1.

7.4 Measured Temperature Data Format

The W83772G temperature data format of both remote and local temperature is 16-bit two's complement format.

Table 1 shows some representative temperature data with 16-bit two's complement data format.

TEMPERATURE	16-BIT DIGITAL OUTPUT	
	Integer Value	Fractional Value
+80°C	0001 0100 00	00 0000
+79.875°C	0001 0011 11	11 1000
+1°C	0000 0000 01	00 0000
+0°C	0000 0000 00	00 0000
-1°C	1111 1111 11	00 0000
- 5°C	1111 1110 11	00 0000
	Integer Value	Fractional Value

Table 1. Temperature Data Format

7.5 Sensor Error Conditions

When the external diode is opened or shorted, the W83772G will return 0x8001 in response to either the SST command GetExtTemp() or GetAllTemp() command. It will also return 0x8002/0x8003 when detecting temperature below -128°C /above +128°C.

7.6 Conversion Time

W83772G provides 250mS conversion time for monitoring all temperature readings. The conversion time is related to the internal self-generated clock. The internal clock frequency is dependent on the temperature. There is 10% frequency deviation in the operating temperature range of 0°C and 70°C.

7.7 Address Selection

W83772G has two address pins. These pins may be either tied to Vcc, ground or left open. After the internal reset ends, pin ADD0/ADD1 will start to drive and sink current to detect the pin status – HIGH, LOW or FLOATING and then decide the SST address of W83772G. The address will be retained as long as the VCC of W83772G is maintained. The recommended pull-up or pull-down resistor value is 330Ω. (Please refer to the DC specification for the source and sink current.) The pull-up power plane must be the same as the VCC power of W83772G.

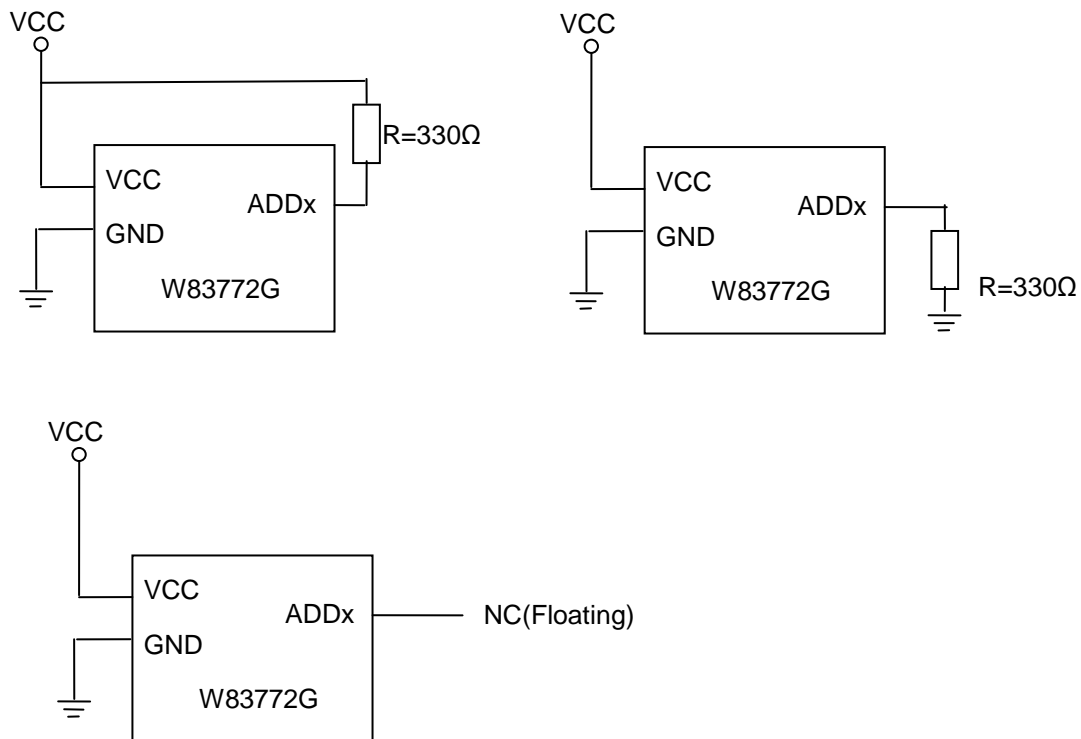


Figure 2.

The address mapping is shown in the following table.

ADD0	ADD1	ADDRESS
Ground	Ground	0x48h
Floating	Ground	0x49h
Vcc	Ground	0x4ah
Ground	Floating	0x4bh
Floating	Floating	0x4ch
Vcc	Floating	0x4dh
Ground	Vcc	0x4eh
Floating	Vcc	0x4fh
Vcc	Vcc	0x50h

8. PCB LAYOUT GUIDE

Pin 3 & Pin 4 are typically connected to a thermal diode. Here are some recommendations for optimal operation:

- a) Place remote diode as close as possible to W83772G
- b) Route D+ and D- lines away from clock generators, memory buses, or any high frequency buses
- c) Place shield traces, which are connecting to board ground, flanking D+/D- to shield the noise
- d) It is recommended that the bypass capacitor with 2200pF should be placed close to W83772G to filter the noise from motherboard digital signals
- e) Place a 0.1uF bypass capacitor close to the VCC pin

The connection diagram is shown as the following

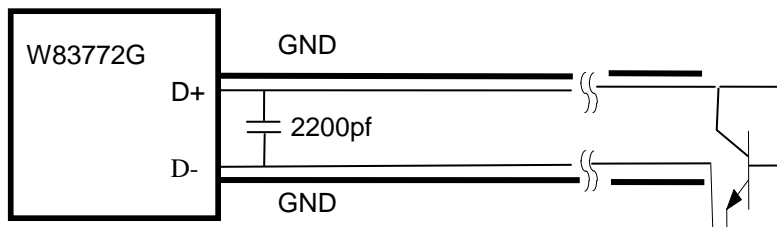


Figure 3.

9. COMMAND SUMMARY

The following table shows the supported SST commands.

COMMAND	DESCRIPTION
Ping()	Return a non-zero FCS over the header
ResetDevice()	Perform a functional reset similar to power-on reset
GetIntTemp()	Return the temperature of W83772G internal thermal sensor
GetExtTemp()	Return the temperature of W83772G external thermal diode
GetAllTemps()	Return a 4-byte block of data (internal plus external temperatures)

The following sections will show the format of each command. For more terminology and information, please refer to Simple Serial Transport Specification.

9.1 Format of PING()

Target Address	Write Length (0x00)	Read Length (0x00)	FCS
----------------	------------------------	-----------------------	-----

9.2 Format of ResetDevice()

Target Address	Write Length (0x01)	Read Length (0x00)	Reset Device Command (0xf6)	FCS
----------------	------------------------	-----------------------	--------------------------------	-----

9.3 Format of GetIntTemp()

Target Address	Write Length (0x01)	Read Length (0x02)	GetIntTemp Command (0x00)
----------------	------------------------	-----------------------	------------------------------

...

FCS	LSB Data	MSB Data	FCS
-----	----------	----------	-----

9.4 Format of GetExtTemp()

Target Address	Write Length (0x01)	Read Length (0x02)	GetExtTemp Command (0x01)
----------------	---------------------	--------------------	---------------------------

...

FCS	LSB Data	MSB Data	FCS
-----	----------	----------	-----

9.5 Format of GetAllTemp()

Target Address	Write Length (0x01)	Read Length (0x04)	GetAllTemp Command (0x00)
----------------	---------------------	--------------------	---------------------------

...

FCS	Int. LSB Data	Int. MSB Data
-----	---------------	---------------

...

Ext. LSB Data	Ext. MSB Data	FCS
---------------	---------------	-----

10. ELECTRICAL CHARACTERISTIC

10.1 Absolute Maximum Ratings

PARAMETER	RATING	UNIT
Power Supply Voltage	3.63	V
Operating Temperature	70	° C
Storage Temperature	-30 to +127.875	° C

Note: Exposure to conditions beyond those listed under Absolute Maximum Ratings may adversely affect the life and reliability of the device.

10.2 DC Characteristics

($T_a = 0^\circ\text{C}$ to 70°C , $V_{cc} = 3.3\text{V} \pm 10\%$, $\text{GND} = 0\text{V}$)

PARAMETER	SYM.	MIN.	TYP.	MAX.	UNIT	CONDITIONS
SST - This set of DC electrical specifications is used with devices normally operating from a +1.5V interface supply voltage. The following voltage and current requirements refer to the SST electrical model. For the purpose of bus capacitance, the electrical model is a two-node circuit. One node is counted for each client and one node for the system host. V_{SSTIO} is the internally generated +1.5V supply voltage for the SST interface.						
IO pad power supply	V_{SSTIO}	1.40	1.50	1.60		
Input Voltage range	V_{in}			$V_{\text{SSTIO}} + 0.3$		
Input Low Threshold Voltage	V_{t-}	0.40		0.65	V	$V_{\text{SSTIO}} = 1.4\text{V (MIN)}$ $V_{\text{SSTIO}} = 1.6\text{V (MAX)}$
Input High Threshold Voltage	V_{t+}	0.8		1.10	V	$V_{\text{SSTIO}} = 1.4\text{V (MIN)}$ $V_{\text{SSTIO}} = 1.6\text{V (MAX)}$
Hysteresis	V_{TH}	0.15			V	
Output source current	I_{source}	-6.0			mA	$V_{\text{oh}}=1.1\text{V}$, $V_{\text{SSTIO}} = 1.4\text{V}$
Input High Leakage	I_{LIH}			+10	μA	$V_{\text{SST}} = V_{\text{SSTIO}}$
Input Low Leakage	I_{LIL}			-10	μA	$V_{\text{SST}} = 0\text{V}$

PARAMETER	SYM.	MIN.	TYP.	MAX.	UNIT	CONDITIONS
ADDx						
Power Supply Voltage	Vcc	2.97	3.30	3.63	V	
Input Voltage range	Vin	-0.3		Vcc+0.3	V	
Input High Voltage	Vth	1.95			V	
Input Low Voltage				1.35	V	
Output source current	Isource	-0.7		-3	mA	Voh=2.4V, Vcc=2.97V
Output sink current	Isink	0.7		2	mA	Vol=0.4V, Vcc=2.97V

PARAMETER	SYM.	MIN.	TYP.	MAX.	UNIT	CONDITIONS
D+						
Output Current I1	I1		15		uA	Vcc = 3.3 V
Output Current I2	I2		165		uA	Vcc = 3.3 V

10.3 AC Characteristics

Bus Rate: 1MHz (typical)

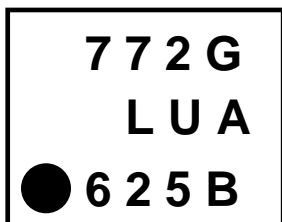
Refer to the specification of Simple Serial Transport (SST) specification.

11. ORDER INSTRUCTION

PART NO.	PACKAGE	REMARKS
W83772G	MSOP8	Pb-free Package

12. TOP MARKING SPECIFICATION

The top marking of W83772G



1st line: type number: 772G

2nd line: assembly house ID(L) + internal code(UA)

L: Lingsen

UA: internal code

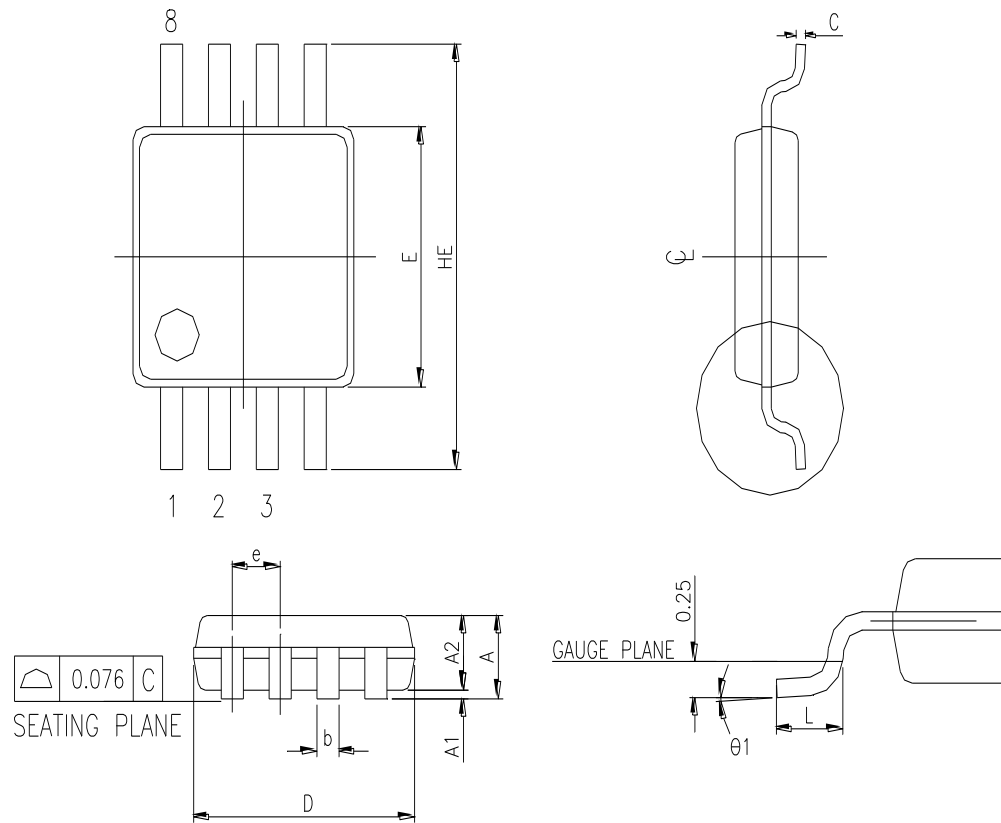
3rd line: Tracking code 626 B

625: packages made in '06, week 25

B: IC revision; A means version A, B means version B

13. PACKAGE SPECIFICATION

MSOP 8L 3mm X 3mm



CONTROLLING DIMENSION : MILLIMETERS

SYMBOL	DIMENSION IN MM			DIMENSION IN INCH		
	MIN.	NOM.	MAX.	MIN.	NOM.	MAX.
A	---	---	1.10	---	---	0.043
A1	0.05	---	0.15	0.002	---	0.006
A2	0.81	0.86	0.91	0.032	0.034	0.036
c	0.13	---	0.23	0.005	---	0.009
b	0.25	---	0.40	0.0098	---	0.0157
D	2.90	3.00	3.10	0.114	0.118	0.122
E	2.90	3.00	3.10	0.114	0.118	0.122
HE	4.90 BSC			0.193 BSC		
L	0.445	0.55	0.648	0.0175	0.0217	0.0255
theta1	0°		6°	0°		6°
e	0.65 BSC			0.026 BSC		

Important Notice

Nuvoton Products are neither intended nor warranted for usage in systems or equipment, any malfunction or failure of which may cause loss of human life, bodily injury or severe property damage. Such applications are deemed, "Insecure Usage".

Insecure usage includes, but is not limited to: equipment for surgical implementation, atomic energy control instruments, airplane or spaceship instruments, the control or operation of dynamic, brake or safety systems designed for vehicular use, traffic signal instruments, all types of safety devices, and other applications intended to support or sustain life.

All Insecure Usage shall be made at customer's risk, and in the event that third parties lay claims to Nuvoton as a result of customer's Insecure Usage, customer shall indemnify the damages and liabilities thus incurred by Nuvoton.