

# ADS131E08S Eight-Channel, 24-Bit, Analog Front-End With Fast Power-Up Time

## 1 Features

- Power-up time: 3 ms
- Eight differential simultaneous sampling inputs
- High performance:
  - Dynamic range at 1 kSPS: 118 dB
  - Crosstalk: –125 dB
  - THD: –100 dB at 50 Hz and 60 Hz
- Low power consumption: 2 mW/channel
- Data rates: 1, 2, 4, 8, 16, 32, and 64 kSPS
- Gain options: 1, 2, 4, 8, and 12
- Internal voltage reference: 8 ppm/°C Drift
- Supply range:
  - Analog:
    - 2.7 V to 5.25 V (unipolar)
    - ±2.5 V (bipolar)
  - Digital: 1.7 V to 3.6 V
- Fault detection and device self-testing capability
- SPI™-compatible data interface and four GPIOs
- Package: 64-pin TQFP
- Operating temperature range: –40°C to +105°C

## 2 Applications

- Industrial power applications:
  - [Circuit breakers, protection relays, power monitoring](#)
- [Data acquisition systems](#)

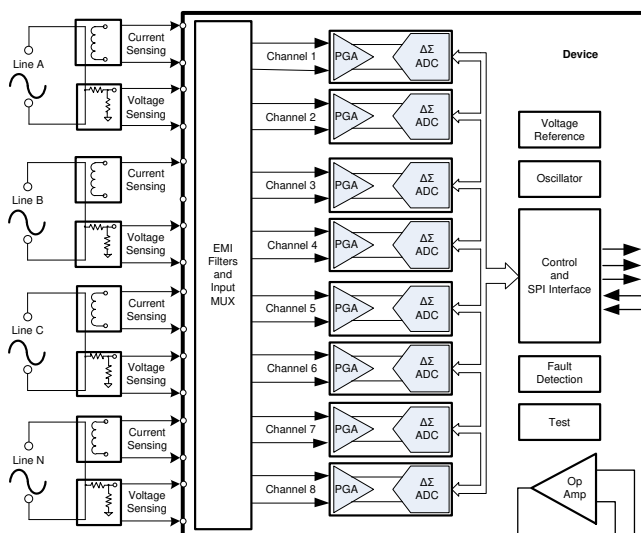
## 3 Description

The ADS131E08S is a multichannel, simultaneous sampling, 24-bit, delta-sigma ( $\Delta\Sigma$ ), analog-to-digital converter (ADC) with built-in programmable gain amplifiers (PGAs), an internal reference, and an internal oscillator. The ADC wide dynamic range, scalable data rates, and internal fault detect monitors make the ADS131E08S very attractive in industrial power monitoring, control, and protection applications. Fast power-up time allows data to be available within 3 ms of power being applied to the device for line-powered power applications. True high-impedance inputs enable the ADS131E08S to directly interface with a resistor-divider network or a voltage transformer to measure line voltage, or a current transformer or Rogowski coil to measure line current. With high integration levels and exceptional performance, the ADS131E08S enables the creation of scalable industrial power systems at a significantly reduced size, power, and overall cost.

The ADS131E08S has an individual input multiplexer per channel that can be independently connected to the internally-generated signals for test, temperature, and fault detection. Fault detection can be implemented internal to the device, using the integrated comparators with digital-to-analog converter (DAC)-controlled trigger levels. The ADS131E08S can operate at data rates as high as 64 kSPS.

The complete analog front-end (AFE) solution is available in a 64-pin TQFP package and is specified over the industrial temperature range of –40°C to +105°C.

### Power Application: Three-Phase Voltage and Current Connection



### Device Information<sup>(1)</sup>

| PART NUMBER | PACKAGE   | BODY SIZE (NOM)     |
|-------------|-----------|---------------------|
| ADS131E08S  | TQFP (64) | 10.00 mm × 10.00 mm |

(1) For all available packages, see the orderable addendum at the end of the data sheet.



## Table of Contents

|  |    |  |    |
|--|----|--|----|
| <b>1 Features</b> .....                          | 1  | 9.5 Programming.....   | 28 |
| <b>2 Applications</b> .....                      | 1  | 9.6 Register Map.....  | 37 |
| <b>3 Description</b> .....                       | 1  | <b>10 Application and Implementation</b> .....                   | 47 |
| <b>4 Revision History</b> .....                  | 2  | 10.1 Application Information.....                                | 47 |
| <b>5 Device Comparison</b> .....                 | 4  | 10.2 Typical Application .....                                   | 54 |
| <b>6 Pin Configuration and Functions</b> .....   | 4  | 10.3 Initialization Set Up .....                                 | 58 |
| <b>7 Specifications</b> .....                    | 6  | <b>11 Power Supply Recommendations</b> .....                     | 59 |
| 7.1 Absolute Maximum Ratings .....               | 6  | 11.1 Power-Up Timing .....                                       | 59 |
| 7.2 ESD Ratings.....                             | 6  | 11.2 Recommended External Capacitor Values.....                  | 60 |
| 7.3 Recommended Operating Conditions.....        | 7  | 11.3 Device Connections for Unipolar Power Supplies              | 60 |
| 7.4 Thermal Information .....                    | 7  | 11.4 Device Connections for Bipolar Power Supplies ..            | 61 |
| 7.5 Electrical Characteristics.....              | 8  | <b>12 Layout</b> .....   | 62 |
| 7.6 Timing Requirements .....                    | 10 | 12.1 Layout Guidelines .....                                     | 62 |
| 7.7 Switching Characteristics .....              | 10 | 12.2 Layout Example .....  | 63 |
| 7.8 Typical Characteristics.....                 | 11 | <b>13 Device and Documentation Support</b> .....                 | 64 |
| <b>8 Parameter Measurement Information</b> ..... | 14 | 13.1 Documentation Support .....                                 | 64 |
| 8.1 Noise Measurements .....                     | 14 | 13.2 Support Resources .....                                     | 64 |
| <b>9 Detailed Description</b> .....              | 15 | 13.3 Trademarks .....  | 64 |
| 9.1 Overview .....                               | 15 | 13.4 Electrostatic Discharge Caution.....                        | 64 |
| 9.2 Functional Block Diagram .....               | 16 | 13.5 Glossary .....  | 64 |
| 9.3 Feature Description .....                    | 17 | <b>14 Mechanical, Packaging, and Orderable Information</b> ..... | 64 |
| 9.4 Device Functional Modes.....                 | 26 |  |    |

## 4 Revision History

| Changes from Revision A (April 2018) to Revision B  | Page |
|---|------|
| • Changed – to + in $V_{CM}$ parameter conditions of <i>Recommended Operating Conditions</i> table.....   | 7    |
| • Changed <i>falling edge</i> to <i>rising edge</i> in $t_{DISCK2ST}$ and $t_{DISCK2HT}$ parameter names of <i>Timing Requirements</i> table.....                                   | 10   |
| • Added <i>16-bit or</i> to footnote of <i>Daisy-Chain Interface Timing</i> figure .....  | 10   |
| • Changed <i>effective number of bits</i> to <i>effective resolution</i> and changed <i>ENOB</i> to <i>effective resolution</i> in <i>Noise Measurements</i> section.....           | 14   |
| • Changed <i>EFF RES</i> columns in <i>Input-Referred Noise, 3-V Analog Supply, and 2.4-V Reference and Input-Referred Noise, 5-V Analog Supply, and 4-V Reference</i> tables ..... | 14   |
| • Changed CONFIG1 register reset value from D4h to 94h .....  | 37   |
| • Changed CONFIG3 register reset value from E8h to E0h .....  | 37   |
| • Changed DAISY_IN reset value from 1h to 0h in CONFIG1 register .....  | 39   |

| Changes from Revision A (January 2016) to Revision B  | Page |
|---|------|
| • Changed – to + in $V_{CM}$ parameter conditions of <i>Recommended Operating Conditions</i> table.....   | 7    |
| • Changed <i>falling edge</i> to <i>rising edge</i> in $t_{DISCK2ST}$ and $t_{DISCK2HT}$ parameter names of <i>Timing Requirements</i> table.....                                   | 10   |
| • Added <i>16-bit or</i> to footnote of <i>Daisy-Chain Interface Timing</i> figure .....  | 10   |
| • Changed <i>effective number of bits</i> to <i>effective resolution</i> and changed <i>ENOB</i> to <i>effective resolution</i> in <i>Noise Measurements</i> section.....           | 14   |
| • Changed <i>EFF RES</i> columns in <i>Input-Referred Noise, 3-V Analog Supply, and 2.4-V Reference and Input-Referred Noise, 5-V Analog Supply, and 4-V Reference</i> tables ..... | 14   |
| • Changed CONFIG1 register reset value from D4h to 94h .....  | 37   |
| • Changed CONFIG3 register reset value from E8h to E0h .....  | 37   |
| • Changed DAISY_IN reset value from 1h to 0h in CONFIG1 register .....  | 39   |

---

**Changes from Original (October 2015) to Revision A****Page**

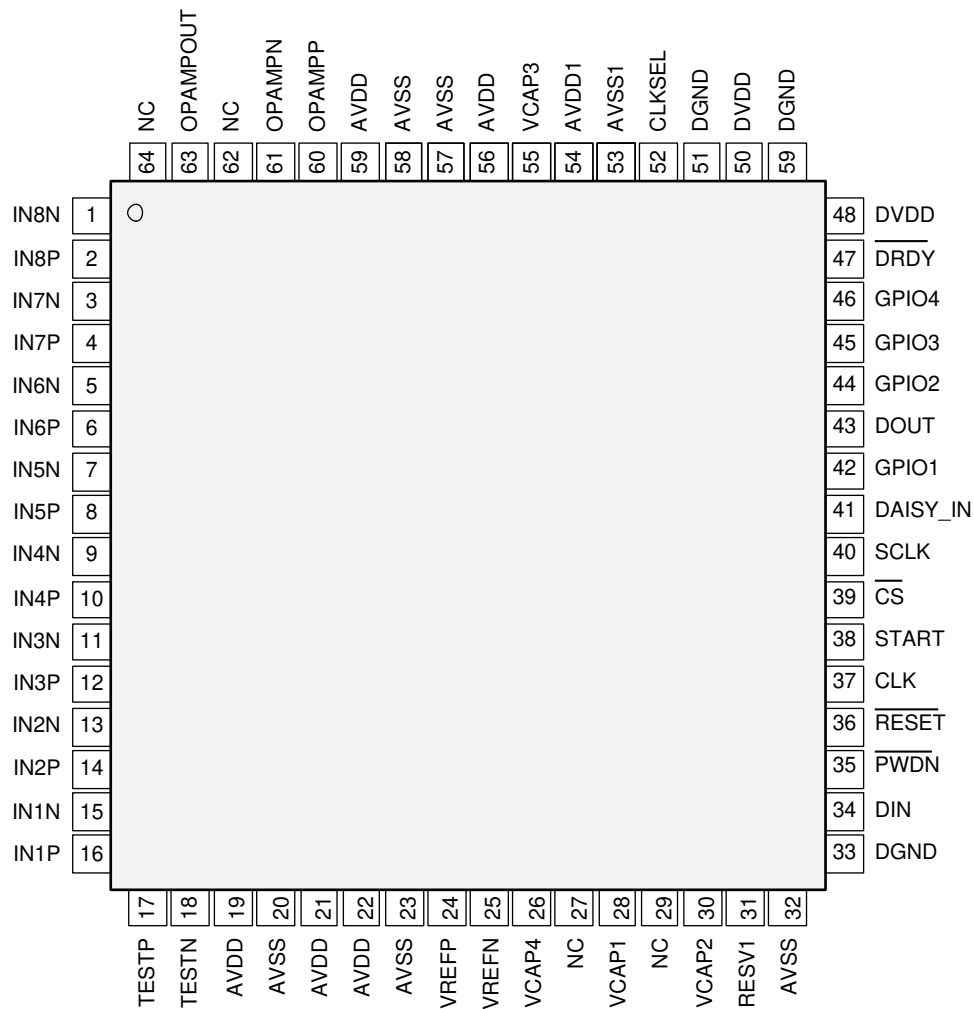
- 
- Released to production ..... 1
-

## 5 Device Comparison

| PRODUCT    | No. OF INPUTS | REFERENCE OPTIONS  | RESOLUTION (Bits) | POWER-UP TIME (ms) |
|------------|---------------|--------------------|-------------------|--------------------|
| ADS130E08  | 8             | Internal, external | 16                | 128                |
| ADS131E04  | 4             | Internal, external | 24                | 128                |
| ADS131E06  | 6             | Internal, external | 24                | 128                |
| ADS131E08  | 8             | Internal, external | 24                | 128                |
| ADS131E08S | 8             | Internal only      | 24                | 3                  |

## 6 Pin Configuration and Functions

PAG Package  
64-Pin TQFP  
Top View



### Pin Functions

| PIN                       |                    | TYPE                 | DESCRIPTION   |
|---------------------------|--------------------|----------------------|---|
| NAME                      | NO.                |                      |   |
| AVDD                      | 19, 21, 22, 56, 59 | Supply               | Analog supply; decouple each AVDD pin to AVSS with a 1- $\mu$ F capacitor                               |
| AVDD1                     | 54                 | Supply               | Charge pump analog supply; decouple AVDD1 to AVSS1 with a 1- $\mu$ F capacitor                          |
| AVSS                      | 20, 23, 32, 57, 58 | Supply               | Analog ground   |
| AVSS1                     | 53                 | Supply               | Charge pump analog ground; decouple AVDD1 to AVSS1 with a 1- $\mu$ F capacitor                          |
| $\overline{\text{CS}}$    | 39                 | Digital input        | Serial peripheral interface (SPI) chip select; active low   |
| CLK                       | 37                 | Digital input        | Master clock input; connect to DGND if unused   |
| CLKSEL                    | 52                 | Digital input        | Master clock select   |
| DAISY_IN                  | 41                 | Digital input        | Daisy-chain input; connect to DGND if unused  |
| DGND                      | 33, 49, 51         | Supply               | Digital ground  |
| DIN                       | 34                 | Digital input        | SPI data input  |
| DOUT                      | 43                 | Digital output       | SPI data output   |
| $\overline{\text{DRDY}}$  | 47                 | Digital output       | Data ready; active low; connect to DGND with a 10-k $\Omega$ resistor if unused                         |
| DVDD                      | 48, 50             | Supply               | Digital power supply; decouple each DVDD pin to DGND with a 1- $\mu$ F capacitor                        |
| GPIO1                     | 42                 | Digital input/output | General-purpose input/output pin 1; connect to DGND with a 10-k $\Omega$ resistor if unused             |
| GPIO2                     | 44                 | Digital input/output | General-purpose input/output pin 2; connect to DGND with a 10-k $\Omega$ resistor if unused             |
| GPIO3                     | 45                 | Digital input/output | General-purpose input/output pin 3; connect to DGND with a 10-k $\Omega$ resistor if unused             |
| GPIO4                     | 46                 | Digital input/output | General-purpose input/output pin 4; connect to DGND with a 10-k $\Omega$ resistor if unused             |
| IN1N <sup>(1)</sup>       | 15                 | Analog input         | Negative analog input 1   |
| IN1P <sup>(1)</sup>       | 16                 | Analog input         | Positive analog input 1   |
| IN2N <sup>(1)</sup>       | 13                 | Analog input         | Negative analog input 2   |
| IN2P <sup>(1)</sup>       | 14                 | Analog input         | Positive analog input 2   |
| IN3N <sup>(1)</sup>       | 11                 | Analog input         | Negative analog input 3   |
| IN3P <sup>(1)</sup>       | 12                 | Analog input         | Positive analog input 3   |
| IN4N <sup>(1)</sup>       | 9                  | Analog input         | Negative analog input 4   |
| IN4P <sup>(1)</sup>       | 10                 | Analog input         | Positive analog input 4   |
| IN5N <sup>(1)</sup>       | 7                  | Analog input         | Negative analog input 5   |
| IN5P <sup>(1)</sup>       | 8                  | Analog input         | Positive analog input 5   |
| IN6N <sup>(1)</sup>       | 5                  | Analog input         | Negative analog input 6   |
| IN6P <sup>(1)</sup>       | 6                  | Analog input         | Positive analog input 6   |
| IN7N <sup>(1)</sup>       | 3                  | Analog input         | Negative analog input 7   |
| IN7P <sup>(1)</sup>       | 4                  | Analog input         | Positive analog input 7   |
| IN8N <sup>(1)</sup>       | 1                  | Analog input         | Negative analog input 8   |
| IN8P <sup>(1)</sup>       | 2                  | Analog input         | Positive analog input 8   |
| NC                        | 27, 29, 62, 64     | —                    | No connection, leave floating; can be connected to AVDD or AVSS with a 10-k $\Omega$ or higher resistor |
| OPAMPN                    | 61                 | Analog input         | Op amp inverting input; leave floating if unused and power-down the op amp                              |
| OPAMPOUT                  | 63                 | Analog output        | Op amp output; leave floating if unused and power-down the op amp                                       |
| OPAMPP                    | 60                 | Analog input         | Op amp noninverting input; leave floating if unused and power-down the op amp                           |
| $\overline{\text{PWDN}}$  | 35                 | Digital input        | Power-down; active low  |
| $\overline{\text{RESET}}$ | 36                 | Digital input        | System reset; active low  |
| RESV1                     | 31                 | Digital input        | Reserved for future use; must tie to logic low; connect to DGND   |
| SCLK                      | 40                 | Digital input        | SPI clock   |

(1) Connect any unused or powered down analog input pins to AVDD.

### Pin Functions (continued)

| PIN                  |     | TYPE                | DESCRIPTION  |
|----------------------|-----|---------------------|--|
| NAME                 | NO. |                     |  |
| START                | 38  | Digital input       | Start conversion   |
| TESTN <sup>(1)</sup> | 18  | Analog input/output | Test signal, negative pin; connect to DGND with a 10-kΩ resistor if unused |
| TESTP <sup>(1)</sup> | 17  | Analog input/output | Test signal, positive pin; connect to DGND with a 10-kΩ resistor if unused |
| VCAP1                | 28  | Analog output       | Analog bypass capacitor; connect a 470-pF capacitor to AVSS                |
| VCAP2                | 30  | Analog output       | Analog bypass capacitor; connect a 270-nF capacitor to AVSS                |
| VCAP3                | 55  | Analog output       | Analog bypass capacitor; connect a 270-nF capacitor to AVSS                |
| VCAP4                | 26  | Analog output       | Analog bypass capacitor; connect a 270-nF capacitor to AVSS                |
| VREFN                | 25  | Analog input        | Negative reference voltage; connect to AVSS                                |
| VREFP                | 24  | Analog output       | Positive reference voltage output; connect a 330-nF capacitor to VREFN     |

## 7 Specifications

### 7.1 Absolute Maximum Ratings

over operating ambient temperature range (unless otherwise noted)<sup>(1)</sup>

|   | MIN        | MAX        | UNIT |
|---|------------|------------|------|
| AVDD to AVSS  | -0.3       | 5.5        | V    |
| DVDD to DGND  | -0.3       | 3.9        | V    |
| AVSS to DGND  | -3         | 0.2        | V    |
| Analog input voltage  | AVSS - 0.3 | AVDD + 0.3 | V    |
| Digital input voltage   | DGND - 0.3 | DVDD + 0.3 | V    |
| Digital output voltage  | DGND - 0.3 | DVDD + 0.3 | V    |
| Continuous input current to any pin except supply pins <sup>(2)</sup> | -10        | 10         | mA   |
| Junction temperature, T <sub>J</sub>                                  | -40        | 150        | °C   |
| Storage temperature, T <sub>stg</sub>                                 | -60        | 150        | °C   |

- (1) Stresses beyond those listed under *Absolute Maximum Ratings* may cause permanent damage to the device. These are stress ratings only, which do not imply functional operation of the device at these or any other conditions beyond those indicated under *Recommended Operating Conditions*. Exposure to absolute-maximum-rated conditions for extended periods may affect device reliability.
- (2) Input pins are diode-clamped to the power-supply rails. Input signals that can swing beyond the supply rails must be current limited to 10 mA or less.

### 7.2 ESD Ratings

|                    |                         |  | VALUE | UNIT |
|--------------------|-------------------------|--|-------|------|
| V <sub>(ESD)</sub> | Electrostatic discharge | Human-body model (HBM), per ANSI/ESDA/JEDEC JS-001 <sup>(1)</sup>  | ±2000 | V    |
|                    |                         | Charged-device model (CDM), per JEDEC specification JESD22-C101 or ANSI/ESDA/JEDEC JS-002 <sup>(2)</sup> | ±500  |      |

- (1) JEDEC document JEP155 states that 500 V HBM allows safe manufacturing with a standard ESD control process.
- (2) JEDEC document JEP157 states that 250 V CDM allows safe manufacturing with a standard ESD control process.

### 7.3 Recommended Operating Conditions

over operating ambient temperature range (unless otherwise noted)

|                                 |                               |  | MIN   | NOM   | MAX                     | UNIT |
|---------------------------------|-------------------------------|--|---|-------|-------------------------|------|
| <b>POWER SUPPLY</b>             |                               |  |   |       |                         |      |
| AVDD                            | Analog power supply           | AVDD to AVSS                             | 2.7   | 5.0   | 5.25                    | V    |
| DVDD                            | Digital power supply          | DVDD to DGND                             | 1.7   | 1.8   | 3.6                     | V    |
|                                 | Analog to digital supply      | AVDD to DVDD                             | -2.1  |       | 3.6                     | V    |
| <b>ANALOG INPUTS</b>            |                               |  |   |       |                         |      |
| V <sub>IN</sub>                 | Differential input voltage    | $V_{IN} = V_{(AINP)} - V_{(AINN)}$       | $-V_{REF} / \text{Gain}$                                |       | $V_{REF} / \text{Gain}$ | V    |
| V <sub>CM</sub>                 | Common-mode input voltage     | $V_{CM} = (V_{(AINP)} + V_{(AINN)}) / 2$ | See the <a href="#">Input Common-Mode Range</a> section |       |                         | V    |
| <b>VOLTAGE REFERENCE INPUTS</b> |                               |  |   |       |                         |      |
| REFN                            | Negative reference input      |  |   | AVSS  |                         | V    |
| <b>EXTERNAL CLOCK SOURCE</b>    |                               |  |   |       |                         |      |
| f <sub>CLK</sub>                | Master clock rate             | CLKSEL pin = 0,<br>(AVDD – AVSS) = 3 V   | 1.7   | 2.048 | 2.25                    | MHz  |
|                                 |                               | CLKSEL pin = 0,<br>(AVDD – AVSS) = 5 V   | 1.0   | 2.048 | 2.25                    |      |
| <b>DIGITAL INPUTS</b>           |                               |  |   |       |                         |      |
|                                 | Input voltage                 |  | DGND – 0.1  |       | DVDD + 0.1              | V    |
| <b>TEMPERATURE RANGE</b>        |                               |  |   |       |                         |      |
| T <sub>A</sub>                  | Operating ambient temperature |  | -40   |       | 105                     | °C   |

### 7.4 Thermal Information

| THERMAL METRIC <sup>(1)</sup> |  | ADS131E08S | UNIT |
|-------------------------------|--|------------|------|
|                               |  | PAG (TQFP) |      |
|                               |  | 64 PINS    |      |
| R <sub>θJA</sub>              | Junction-to-ambient thermal resistance       | 46.2       | °C/W |
| R <sub>θJC(top)</sub>         | Junction-to-case (top) thermal resistance    | 5.8        | °C/W |
| R <sub>θJB</sub>              | Junction-to-board thermal resistance         | 19.6       | °C/W |
| ψ <sub>JT</sub>               | Junction-to-top characterization parameter   | 0.2        | °C/W |
| ψ <sub>JB</sub>               | Junction-to-board characterization parameter | 19.2       | °C/W |
| R <sub>θJC(bot)</sub>         | Junction-to-case (bottom) thermal resistance | n/a        | °C/W |

(1) For more information about traditional and new thermal metrics, see the [Semiconductor and IC Package Thermal Metrics](#) application report.

## 7.5 Electrical Characteristics

Minimum and maximum specifications apply from  $T_A = -40^\circ\text{C}$  to  $+105^\circ\text{C}$ . Typical specifications are at  $T_A = 25^\circ\text{C}$ . All specifications are at  $DVDD = 1.8\text{ V}$ ,  $AVDD = 5\text{ V}$ ,  $AVSS = 0\text{ V}$ ,  $V_{REF} = 4\text{ V}$ , external  $f_{CLK} = 2.048\text{ MHz}$ , data rate = 4 kSPS, and gain = 1 (unless otherwise noted).

| PARAMETER                                   |   | TEST CONDITIONS   | MIN  | TYP  | MAX  | UNIT    |
|---|---|---|------|--|------|---------|
| <b>ANALOG INPUTS</b>                        |   |   |      |  |      |         |
| $C_i$                                       | Input capacitance                           |   |      | 20   |      | pF      |
| $I_{IB}$                                    | Input bias current                          | PGA output in normal range  |      | 5  |      | nA      |
|   | DC input impedance                          |   |      | 200  |      | MΩ      |
| <b>PGA PERFORMANCE</b>                      |   |   |      |  |      |         |
|   | Gain settings                               |   |      | 1, 2, 4, 8, 12                                     |      | V/V     |
| BW  | Bandwidth                                   |   |      | See <a href="#">Table 3</a>                        |      |         |
| <b>ADC PERFORMANCE</b>                      |   |   |      |  |      |         |
| DR  | Data rate                                   | $f_{CLK} = 2.048\text{ MHz}$  | 1    | 4  | 64   | kSPS    |
|   | Resolution                                  | DR = 1 kSPS, 2 kSPS, 4 kSPS, 8 kSPS, and 16 kSPS                              | 24   |  |      | Bits    |
|   |   | DR = 32 kSPS and 64 kSPS  | 16   |  |      |         |
| <b>CHANNEL PERFORMANCE (DC Performance)</b> |   |   |      |  |      |         |
| INL   | Integral nonlinearity                       | Full-scale, best fit  |      | 10   |      | ppm     |
|   | Dynamic range                               | Data rate = 4 kSPS, gain = 1  |      | 116  |      | dB      |
|   |   | Gain settings other than 1  |      | See the <a href="#">Noise Measurements</a> section |      |         |
| $E_O$                                       | Offset error <sup>(1)</sup>                 | Gain = 1  | -100 | -450   | -800 | μV      |
|   | Offset error drift <sup>(1)</sup>           |   |      | 0.2  | 2.5  | μV/°C   |
| $E_G$                                       | Gain error                                  | Excluding voltage reference error   |      | 0.1%   |      |         |
|   | Gain drift                                  | Excluding voltage reference drift   |      | 3  |      | ppm/°C  |
|   | Gain match between channels                 |   |      | 0.2  |      | % of FS |
| <b>CHANNEL PERFORMANCE (AC Performance)</b> |   |   |      |  |      |         |
| CMRR  | Common-mode rejection ratio                 | $f_{CM} = 50\text{ Hz}$ or $60\text{ Hz}$ <sup>(2)</sup>                      |      | -110   |      | dB      |
| PSRR  | Power-supply rejection ratio                | $f_{PS} = 50\text{ Hz}$ or $60\text{ Hz}$                                     |      | -80  |      | dB      |
|   | Crosstalk                                   | $f_{IN} = 50\text{ Hz}$ or $60\text{ Hz}$                                     |      | -125   | -113 | dB      |
| SNR   | Signal-to-noise ratio                       | $f_{IN} = 50\text{ Hz}$ or $60\text{ Hz}$ , amplitude = -0.5 dBFS, normalized |      | 108  |      | dB      |
|   |   | $f_{IN} = 50\text{ Hz}$ or $60\text{ Hz}$ , amplitude = -15 dBFS, normalized  |      | 115  |      |         |
| THD   | Total harmonic distortion                   | $f_{IN} = 50\text{ Hz}$ or $60\text{ Hz}$ , amplitude = -0.5 dBFS             |      | -102   |      | dBc     |
|   |   | $f_{IN} = 50\text{ Hz}$ or $60\text{ Hz}$ , amplitude = -15 dBFS              |      | -107   |      |         |
| <b>INTERNAL VOLTAGE REFERENCE</b>           |   |   |      |  |      |         |
| $V_{REF}$                                   | Output voltage <sup>(1)</sup>               | $T_A = 25^\circ\text{C}$ , $V_{REF} = 2.4\text{ V}$ , $V_{REF\_4V} = 0$       |      | 2.4  |      | V       |
|   |   | $T_A = 25^\circ\text{C}$ , $V_{REF} = 4\text{ V}$ , $V_{REF\_4V} = 1$         | 3.88 | 4  | 4.12 |         |
|   | Accuracy                                    | $T_A = 25^\circ\text{C}$  |      | ±0.2%  |      |         |
|   | Temperature drift                           | $T_A = -40^\circ\text{C} \leq T_A \leq 105^\circ\text{C}$                     |      | 8  |      | ppm/°C  |
|   | Power-up time                               | VCAP1 = 470 pF, VREFP = 330 nF, settled to 0.2%                               |      | 1  |      | ms      |
| <b>INTERNAL OSCILLATOR</b>                  |   |   |      |  |      |         |
|   | Internal oscillator clock frequency         |   |      | 2.048  |      | MHz     |
|   | Internal oscillator accuracy <sup>(1)</sup> | $T_A = 25^\circ\text{C}$  |      |  | ±1%  |         |
|   |   | $-40^\circ\text{C} \leq T_A \leq +105^\circ\text{C}$                          |      |  |      |         |
|   | Power-up time                               |   |      | 20   |      | μs      |
|   | Internal oscillator power consumption       |   |      | 120  |      | μW      |

(1) Minimum and maximum values are specified by design and characterization data.

(2) CMRR is measured with a common-mode signal of  $(AVSS + 0.3\text{ V})$  to  $(AVDD - 0.3\text{ V})$ . The values indicated are the minimum of the eight channels.



## Electrical Characteristics (continued)

Minimum and maximum specifications apply from  $T_A = -40^{\circ}\text{C}$  to  $+105^{\circ}\text{C}$ . Typical specifications are at  $T_A = 25^{\circ}\text{C}$ . All specifications are at  $DVDD = 1.8\text{ V}$ ,  $AVDD = 5\text{ V}$ ,  $AVSS = 0\text{ V}$ ,  $V_{REF} = 4\text{ V}$ , external  $f_{CLK} = 2.048\text{ MHz}$ , data rate =  $4\text{ kSPS}$ , and gain = 1 (unless otherwise noted).

| PARAMETER  |  | TEST CONDITIONS                                 | MIN                   | TYP                | MAX               | UNIT                           |
|--|--|---|-----------------------|--------------------|-------------------|--------------------------------|
| <b>OPERATIONAL AMPLIFIER</b>                             |  |   |                       |                    |                   |                                |
|  | Integrated noise                         | 0.1 Hz to 250 Hz                                |                       | 9                  |                   | $\mu\text{V}_{\text{RMS}}$     |
|  | Noise density                            | 2 kHz   |                       | 120                |                   | $\text{nV}/\sqrt{\text{Hz}}$   |
| GBP  | Gain bandwidth product                   | 50-k $\Omega$    10-pF load                     |                       | 100                |                   | kHz                            |
| SR   | Slew rate                                | 50-k $\Omega$    10-pF load                     |                       | 0.25               |                   | V/ $\mu\text{s}$               |
|  | Load current                             |   |                       | 50                 |                   | $\mu\text{A}$                  |
| THD  | Total harmonic distortion                | $f_{IN} = 100\text{ Hz}$                        |                       | 70                 |                   | dB                             |
| $V_{CM}$   | Common-mode input range                  |   | $AVSS + 0.7$          |                    | $AVDD - 0.3$      | V                              |
|  | Quiescent current consumption            |   |                       | 20                 |                   | $\mu\text{A}$                  |
| <b>FAULT DETECT AND ALARM</b>                            |  |   |                       |                    |                   |                                |
|  | Comparator threshold accuracy            |   |                       | $\pm 30$           |                   | mV                             |
| <b>SYSTEM MONITORS</b>                                   |  |   |                       |                    |                   |                                |
|  | Analog supply reading error              |   |                       | 2%                 |                   |                                |
|  | Digital supply reading error             |   |                       | 2%                 |                   |                                |
|  | Device wake-up                           | From standby mode                               |                       | 31.25              |                   | $\mu\text{s}$                  |
| <b>TEMPERATURE SENSOR</b>                                |  |   |                       |                    |                   |                                |
|  | Offset voltage                           | $T_A = 25^{\circ}\text{C}^{(3)}$                |                       | 144                |                   | mV                             |
|  | Temperature coefficient <sup>(3)</sup>   |   |                       | 400                |                   | $\mu\text{V}/^{\circ}\text{C}$ |
| <b>SELF-TEST SIGNAL</b>                                  |  |   |                       |                    |                   |                                |
|  | Signal frequency                         |   |                       | $f_{CLK} / 2^{21}$ |                   | Hz                             |
|  |  |   |                       | $f_{CLK} / 2^{20}$ |                   |                                |
|  | Signal voltage                           |   |                       | $\pm 1$            |                   | mV                             |
|  |  |   |                       | $\pm 2$            |                   |                                |
|  | Accuracy                                 |   |                       | $\pm 2\%$          |                   |                                |
| <b>DIGITAL INPUTS AND OUTPUTS</b>                        |  |   |                       |                    |                   |                                |
| $V_{IH}$   | High-level input voltage <sup>(1)</sup>  | $DVDD = 1.7\text{ V to }1.8\text{ V}$           | $DVDD - 0.2\text{ V}$ |                    |                   | V                              |
|  |  | $DVDD = 1.8\text{ V to }3.6\text{ V}$           | $0.8\text{ DVDD}$     |                    | $DVDD + 0.1$      | V                              |
| $V_{IL}$   | Low-level input voltage <sup>(1)</sup>   | $DVDD = 1.7\text{ V to }1.8\text{ V}$           |                       |                    | $DGND + 0.2$      | V                              |
|  |  | $DVDD = 1.8\text{ V to }3.6\text{ V}$           | $DGND - 0.1$          |                    | $0.2\text{ DVDD}$ | V                              |
| $V_{OH}$   | High-level output voltage <sup>(1)</sup> | $I_{OH} = -500\text{ }\mu\text{A}$              | $0.9\text{ DVDD}$     |                    |                   | V                              |
| $V_{OL}$   | Low-level output voltage <sup>(1)</sup>  | $I_{OL} = 500\text{ }\mu\text{A}$               |                       |                    | $0.1\text{ DVDD}$ | V                              |
| $I_{IN}$   | Input current                            | $0\text{ V} < V_{\text{Digital\_Input}} < DVDD$ | $-10$                 |                    | 10                | $\mu\text{A}$                  |
| <b>SUPPLY CURRENT (Operational Amplifier Turned Off)</b> |  |   |                       |                    |                   |                                |
| $I_{AVDD}$   | Analog supply current                    | $AVDD - AVSS = 3\text{ V}$                      |                       | 5.1                |                   | mA                             |
|  |  | $AVDD - AVSS = 5\text{ V}$                      |                       | 5.8                |                   |                                |
| $I_{DVDD}$   | Digital supply current                   | $DVDD = 3.3\text{ V}$                           |                       | 1                  |                   | mA                             |
|  |  | $DVDD = 1.8\text{ V}$                           |                       | 0.4                |                   |                                |
| <b>POWER DISSIPATION (8 Channels Powered Up)</b>         |  |   |                       |                    |                   |                                |
|  | Power dissipation                        | Normal mode, $AVDD - AVSS = 3\text{ V}$         |                       | 16                 |                   | mW                             |
|  |  | Standby mode, $AVDD - AVSS = 3\text{ V}$        |                       | 2                  |                   |                                |
|  |  | Power-down mode, $AVDD - AVSS = 3\text{ V}$     |                       | 10                 |                   | $\mu\text{W}$                  |
|  |  | Normal mode, $AVDD - AVSS = 5\text{ V}^{(1)}$   |                       | 29.7               | 32.9              | mW                             |
|  |  | Standby mode, $AVDD - AVSS = 5\text{ V}$        |                       | 4.2                |                   |                                |
|  |  | Power-down mode, $AVDD - AVSS = 5\text{ V}$     |                       | 20                 |                   | $\mu\text{W}$                  |

(3) See the [Temperature Sensor \(TempP, TempN\)](#) section for more information.

## 7.6 Timing Requirements

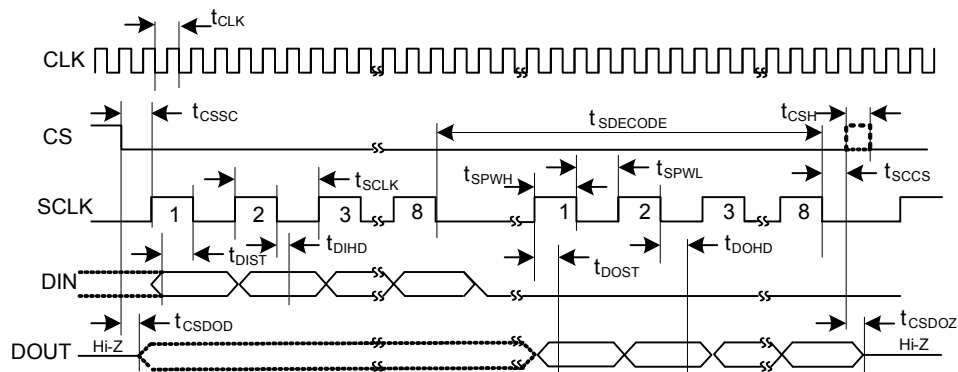
over operating ambient temperature range and DVDD = 1.7 V to 3.6 V (unless otherwise noted)

|                       |   | 2.7 V ≤ DVDD ≤ 3.6 V |     | 1.7 V ≤ DVDD ≤ 2 V |     | UNIT             |
|-----------------------|---|----------------------|-----|--------------------|-----|------------------|
|                       |   | MIN                  | MAX | MIN                | MAX |                  |
| t <sub>CLK</sub>      | Master clock period   | 444                  | 588 | 444                | 588 | ns               |
| t <sub>CSSC</sub>     | Delay time, first SCLK rising edge after $\overline{CS}$ falling edge | 6                    |     | 17                 |     | ns               |
| t <sub>SCLK</sub>     | SCLK period   | 50                   |     | 66.6               |     | ns               |
| t <sub>SPWH, L</sub>  | Pulse duration, SCLK high or low                                      | 15                   |     | 25                 |     | ns               |
| t <sub>DIST</sub>     | Setup time, DIN valid before SCLK falling edge                        | 10                   |     | 10                 |     | ns               |
| t <sub>DIHD</sub>     | Hold time, DIN valid after SCLK falling edge                          | 10                   |     | 11                 |     | ns               |
| t <sub>CSH</sub>      | Pulse duration, $\overline{CS}$ high                                  | 2                    |     | 2                  |     | t <sub>CLK</sub> |
| t <sub>SCCS</sub>     | Delay time, $\overline{CS}$ rising edge after final SCLK falling edge | 4                    |     | 4                  |     | t <sub>CLK</sub> |
| t <sub>SDECODE</sub>  | Command decode time   | 4                    |     | 4                  |     | t <sub>CLK</sub> |
| t <sub>DISCK2ST</sub> | Setup time, DAISY_IN valid before SCLK rising edge                    | 10                   |     | 10                 |     | ns               |
| t <sub>DISCK2HT</sub> | Hold time, DAISY_IN valid after SCLK rising edge                      | 10                   |     | 10                 |     | ns               |

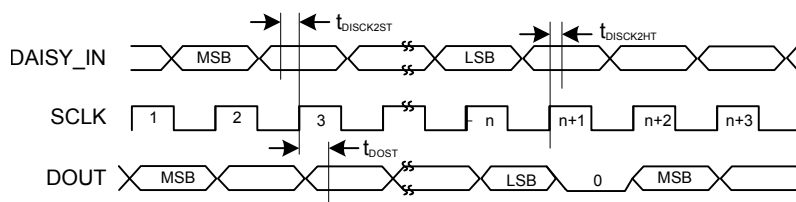
## 7.7 Switching Characteristics

over operating ambient temperature range, DVDD = 1.7 V to 3.6 V, and load on DOUT = 20 pF || 100 kΩ (unless otherwise noted)

| PARAMETER          |  | 2.7 V ≤ DVDD ≤ 3.6 V |     | 1.7 V ≤ DVDD ≤ 2.0 V |     | UNIT |
|--------------------|--|----------------------|-----|----------------------|-----|------|
|                    |  | MIN                  | MAX | MIN                  | MAX |      |
| t <sub>CSDOD</sub> | Propagation delay time, $\overline{CS}$ falling edge to DOUT driven        | 10                   |     | 20                   |     | ns   |
| t <sub>DOST</sub>  | Propagation delay time, SCLK rising edge to valid new DOUT                 |                      | 17  |                      | 32  | ns   |
| t <sub>DOHD</sub>  | Hold time, SCLK falling edge to invalid DOUT                               | 10                   |     | 10                   |     | ns   |
| t <sub>CSDOZ</sub> | Propagation delay time, $\overline{CS}$ rising edge to DOUT high impedance |                      | 10  |                      | 20  | ns   |



NOTE: SPI settings are CPOL = 0 and CPHA = 1.

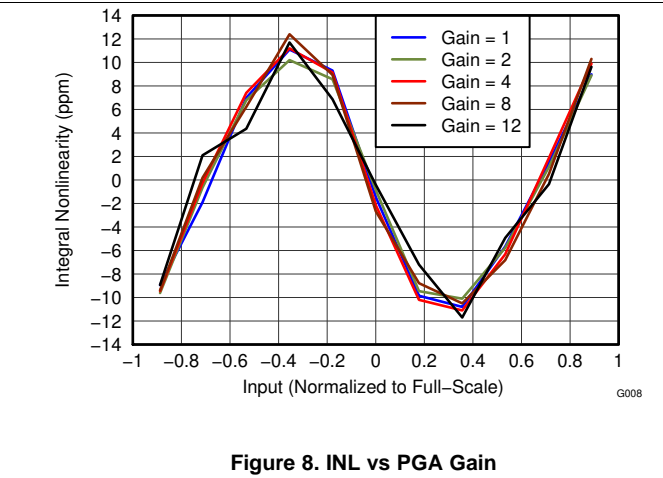
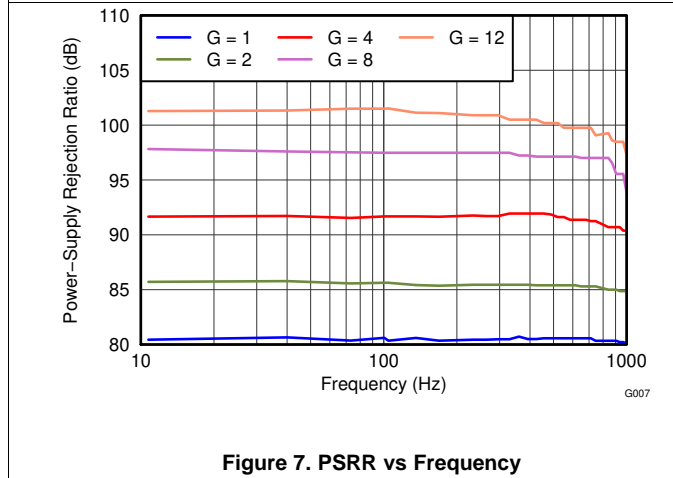
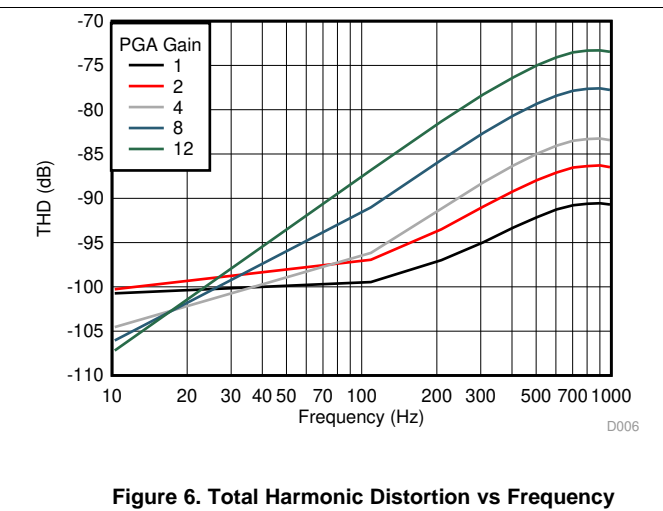
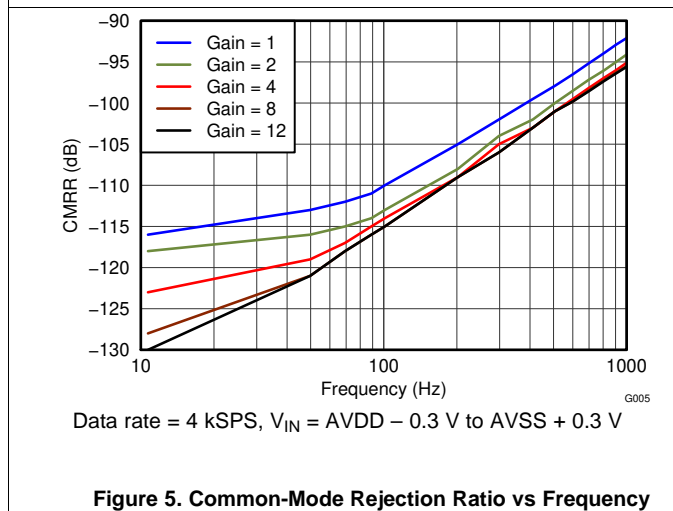
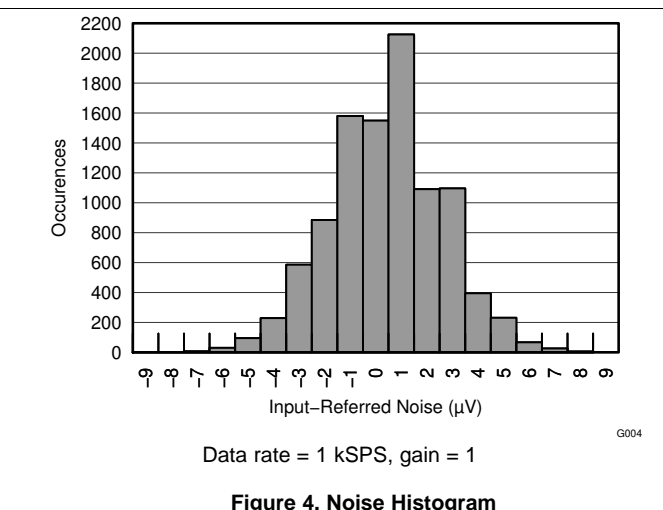
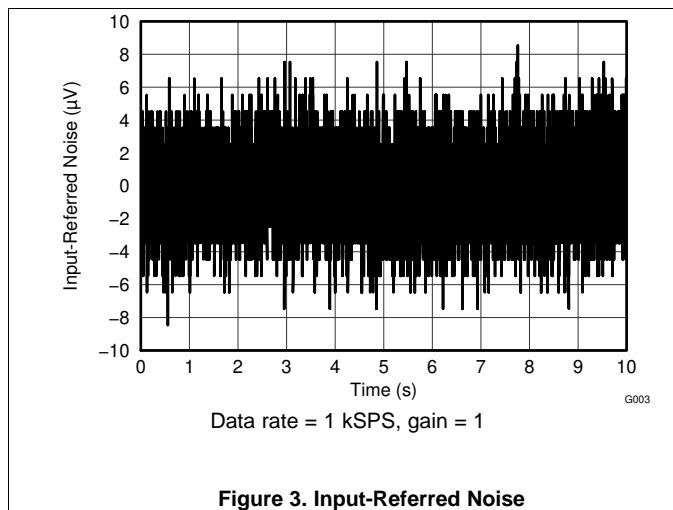
**Figure 1. Serial Interface Timing**


(1) n = Number of channels × resolution + 24 bits. Number of channels is 8; resolution is 16-bit or 24-bit.

**Figure 2. Daisy-Chain Interface Timing**

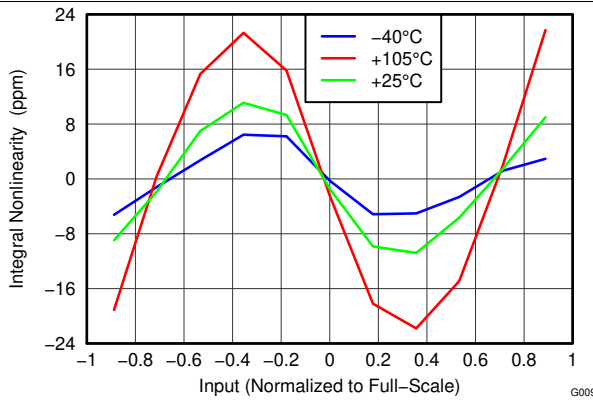
### 7.8 Typical Characteristics

at  $T_A = 25^\circ\text{C}$ ,  $AV_{DD} = 3\text{ V}$ ,  $AV_{SS} = 0\text{ V}$ ,  $DV_{DD} = 1.8\text{ V}$ , internal  $V_{REFP} = 2.4\text{ V}$ ,  $V_{REFN} = AV_{SS}$ , external  $f_{CLK} = 2.048\text{ MHz}$ , data rate = 8 kSPS, and gain = 1 (unless otherwise noted)

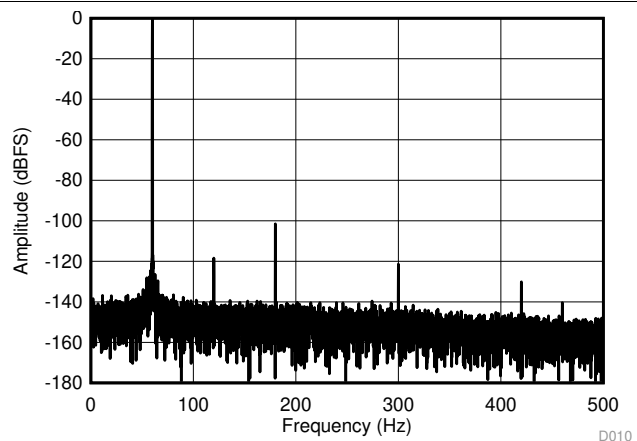


**Typical Characteristics (continued)**

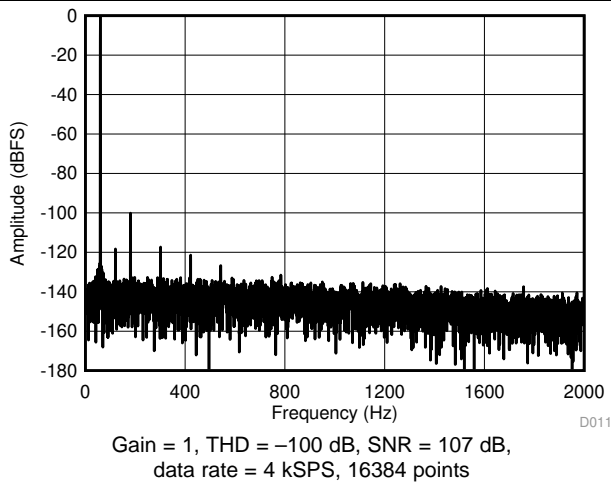
at  $T_A = 25^\circ\text{C}$ ,  $AVDD = 3\text{ V}$ ,  $AVSS = 0\text{ V}$ ,  $DVDD = 1.8\text{ V}$ , internal  $VREFP = 2.4\text{ V}$ ,  $VREFN = AVSS$ , external  $f_{CLK} = 2.048\text{ MHz}$ , data rate = 8 kSPS, and gain = 1 (unless otherwise noted)



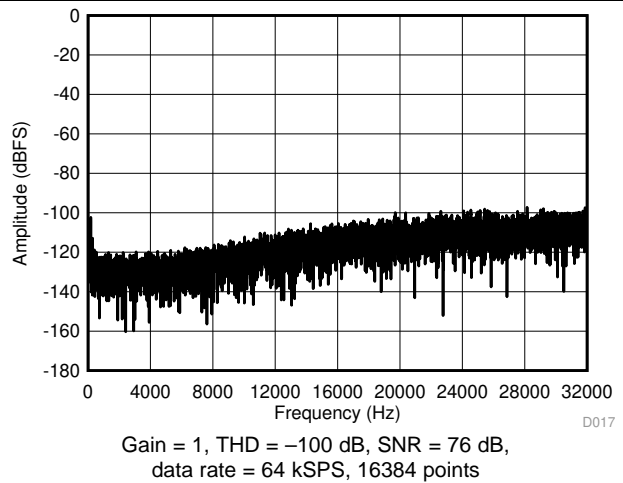
**Figure 9. INL vs Temperature**



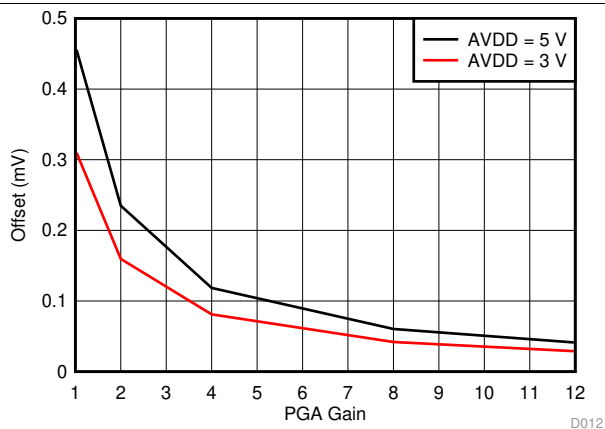
**Figure 10. THD FFT Plot**



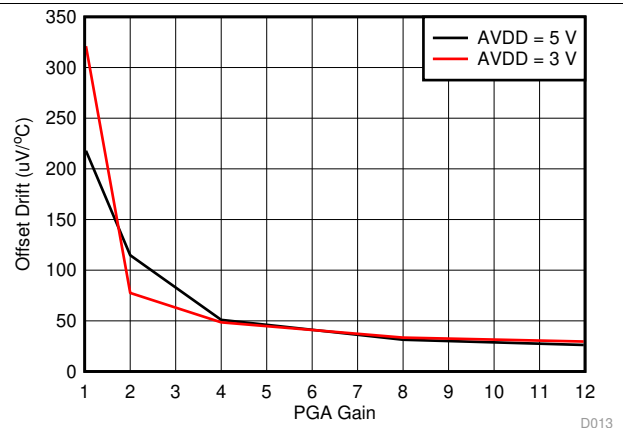
**Figure 11. THD FFT Plot**



**Figure 12. FFT Plot**



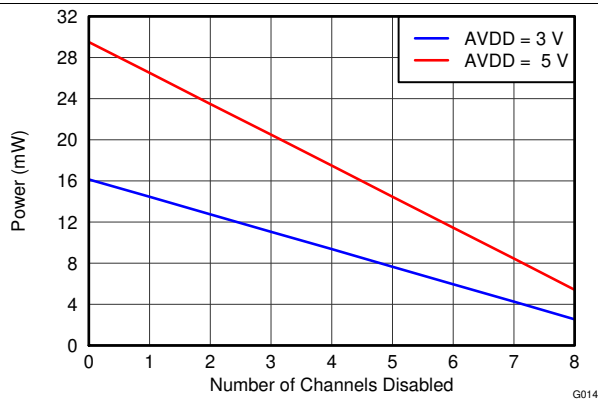
**Figure 13. Offset vs PGA Gain (Absolute Value)**



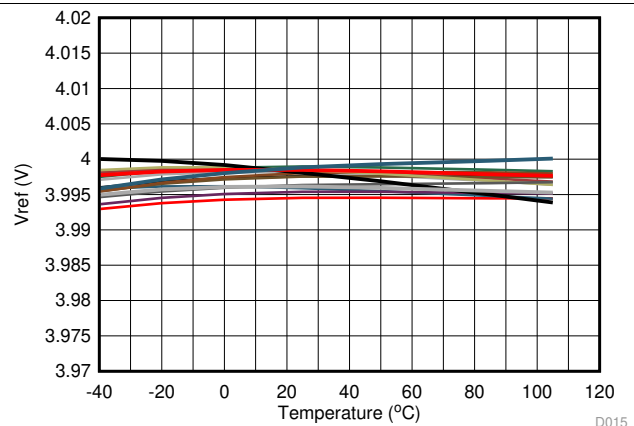
**Figure 14. Offset Drift vs PGA Gain**

**Typical Characteristics (continued)**

at  $T_A = 25^\circ\text{C}$ ,  $AVDD = 3\text{ V}$ ,  $AVSS = 0\text{ V}$ ,  $DVDD = 1.8\text{ V}$ , internal  $VREFP = 2.4\text{ V}$ ,  $VREFN = AVSS$ , external  $f_{CLK} = 2.048\text{ MHz}$ , data rate = 8 kSPS, and gain = 1 (unless otherwise noted)



**Figure 15. Channel Power**



$AVDD = 5\text{ V}$ ,  $AVSS = 0\text{ V}$ ,  $V_{REF} = 4\text{ V}$

**Figure 16. Internal  $V_{REF}$  vs Temperature**

## 8 Parameter Measurement Information

### 8.1 Noise Measurements

Adjust the data rate and PGA gain to optimize the ADS131E08S noise performance. When averaging is increased by reducing the data rate, noise drops correspondingly. Increasing the PGA gain reduces the input-referred noise, which is particularly useful when measuring low-level signals. [Table 1](#) summarizes the ADS131E08S noise performance with a 3-V analog power supply. [Table 2](#) summarizes the ADS131E08S noise performance with a 5-V analog power supply. Data are representative of typical noise performance at  $T_A = 25^\circ\text{C}$ . Data shown are the result of averaging the readings from multiple devices and are measured with the inputs shorted together. A minimum of 1000 consecutive readings are used to calculate the RMS noise for each reading. For the two highest data rates, noise is limited by the ADC quantization noise and does not have a Gaussian distribution. [Table 1](#) and [Table 2](#) show measurements taken with an internal reference. Data are representative of the ADS131E08S noise performance shown in both effective resolution (EFF RES) and dynamic range when using a low-noise external reference (such as the [REF5025](#)). Effective resolution data in [Table 1](#) and [Table 2](#) are calculated using [Equation 1](#) and dynamic range data in [Table 1](#) and [Table 2](#) are calculated using [Equation 2](#).

$$\text{Effective Resolution} = \log_2 \left( \frac{2 \times V_{\text{REF}}}{\text{Gain} \times V_{\text{RMS}}} \right) \quad (1)$$

$$\text{Dynamic Range} = 20 \times \log_{10} \left| \frac{V_{\text{REF}}}{\sqrt{2} \times V_{\text{RMS\_Noise}} \times \text{Gain}} \right| \quad (2)$$

**Table 1. Input-Referred Noise, 3-V Analog Supply, and 2.4-V Reference**

| DR BITS<br>(CONFIG1<br>Register) | OUTPUT<br>DATA<br>RATE<br>(kSPS) | -3-dB<br>BANDWIDTH<br>(Hz) | PGA GAIN              |         |                       |         |                       |         |                       |         |                       |         |
|----------------------------------|----------------------------------|----------------------------|-----------------------|---------|-----------------------|---------|-----------------------|---------|-----------------------|---------|-----------------------|---------|
|                                  |                                  |                            | x1                    |         | x2                    |         | x4                    |         | x8                    |         | x12                   |         |
|                                  |                                  |                            | DYNAMIC<br>RANGE (dB) | EFF RES | DYNAMIC<br>RANGE (dB) | EFF RES | DYNAMIC<br>RANGE (dB) | EFF RES | DYNAMIC<br>RANGE (dB) | EFF RES | DYNAMIC<br>RANGE (dB) | EFF RES |
| 000                              | 64                               | 16768                      | 74.1                  | 12.81   | 74.1                  | 12.80   | 74.0                  | 12.79   | 74.0                  | 12.79   | 73.9                  | 12.77   |
| 001                              | 32                               | 8384                       | 89.6                  | 15.39   | 89.6                  | 15.38   | 89.4                  | 15.35   | 88.6                  | 15.31   | 87.6                  | 15.05   |
| 010                              | 16                               | 4192                       | 102.8                 | 17.57   | 102.3                 | 17.49   | 100.6                 | 17.22   | 97.1                  | 16.62   | 94.2                  | 16.15   |
| 011                              | 8                                | 2096                       | 108.2                 | 18.5    | 107.4                 | 18.4    | 105.2                 | 18.0    | 101.6                 | 17.4    | 98.9                  | 17.0    |
| 100                              | 4                                | 1048                       | 111.4                 | 19.1    | 109.4                 | 18.9    | 107.4                 | 18.6    | 103.5                 | 17.9    | 100.5                 | 17.5    |
| 101                              | 2                                | 524                        | 114.6                 | 19.6    | 113.7                 | 19.5    | 111.4                 | 19.1    | 107.7                 | 18.5    | 104.9                 | 18.0    |
| 110                              | 1                                | 262                        | 117.7                 | 20.1    | 116.8                 | 20.0    | 114.5                 | 19.6    | 110.7                 | 19.0    | 108.0                 | 18.5    |

**Table 2. Input-Referred Noise, 5-V Analog Supply, and 4-V Reference**

| DR BITS<br>(CONFIG1<br>Register) | OUTPUT<br>DATA<br>RATE<br>(kSPS) | -3-dB<br>BANDWIDTH<br>(Hz) | PGA GAIN              |         |                       |         |                       |         |                       |         |                       |         |
|----------------------------------|----------------------------------|----------------------------|-----------------------|---------|-----------------------|---------|-----------------------|---------|-----------------------|---------|-----------------------|---------|
|                                  |                                  |                            | x1                    |         | x2                    |         | x4                    |         | x8                    |         | x12                   |         |
|                                  |                                  |                            | DYNAMIC<br>RANGE (dB) | EFF RES | DYNAMIC<br>RANGE (dB) | EFF RES | DYNAMIC<br>RANGE (dB) | EFF RES | DYNAMIC<br>RANGE (dB) | EFF RES | DYNAMIC<br>RANGE (dB) | EFF RES |
| 000                              | 64                               | 16768                      | 74.7                  | 12.91   | 74.7                  | 12.91   | 74.7                  | 12.91   | 74.7                  | 12.91   | 74.6                  | 12.89   |
| 001                              | 32                               | 8384                       | 90.3                  | 15.51   | 90.3                  | 15.50   | 90.2                  | 15.49   | 89.9                  | 15.43   | 89.4                  | 15.35   |
| 010                              | 16                               | 4192                       | 104.3                 | 17.83   | 104.0                 | 17.78   | 103.1                 | 17.62   | 100.5                 | 17.30   | 98.1                  | 16.80   |
| 011                              | 8                                | 2096                       | 112.3                 | 19.3    | 111.6                 | 19.1    | 109.7                 | 18.8    | 106.3                 | 18.2    | 103.8                 | 17.8    |
| 100                              | 4                                | 1048                       | 116.0                 | 19.8    | 115.2                 | 19.7    | 113.1                 | 19.3    | 109.5                 | 18.8    | 106.9                 | 18.3    |
| 101                              | 2                                | 524                        | 119.1                 | 20.3    | 118.2                 | 20.2    | 116.2                 | 19.9    | 112.6                 | 19.3    | 109.9                 | 18.8    |
| 110                              | 1                                | 262                        | 122.1                 | 20.9    | 121.3                 | 20.7    | 119.1                 | 20.4    | 115.6                 | 19.8    | 112.9                 | 19.3    |

## 9 Detailed Description

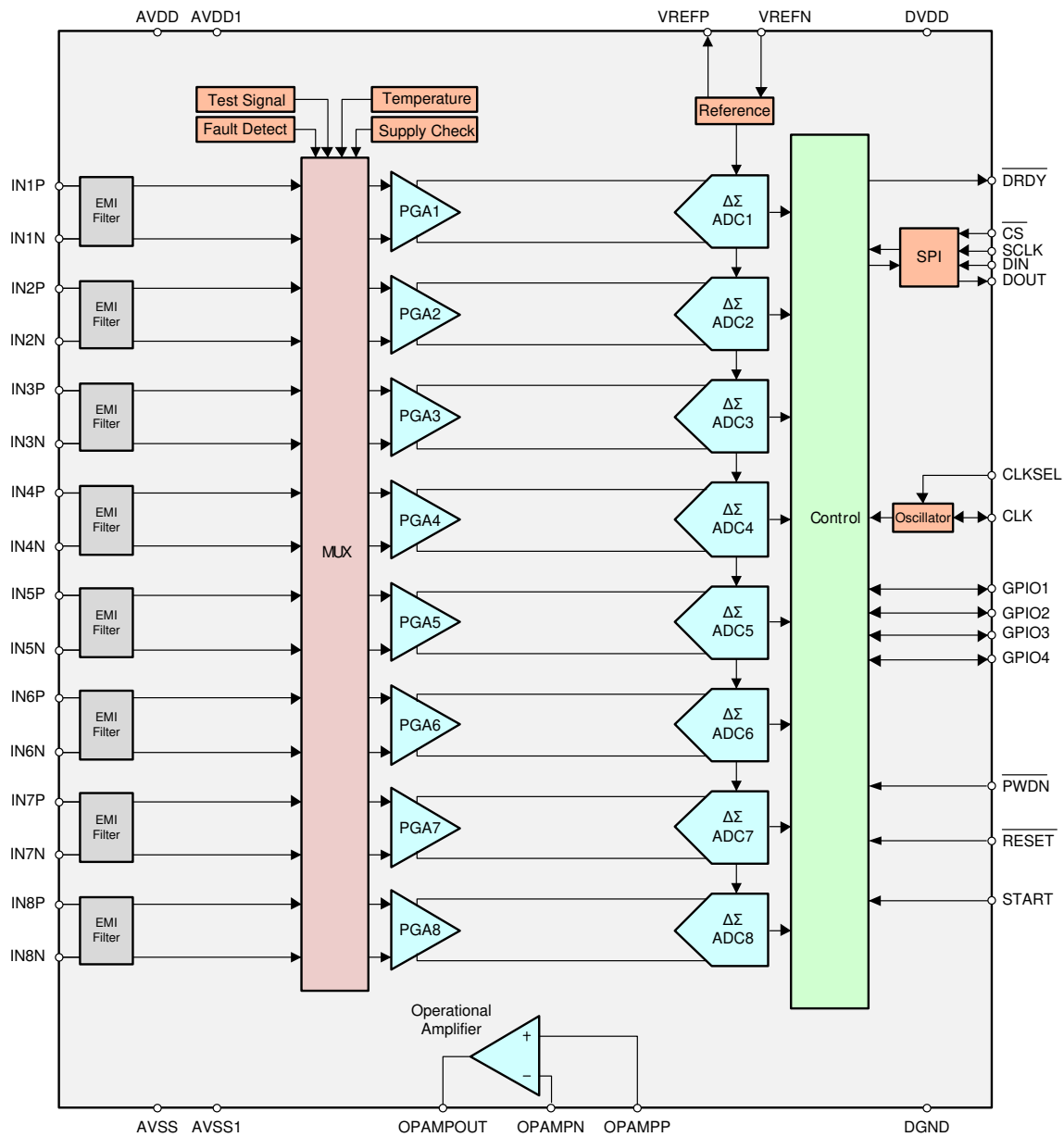
### 9.1 Overview

The ADS131E08S is a low-power, 8-channel, simultaneously-sampling, 24-bit, delta-sigma ( $\Delta\Sigma$ ), analog-to-digital converter (ADC) with an integrated programmable gain amplifier (PGA) and short start-up time. The analog device performance across a scalable data rate makes the device well-suited for smart-grid and other industrial power monitor, control, and protection applications.

The ADS131E08S has a programmable multiplexer that allows for various internal monitoring signal measurements including temperature, supply, and input short for device noise testing. The PGA gain can be chosen from one of five settings: 1, 2, 4, 8, or 12. The ADCs in the device offer data rates of 1 kSPS, 2 kSPS, 4 kSPS, 8 kSPS, 16 kSPS, 32 kSPS, and 64 kSPS. The device communicates using a serial peripheral interface (SPI)-compatible interface. The device provides four general-purpose I/O (GPIO) pins for general use. Use multiple devices to easily add channels to the system and synchronize them with the START pins.

Program the internal reference to either 2.4 V or 4 V. The internal oscillator generates a 2.048-MHz clock. Use the integrated comparators, with programmable trigger-points, for input overrange or underrange detection. A detailed diagram of the ADS131E08S is provided in the [Functional Block Diagram](#) section.

## 9.2 Functional Block Diagram





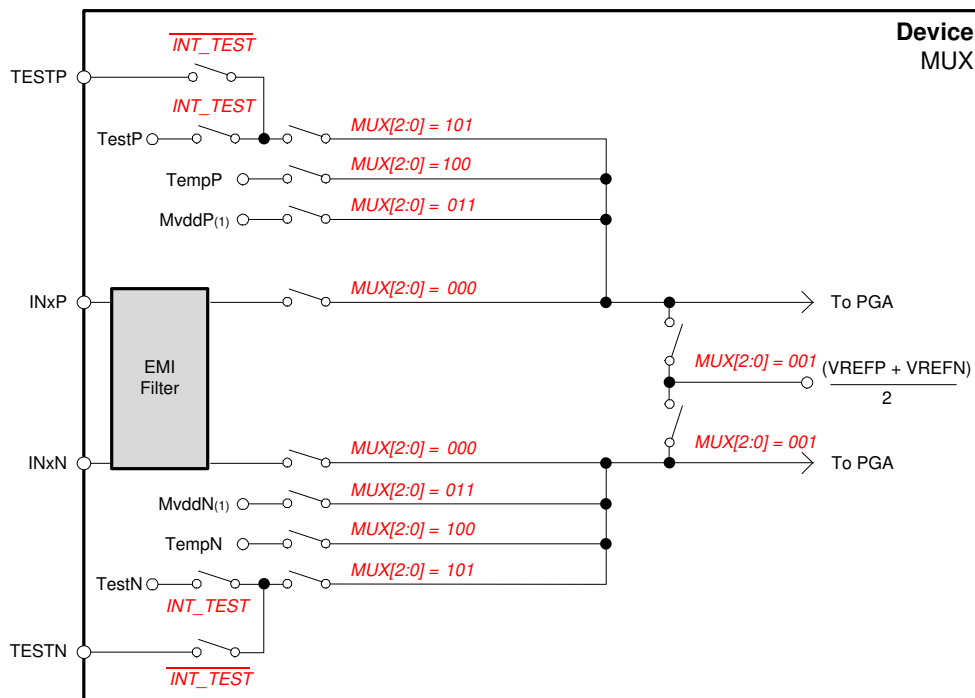
### 9.3 Feature Description

#### 9.3.1 Electromagnetic Interference (EMI) Filter

An RC filter at the input functions as an EMI filter on all channels. The –3-dB filter bandwidth is approximately 3 MHz.

#### 9.3.2 Input Multiplexer

The ADS131E08S input multiplexers are very flexible and provide many configurable signal-switching options. Figure 17 shows a diagram of the multiplexer on a single channel of the device. INxP and INxN are separate for each of the eight blocks. This flexibility allows for significant device and sub-system diagnostics, calibration, and configuration. Switch settings for each channel are selected by writing the appropriate values to the CHnSET registers (see the CHnSET registers in the Register Map section for details). The output of each multiplexer is connected to the individual channel PGA.



- (1) MVDD monitor voltage supply depends on channel number; see the [Power-Supply Measurements \(MVDDP, MVDDN\)](#) section.

Figure 17. Input Multiplexer Block for One Channel

## Feature Description (continued)

### 9.3.2.1 Device Noise Measurements

Setting CHnSET[2:0] = 001 sets the common-mode voltage of  $[(V_{(VREFP)} + V_{(VREFN)}) / 2]$  to both channel inputs. Use this setting to test inherent device noise in the user system.

### 9.3.2.2 Test Signals (TestP and TestN)

Setting CHnSET[2:0] = 101 provides internally-generated test signals for use in sub-system verification at power-up. The test signals are controlled through register settings (see the [CONFIG2: Configuration Register 2](#) section for details). TEST\_AMP controls the signal amplitude and TEST\_FREQ controls the switching frequency of the test signal. The test signals are multiplexed and transmitted out of the device at the TESTP and TESTN pins. The INT\_TEST register bit (in the [CONFIG2: Configuration Register 2](#) section) deactivates the internal test signals so that the test signal can be driven externally. This feature allows the test or calibration of multiple devices with the same signal.

### 9.3.2.3 Temperature Sensor (TempP, TempN)

Setting CHnSET[2:0] = 100 sets the channel input to the temperature sensor. This sensor uses two internal diodes with one diode having a current density 16 times that of the other, as shown in [Figure 18](#). The difference in diode current densities yields a difference in voltage that is proportional to absolute temperature.

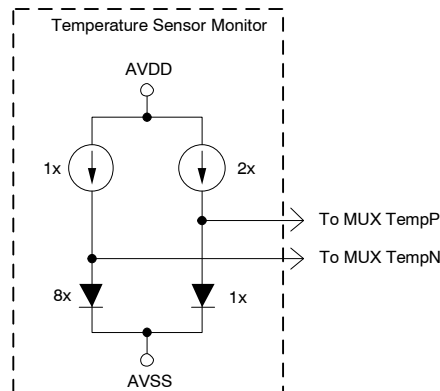


Figure 18. Temperature Sensor Implementation

The internal device temperature tracks the PCB temperature closely because of the low thermal resistance of the package to the PCB. Self-heating of the ADS131E08S causes a higher reading than the temperature of the surrounding PCB. Setting the channel gain to 1 is recommended when the temperature measurement is taken.

The scale factor of [Equation 3](#) converts the temperature reading to °C. Before using this equation, the temperature reading code must first be scaled to  $\mu\text{V}$ .

$$\text{Temperature (}^\circ\text{C)} = \left( \frac{V_{\text{Temperature}} (\mu\text{V}) - 144,000 \mu\text{V}}{400 \mu\text{V} / ^\circ\text{C}} \right) \tag{3}$$

### 9.3.2.4 Power-Supply Measurements (MVDDP, MVDDN)

Setting CHnSET[2:0] = 011 sets the channel inputs to different device supply voltages. For channels 1, 2, 5, 6, 7, and 8 (MVDDP – MVDDN) is  $[0.5 \times (AVDD - AVSS)]$ ; for channels 3 and 4 (MVDDP – MVDDN) is DVDD / 4. Set the gain to 1 to avoid saturating the PGA when measuring power supplies.

## Feature Description (continued)

### 9.3.3 Analog Input

The analog inputs to the device connect directly to an integrated low-noise, low-drift, high input impedance, programmable gain amplifier. The amplifier is located following the individual channel multiplexer.

The ADS131E08S analog inputs are fully differential. The differential input voltage ( $V_{INxP} - V_{INxN}$ ) can span from  $-V_{REF} / \text{gain}$  to  $V_{REF} / \text{gain}$ . See the [Data Format](#) section for an explanation of the correlation between the analog input and digital codes. There are two general methods of driving the ADS131E08S analog inputs: pseudo-differential or fully-differential, as shown in [Figure 19](#), [Figure 20](#), and [Figure 21](#).

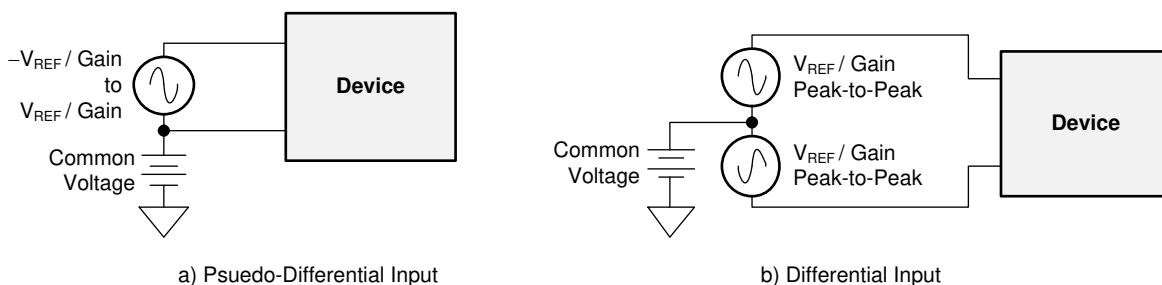
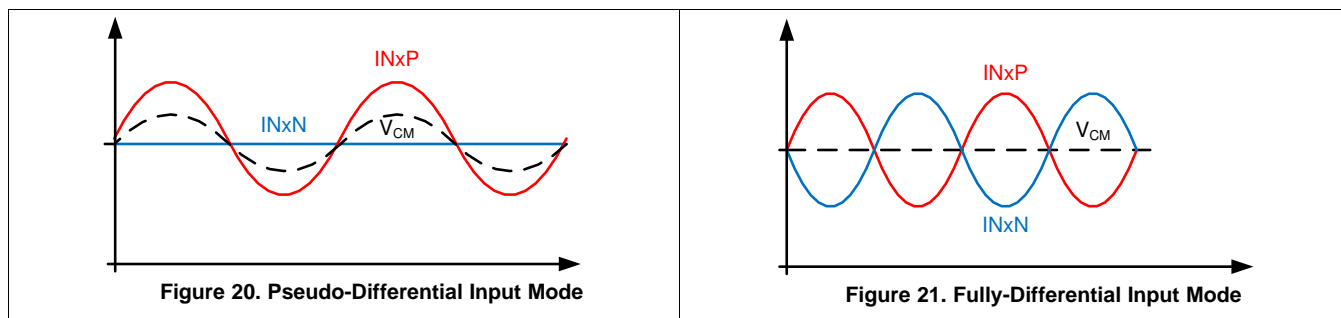


Figure 19. Methods of Driving the ADS131E08S: Pseudo-Differential or Fully Differential



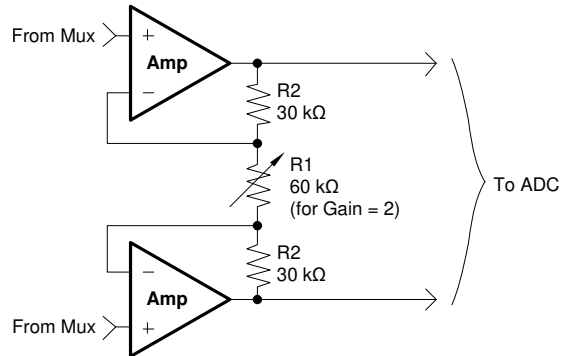
Hold the INxN pin at a common voltage, preferably at mid supply, to configure the fully differential input for a pseudo-differential signal. Swing the INxP pin around the common voltage  $-V_{REF} / \text{gain}$  to  $V_{REF} / \text{gain}$  and remain within the absolute maximum specifications. Verify that the differential signal at the minimum and maximum points meets the common-mode input specification discussed in the [Input Common-Mode Range](#) section.

Configure the signals at INxP and INxN to be 180° out-of-phase centered around a common voltage to use a fully-differential input method. Both the INxP and INxN inputs swing from the common voltage  $+ \frac{1}{2} V_{REF} / \text{gain}$  to the common voltage  $- \frac{1}{2} V_{REF} / \text{gain}$ . The differential voltage at the maximum and minimum points is equal to  $-V_{REF} / \text{gain}$  to  $V_{REF} / \text{gain}$ . Use the ADS131E08S in a differential configuration to maximize the dynamic range of the data converter. For optimal performance, the common voltage is recommended to be set at the midpoint of the analog supplies  $[(AVDD + AVSS) / 2]$ .

If any of the analog input channels are not used, then power-down these pins using register bits to conserve power. See the [SPI Command Definitions](#) section for more information on how to power-down individual channels. Tie any unused or powered down analog input pins directly to AVDD.

### 9.3.4 PGA Settings and Input Range

Each channel has its own configurable programmable gain amplifier (PGA) following its multiplexer. The PGA is designed using two operational amplifiers in a differential configuration, as shown in [Figure 22](#). Set the gain to one of five settings (1, 2, 4, 8, and 12) using the CHnSET registers for each individual channel (see the [CHnSET](#) registers in the [Register Map](#) section for details). The ADS131E08S has CMOS inputs and therefore has negligible current noise. [Table 3](#) shows the typical small-signal bandwidth values for various gain settings.



**Figure 22. PGA Implementation**

**Table 3. PGA Gain versus Bandwidth**

| GAIN | NOMINAL BANDWIDTH AT T <sub>A</sub> = 25°C (kHz) |
|------|--|
| 1    | 237  |
| 2    | 146  |
| 4    | 96   |
| 8    | 48   |
| 12   | 32   |

The PGA resistor string that implements the gain has 120 kΩ of resistance for a gain of 2. This resistance provides a current path across the PGA outputs in the presence of a differential input signal. This current is in addition to the quiescent current specified for the device in the presence of a differential signal at the input.

### 9.3.4.1 Input Common-Mode Range

The usable input common-mode range of the analog front-end depends on various parameters, including the maximum differential input signal, supply voltage, and PGA gain. The common-mode range,  $V_{CM}$ , is defined in Equation 4:

$$AVDD - 0.3 \text{ V} - \left[ \frac{\text{Gain} \times V_{\text{MAX\_DIFF}}}{2} \right] > V_{\text{CM}} > AVSS + 0.3 \text{ V} + \left[ \frac{\text{Gain} \times V_{\text{MAX\_DIFF}}}{2} \right]$$

where:

- $V_{\text{MAX\_DIFF}}$  = maximum differential signal at the PGA input and
- $V_{\text{CM}}$  = common-mode voltage

(4)

For example:

If  $AVDD - AVSS = 3.3 \text{ V}$ , gain = 2, and  $V_{\text{MAX\_DIFF}} = 1000 \text{ mV}$ ,

Then  $1.3 \text{ V} < V_{\text{CM}} < 2.0 \text{ V}$

### 9.3.5 $\Delta\Sigma$ Modulator

Each ADS131E08S channel has its own delta-sigma ( $\Delta\Sigma$ ) ADC. The  $\Delta\Sigma$  converters use second-order modulators optimized for low-power applications. The modulator samples the input signal at the modulator rate of ( $f_{\text{MOD}} = f_{\text{CLK}} / 2$ ). As with any  $\Delta\Sigma$  modulator, the ADS131E08S noise is shaped until  $f_{\text{MOD}} / 2$ , as shown in Figure 23.

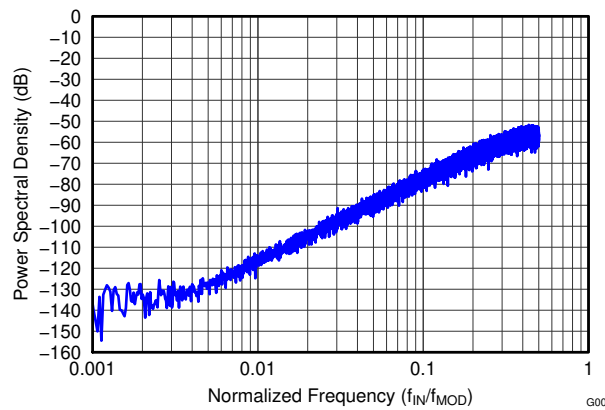


Figure 23. Modulator Noise Spectrum Up to  $0.5 \times f_{\text{MOD}}$

### 9.3.6 Clock

The ADS131E08S provides two different device clocking methods: internal and external. Internal clocking using the internal oscillator is ideally-suited for non-synchronized, low-power systems. The internal oscillator is trimmed for accuracy at room temperature. The accuracy of the internal oscillator varies over the specified temperature range; see the [Electrical Characteristics](#) table for details. External clocking is recommended when synchronizing multiple ADS131E08S devices or when synchronizing to an external event because the internal oscillator clock performance can vary over temperature. Clock selection is controlled by the CLKSEL pin and the CLK\_EN register bit. Provide the external clock any time after the analog and digital supplies are present.

The CLKSEL pin selects either the internal oscillator or external clock. The CLK\_EN bit in the CONFIG1 register enables and disables the oscillator clock to be output on the CLK pin. A truth table for the CLKSEL pin and the CLK\_EN bit is shown in [Table 4](#). The CLK\_EN bit is useful when multiple devices are used in a daisy-chain configuration. During power-down, the external clock is recommended to be shut down to save power.

**Table 4. CLKSEL Pin and CLK\_EN Bit**

| CLKSEL PIN | CLK_EN BIT | CLOCK SOURCE        | CLK PIN STATUS              |
|------------|------------|---------------------|-----------------------------|
| 0          | X          | External clock      | Input: external clock       |
| 1          | 0          | Internal oscillator | 3-state                     |
| 1          | 1          | Internal oscillator | Output: internal oscillator |

### 9.3.7 Digital Decimation Filter

The digital filter receives the modulator output bit stream and decimates the data stream. The decimation ratio determines the number of samples taken to create the output data word, and is set by the modulator rate divided by the data rate ( $f_{MOD} / f_{DR}$ ). By adjusting the decimation ratio, a tradeoff can be made between resolution and data rate: higher decimation allows for higher resolution (thus creating lower data rates) and lower decimation decreases resolution but enables wider bandwidths with higher data rates. Higher data rates are typically used in power applications that implement software re-sampling techniques to help with channel-to-channel phase adjustment for voltage and current.

The digital filter on each channel consists of a third-order sinc filter. An input step change takes three conversion cycles for the filter to settle. Adjust the decimation ratio of the sinc<sup>3</sup> filters using the DR[2:0] bits in the CONFIG1 register (see the [Register Map](#) section for details). The data rate setting is a global setting that sets all channels to the same data rate.

The sinc filter is a variable decimation rate, third-order, low-pass filter. Data are supplied to this section of the filter from the modulator at the rate of  $f_{MOD}$ . The sinc<sup>3</sup> filter attenuates the high-frequency modulator noise, then decimates the data stream into parallel data. The decimation rate affects the overall converter data rate.

[Equation 5](#) shows the scaled sinc<sup>3</sup> filter Z-domain transfer function.

$$|H(z)| = \left| \frac{1 - Z^{-N}}{1 - Z^{-1}} \right|^3 \quad (5)$$

The sinc<sup>3</sup> filter frequency domain transfer function is shown in [Equation 6](#).

$$|H(f)| = \left| \frac{\sin \left[ \frac{N\pi f}{f_{MOD}} \right]}{N \times \sin \left[ \frac{\pi f}{f_{MOD}} \right]} \right|^3$$

where:

- N = decimation ratio (6)

The sinc<sup>3</sup> filter has notches (or zeroes) that occur at the output data rate and multiples thereof. At these frequencies, the filter has infinite attenuation. [Figure 24](#) illustrates the sinc filter frequency response and [Figure 25](#) illustrates the sinc filter roll-off. [Figure 26](#) and [Figure 27](#) illustrate the filter transfer function until  $f_{MOD} / 2$  and  $f_{MOD} / 16$ , respectively, at different data rates. [Figure 28](#) illustrates the transfer function extended until  $4 f_{MOD}$ . [Figure 28](#) illustrates that the ADS131E08S passband repeats itself at every  $f_{MOD}$ . Note that the digital filter response and filter notches are proportional to the master clock frequency.

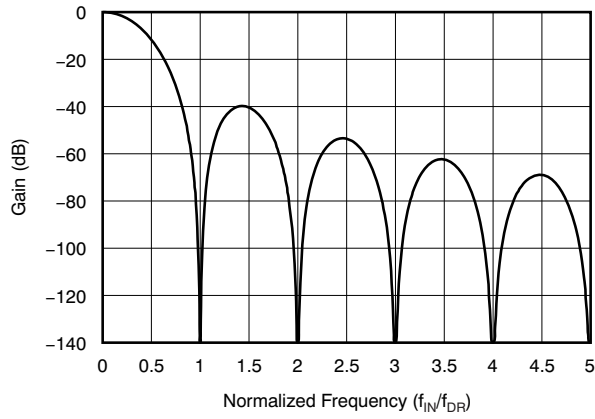


Figure 24. Sinc Filter Frequency Response

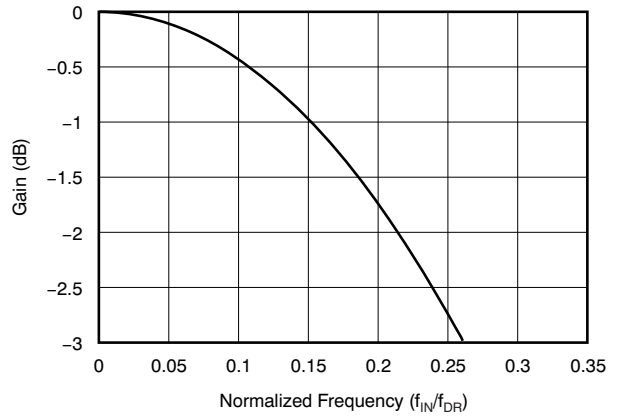


Figure 25. Sinc Filter Roll-Off

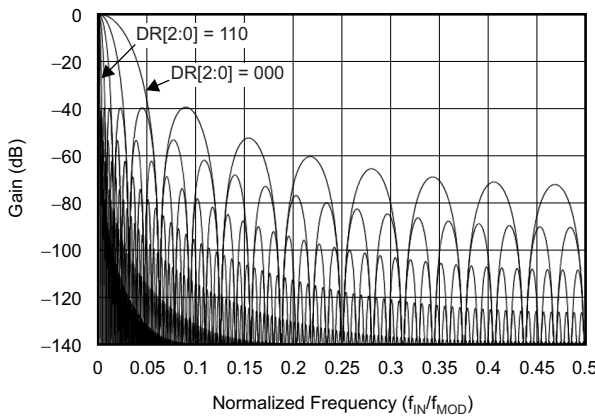


Figure 26. Transfer Function of Decimation Filters Until  $f_{MOD} / 2$

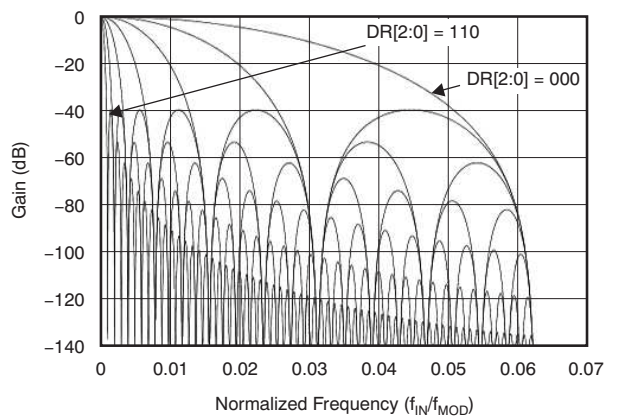


Figure 27. Transfer Function of Decimation Filters Until  $f_{MOD} / 16$

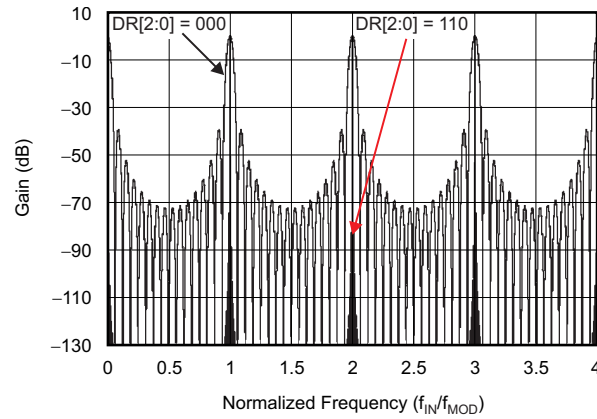
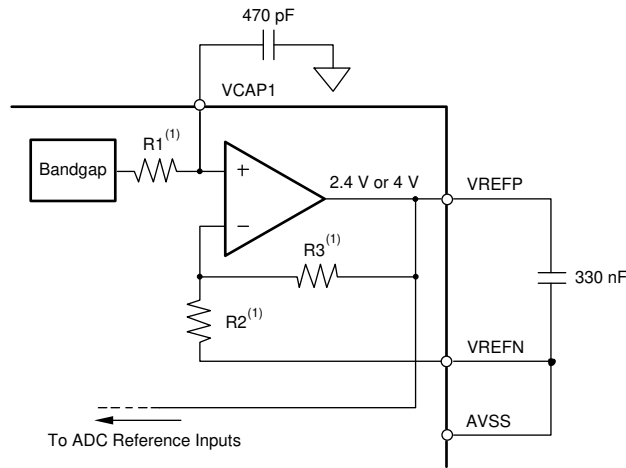


Figure 28. Transfer Function of Decimation Filters Until  $4 f_{MOD}$  for  $DR[2:0] = 000$  and  $DR[2:0] = 110$

### 9.3.8 Voltage Reference

The ADS131E08S uses an internal voltage reference and does not provide the option of connecting an external reference voltage. Figure 29 shows a simplified block diagram of the internal reference. There are two internal reference voltage options generated with respect to AVSS: 2.4 V and 4 V. Connect VREFN to AVSS.

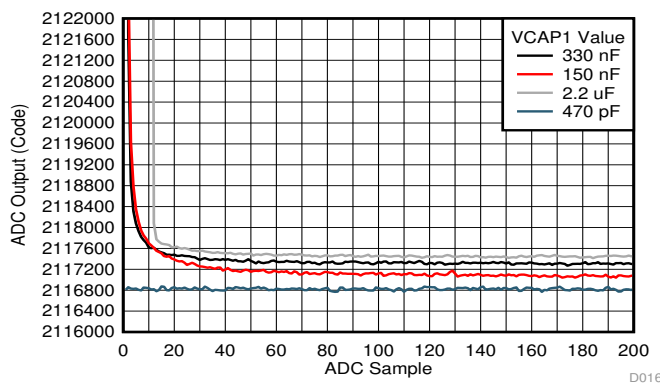


- (1) For  $V_{REF} = 2.4\text{ V}$ :  $R1 = 12.5\text{ k}\Omega$ ,  $R2 = 25\text{ k}\Omega$ , and  $R3 = 25\text{ k}\Omega$ .
- For  $V_{REF} = 4\text{ V}$ :  $R1 = 10.5\text{ k}\Omega$ ,  $R2 = 15\text{ k}\Omega$ , and  $R3 = 35\text{ k}\Omega$ .

**Figure 29. Internal Reference Implementation**

The external band-limiting capacitors, connected to VCAP1 and between the VREFP and VREFN nodes, determine the amount of reference noise contribution. Although limiting the bandwidth through larger capacitor sizes helps keep noise at a minimum, using large capacitors increases the power-up time of the ADC. Using the capacitor values shown in Figure 29 is recommended to optimize the power-up time of the device.

The internal band gap (VCAP1 pin) used to create the internal reference voltage requires a capacitor to filter noise. As a result of limited drive strength, the size of the capacitor on VCAP1 sets the power-up time of the device. Figure 30 shows the accuracy of the first 200 conversion samples with different capacitors on VCAP1 following power-up. Larger capacitors on VCAP1 help filter broadband noise but add to the power-up time. To generate the plot of Figure 30, the ADC input voltage is fixed at 1 V during power-up and the ADC output conversion result is tracked to show the VCAP1 power-up time.



**Figure 30. VCAP1 Power-Up Time versus External Capacitor Value**

Use the VREF\_4V bit in the CONFIG2 register to set the internal reference to either 4 V or 2.4 V. By default, the reference powers up as 4 V for a 5-V system (or  $\pm 2.5\text{-V}$  supplies). In a 3-V system (or  $\pm 1.5\text{-V}$  supplies), configure the internal reference to 2.4 V immediately following power-up. No damage occurs to the device when the ADS131E08S is set to a 4-V reference when using a 3-V supply system. The internal reference saturates until programmed to 2.4 V.



### 9.3.9 Input Out-of-Range Detection

The ADS131E08S has integrated comparators to detect out-of-range conditions on the input signals. The basic principle is to compare the input voltage against a threshold voltage set by a 3-bit digital-to-analog converter (DAC) based off the analog power supply. The comparator trigger threshold level is set by the COMP\_TH[2:0] bits in the FAULT register.

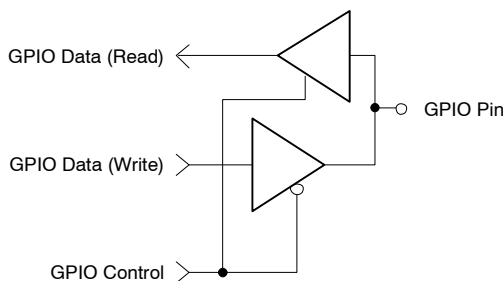
If the ADS131E08S is powered from a  $\pm 2.5\text{-V}$  supply and COMP\_TH[2:0] = 000 (95% and 5%), the high-side trigger threshold is set at 2.25 V [equal to AVSS + (AVDD – AVSS)  $\times$  95%] and the low-side threshold is set at  $-2.25\text{ V}$  [equal to AVSS + (AVDD – AVSS)  $\times$  5%]. The threshold calculation formula applies to unipolar as well as to bipolar supplies.

A fault condition can be detected by setting the appropriate threshold level using the COMP\_TH[2:0] bits. To determine which of the inputs is out of range, read the FAULT\_STATP and FAULT\_STATN registers individually or read the FAULT\_STATx bits as part of the output data stream; see the [Data Output \(DOUT\)](#) section.

### 9.3.10 General-Purpose Digital I/O (GPIO)

The ADS131E08S has a total of four general-purpose digital I/O (GPIO) pins available. Configure the digital I/O pins as either inputs or outputs through the GPIOC bits. The GPIOD bits in the GPIO register indicate the level of the pins. The GPIO logic high voltage level is set by the voltage level of DVDD. When reading the GPIOD bits, the data returned are the logic level of the pins, whether they are programmed as inputs or outputs. When the GPIO pin is configured as an input, a write to the corresponding GPIOD bit has no effect. When configured as an output, a write to the GPIOD bit sets the output level.

If configured as inputs, the GPIO pins must be driven to a defined state. The GPIO pins are set as inputs after power-up or after a reset. [Figure 31](#) shows the GPIO pin structure. Connect unused GPIO pins directly to DGND through 10-k $\Omega$  resistors.



**Figure 31. GPIO Pin Implementation**

## 9.4 Device Functional Modes

### 9.4.1 Power-Down

Power-down all on-chip circuitry by pulling the  $\overline{\text{PWDN}}$  pin low. To exit power-down mode, take the  $\overline{\text{PWDN}}$  pin high. The internal oscillator and reference require time to come out of power-down mode. During power-down, the external clock is recommended to be shut down to save power.

### 9.4.2 Reset

There are two methods to reset the ADS131E08S: pull the  $\overline{\text{RESET}}$  pin low, or send the RESET command. When using the  $\overline{\text{RESET}}$  pin, driving the pin low forces the device into reset. Follow the minimum pulse duration timing specifications before taking the  $\overline{\text{RESET}}$  pin back high. The RESET command takes effect on the eighth SCLK falling edge. After the device is reset, 18  $t_{\text{CLK}}$  cycles are required to complete initialization of the configuration registers to the default states and start the conversion cycle.

### 9.4.3 Conversion Mode

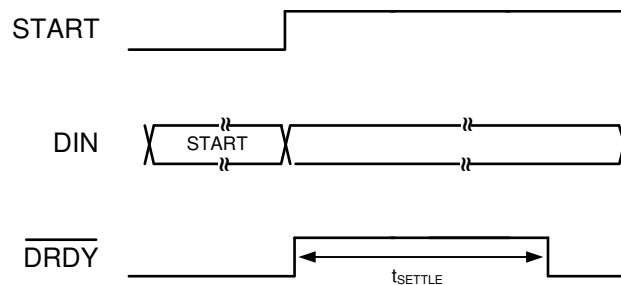
Set the START pin high (for a minimum of 2  $t_{\text{CLK}}$ ) or send the START command to begin conversions. When the START pin is held low, or if the START command is not sent, conversions are halted and the new data-ready indicator (the  $\overline{\text{DRDY}}$  signal) does not issue.

When using the START command to control conversions, hold the START pin low.

In multiple device configurations, the START pin is used to synchronize devices (see the [Multiple Device Configuration](#) section for more details).

#### 9.4.3.1 START Pin Low-to-High Transition or START Command Sent

When the START pin is pulled high or when the START command is sent, the device ADCs begin converting the input signals and the data ready indicator,  $\overline{\text{DRDY}}$ , is pulled high. The next  $\overline{\text{DRDY}}$  falling edge indicates that data are ready. The settling time ( $t_{\text{SETTLE}}$ ) is the time required for the converter to output fully-settled data when the START signal is pulled high or the START command is issued. [Figure 32](#) shows the timing diagram and [Table 5](#) shows the settling time for different data rates. The settling time depends on  $f_{\text{CLK}}$  and the decimation ratio (controlled by the DR[2:0] bits in the CONFIG1 register). [Table 5](#) lists the settling time as a function of  $t_{\text{CLK}}$ .



**Figure 32. Settling Time for the Initial Conversion**

**Table 5. Settling Time for Different Data Rates**

| DR[2:0] | SETTLING TIME | UNIT             |
|---------|---------------|------------------|
| 000     | 152           | $t_{\text{CLK}}$ |
| 001     | 296           | $t_{\text{CLK}}$ |
| 010     | 584           | $t_{\text{CLK}}$ |
| 011     | 1160          | $t_{\text{CLK}}$ |
| 100     | 2312          | $t_{\text{CLK}}$ |
| 101     | 4616          | $t_{\text{CLK}}$ |
| 110     | 9224          | $t_{\text{CLK}}$ |

### 9.4.3.2 Input Signal Step

When the device is converting and there is a step change on the input signal, a delay of  $3 t_{DR}$  is required for the output data to settle. Settled data are available on the fourth DRDY pulse. Data are available to read at each DRDY low transition prior to the 4th DRDY pulse, but are recommended to be ignored. Figure 33 shows the required wait time for complete settling for an input step or input transient event on the analog input.

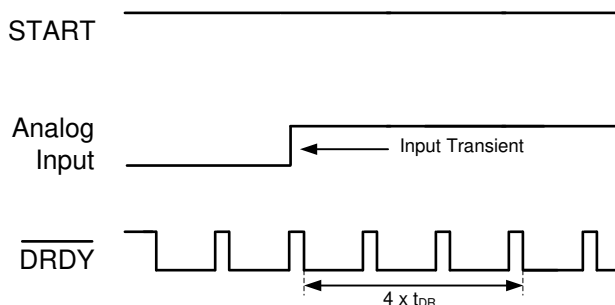
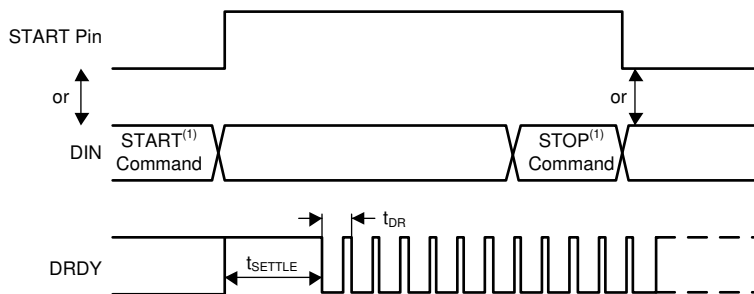


Figure 33. Settling Time for the Input Transient

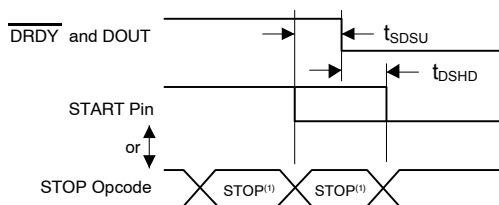
### 9.4.3.3 Continuous Conversion Mode

When the START pin is pulled high or the START command is issued, conversions continue indefinitely until the START pin is taken low or the STOP command is transmitted, as shown in Figure 34. When the START pin is pulled low or the STOP command is issued, the conversion in progress completes and the DRDY output transitions from high to low indicating that the latest data are available. Figure 35 and Table 6 illustrate the timing of where the START pin can be brought low or the STOP command can be sent relative to a completed conversion to halt further conversions. If the START pin is pulled low or if the STOP command is sent after the  $t_{DSDH}$  time, then an additional conversion takes place and completes before further conversions are halted. To continuously run the converter without commands, tie the START pin high.



(1) START and STOP commands take effect on the seventh SCLK falling edge.

Figure 34. Continuous Conversion Mode



(1) START and STOP commands take effect on the seventh SCLK falling edge at the end of the transmission.

Figure 35. START to DRDY Timing

**Table 6. Timing Characteristics for Figure 35<sup>(1)</sup>**

|            |  | MIN | UNIT      |
|------------|--|-----|-----------|
| $t_{SDSU}$ | Setup time; set the START pin low or send the STOP command before the DRDY falling edge to halt further conversions        | 16  | $t_{CLK}$ |
| $t_{DSHD}$ | Delay time; set the START pin low or send the STOP command to complete the current conversion and halt further conversions | 16  | $t_{CLK}$ |

(1) START and STOP commands take effect on the seventh SCLK falling edge at the end of the transmission.

## 9.5 Programming

### 9.5.1 SPI Interface

The SPI-compatible serial interface consists of four signals:  $\overline{CS}$ , SCLK, DIN, and DOUT. The interface is used to read conversion data, read and write registers, and control the ADS131E08S operation. The DRDY output is used as a status signal to indicate when ADC data are ready for readback. DRDY goes low when new data are available.

#### 9.5.1.1 Chip Select ( $\overline{CS}$ )

Chip select ( $\overline{CS}$ ) selects the ADS131E08S for SPI communication.  $\overline{CS}$  must remain low for the duration of the serial communication. After the serial communication is finished, wait four or more  $t_{CLK}$  cycles before taking  $\overline{CS}$  high; see the [Timing Requirements](#) section. When  $\overline{CS}$  is taken high, the serial interface is reset, SCLK and DIN are ignored (SCLK clears DRDY even when  $\overline{CS}$  is high; see [Figure 38](#) for more details), and DOUT enters a high-impedance state. DRDY asserts when data conversion is complete, regardless of whether  $\overline{CS}$  is high or low.

#### 9.5.1.2 Serial Clock (SCLK)

Use SCLK as the SPI serial clock to shift in commands and shift out data from the device. The serial clock (SCLK) features a Schmitt-triggered input and clocks data on the DIN and DOUT pins into and out of the ADS131E08S.

Care must be taken to prevent glitches on SCLK when  $\overline{CS}$  is low. Glitches as small as 1 ns in duration can be interpreted as a valid serial clock. An instruction on DIN is decoded every eight serial clocks. If instructions are suspected of being interrupted erroneously, toggle  $\overline{CS}$  high and back low to reset the SPI interface, placing the device in normal operation.

For a single device, the minimum speed needed for SCLK depends on the number of channels, number of bits of resolution, and output data rate. (For multiple cascaded devices, see the [Standard Configuration](#) section.) The SCLK rate limitation, as described by [Equation 7](#), applies to RDATA mode.

$$t_{SCLK} < (t_{DR} - 4 t_{CLK}) / (N_{BITS} \times 8 + 24)$$

where

- $N_{BITS}$  = resolution of data for the current data rate; 16 or 24 (7)

For example, if the ADS131E08S is used with an 8-kSPS mode (24-bit resolution), the minimum SCLK speed is 1.755 MHz to shift out all the data.

Data retrieval can be done either by putting the device in read data continuous mode (RDATA mode) or reading on demand using the read data command (RDATA). The SCLK rate limitation, as described by [Equation 7](#), applies to RDATA mode. When using the RDATA command, the limitation applies if data must be read in between two consecutive DRDY signals. This calculation assumes that there are no other commands issued in between data captures.

There are two methods for transmitting SCLKs to the ADS131E08S to meet the decode timing specification ( $t_{SDECODE}$ ) illustrated in [Figure 1](#) for multiple byte commands:

- SCLK can be transmitted in 8-bit bursts with a gap between bursts to maintain the  $t_{SDECODE}$  timing specification. The maximum SCLK frequency is specified in [Figure 1](#).
- A continuous SCLK stream can be sent when  $\overline{CS}$  is low. Verify that the SCLK speed meets the  $t_{SDECODE}$  timing requirement. This method is not to be confused with a free-running SCLK where SCLK also operates when  $\overline{CS}$  is high. A free-running SCLK operation is not supported by this device.

## Programming (continued)

### 9.5.1.3 Data Input (DIN)

Use the data input pin (DIN) along with SCLK to send commands and register data to the ADS131E08S. The device latches data on DIN on the SCLK falling edge.

### 9.5.1.4 Data Output (DOUT)

Use the data output pin (DOUT) with SCLK to read conversions and register data from the ADS131E08S. Data on DOUT are shifted out on the SCLK rising edge. DOUT goes to a high-impedance state when  $\overline{CS}$  is high. In read data continuous mode (see the [SPI Command Definitions](#) section for more details), the DOUT output line can also be used to indicate when new data are available. If  $\overline{CS}$  is low when new data are ready, a high-to-low transition on the DOUT line occurs synchronously with a high-to-low transition on  $\overline{DRDY}$ , as shown in [Figure 36](#). This feature can be used to minimize the number of connections between the device and system controller.

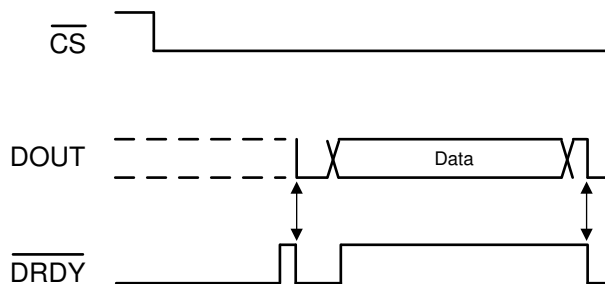


Figure 36. Using DOUT as  $\overline{DRDY}$

### 9.5.1.5 Data Ready ( $\overline{DRDY}$ )

$\overline{DRDY}$  is an output signal that transitions from high to low to indicate that new conversion data are ready.  $\overline{DRDY}$  behavior is determined by whether the device is in RDATA mode or if the RDATA command is being used to read data on demand. See the [RDATA: Start Read Data Continuous Mode](#) and [RDATA: Read Data](#) sections for further details. The  $\overline{CS}$  signal has no effect on the data-ready signal.

When reading data with the RDATA command, the read operation can overlap the next  $\overline{DRDY}$  occurrence without data corruption.

[Figure 37](#) shows the relationship between  $\overline{DRDY}$ , DOUT, and SCLK during data retrieval. DOUT transitions on the SCLK rising edge.  $\overline{DRDY}$  goes high on the first SCLK falling edge regardless of whether data are being retrieved from the device or a command is being sent through the DIN pin. Data starts with the MSB of the status word and then proceeds to the ADC channel data in sequential order (channel 1, channel 2, and so forth). Data for powered down channels appear in the data stream as 0s and are to be ignored.

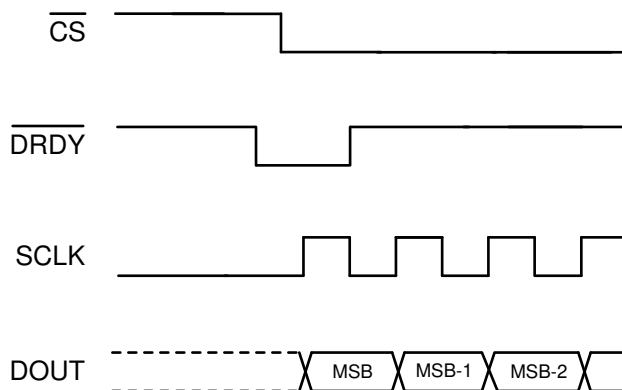
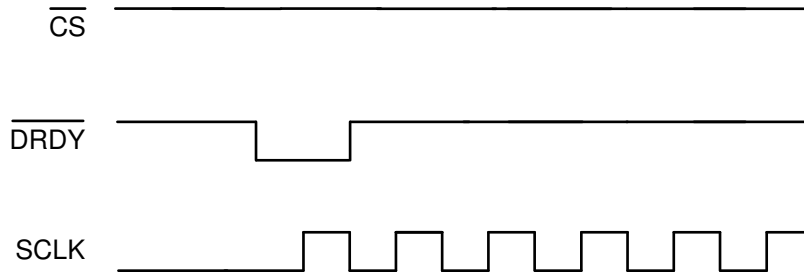


Figure 37.  $\overline{DRDY}$  Behavior with Data Retrieval

## Programming (continued)

The  $\overline{\text{DRDY}}$  signal is cleared on the first SCLK falling edge regardless of the state of  $\overline{\text{CS}}$ . This condition must be taken into consideration if the SPI bus is used to communicate with other devices on the same bus. Figure 38 shows a behavior diagram for  $\overline{\text{DRDY}}$  when SCLKs are sent with  $\overline{\text{CS}}$  high. Figure 38 shows that no data are clocked out, but the  $\overline{\text{DRDY}}$  signal is cleared.



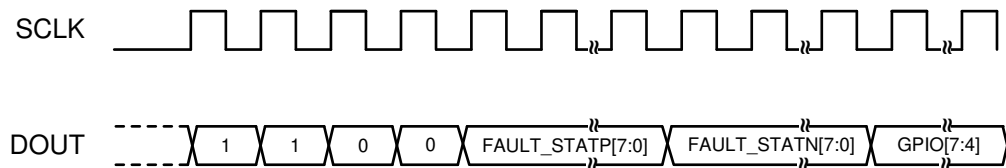
**Figure 38.  $\overline{\text{DRDY}}$  and SCLK Behavior when  $\overline{\text{CS}}$  is High**

### 9.5.2 Data Retrieval

Data retrieval can be accomplished in one of two methods. The read data continuous command (see the [RDATA: Start Read Data Continuous Mode](#) section) can be used to set the device in a mode to read the data continuously without having to send a command. The read data command (see the [RDATA: Read Data](#) section) can be used to read only one data output from the device (see the [SPI Command Definitions](#) section for more details). Conversion data are read out serially on DOUT. The MSB of the status word is clocked out on the first SCLK rising edge, followed by the ADC channel data.  $\overline{\text{DRDY}}$  returns to high on the first SCLK falling edge. DIN remains low for the entire read operation.

#### 9.5.2.1 Status Word

A status word precedes data readback and provides information on the state of the ADS131E08S. The status word is 24 bits long and contains the values for FAULT\_STATP, FAULT\_STATN, and the GPIO data bits. The content alignment is shown in Figure 39.



**Figure 39. Status Word Content**

#### NOTE

The status word length is always 24 bits. The length does not change for 32-kSPS and 64-kSPS data rates.

#### 9.5.2.2 Readback Length

The number of bits in the data output depends on the number of channels and the number of bits per channel. The data format for each channel data are two's complement and MSB first.

For the ADS131E08S with 32-kSPS and 64-kSPS data rates, the number of data bits is: 24 status bits + 16 bits per channel × 8 channels = 152 bits.

For all other data rates, the number of data bits is: 24 status bits + 24 bits per channel × 8 channels = 216 bits.

When channels are powered down using the user register setting, the corresponding channel output is set to 0. However, the sequence of channel outputs remains the same.

## Programming (continued)

The ADS131E08S also provides a multiple data readback feature. Data can be read out multiple times by simply providing more SCLKs, in which case the MSB data byte repeats after reading the last byte. The DAISY\_IN bit in the CONFIG1 register must be set to 1 for multiple read backs.

### 9.5.2.3 Data Format

The DR[2:0] bits in the CONFIG1 register sets the output resolution for the ADS131E08S. When DR[2:0] = 000 or 001, the 16 bits of data per channel are sent in binary twos complement format, MSB first. The size of one code (LSB) is calculated using [Equation 8](#).

$$1 \text{ LSB} = (2 \times V_{\text{REF}} / \text{Gain}) / 2^{16} = \text{FS} / 2^{15} \quad (8)$$

A positive full-scale input [ $V_{\text{IN}} \geq (\text{FS} - 1 \text{ LSB}) = (V_{\text{REF}} / \text{Gain} - 1 \text{ LSB})$ ] produces an output code of 7FFFh and a negative full-scale input ( $V_{\text{IN}} \leq -\text{FS} = -V_{\text{REF}} / \text{Gain}$ ) produces an output code of 8000h. The output clips at these codes for signals that exceed full-scale.

[Table 7](#) summarizes the ideal output codes for different input signals.

**Table 7. 16-Bit Ideal Output Code versus Input Signal**

| INPUT SIGNAL, $V_{\text{IN}}$<br>$V_{(\text{INxP})} - V_{(\text{INxN})}$ | IDEAL OUTPUT CODE <sup>(1)</sup> |
|--|----------------------------------|
| $\geq \text{FS} (2^{15} - 1) / 2^{15}$                                   | 7FFFh                            |
| $\text{FS} / 2^{15}$   | 0001h                            |
| 0  | 0000h                            |
| $-\text{FS} / 2^{15}$  | FFFFh                            |
| $\leq -\text{FS}$  | 8000h                            |

(1) Excludes the effects of noise, INL, offset, and gain errors.

When DR[2:0] = 010, 011, 100, 101, or 110, the ADS131E08S outputs 24 bits of data per channel in binary twos complement format, MSB first. The size of one code (LSB) is calculated using [Equation 9](#).

$$1 \text{ LSB} = (2 \times V_{\text{REF}} / \text{Gain}) / 2^{24} = \text{FS} / 2^{23} \quad (9)$$

A positive full-scale input [ $V_{\text{IN}} \geq (\text{FS} - 1 \text{ LSB}) = (V_{\text{REF}} / \text{Gain} - 1 \text{ LSB})$ ] produces an output code of 7FFFFFFh and a negative full-scale input ( $V_{\text{IN}} \leq -\text{FS} = -V_{\text{REF}} / \text{Gain}$ ) produces an output code of 800000h. The output clips at these codes for signals that exceed full-scale.

[Table 8](#) summarizes the ideal output codes for different input signals.

**Table 8. 24-Bit Ideal Output Code versus Input Signal**

| INPUT SIGNAL, $V_{\text{IN}}$<br>$V_{(\text{INxP})} - V_{(\text{INxN})}$ | IDEAL OUTPUT CODE <sup>(1)</sup> |
|--|----------------------------------|
| $\geq \text{FS} (2^{23} - 1) / 2^{23}$                                   | 7FFFFFFh                         |
| $\text{FS} / 2^{23}$   | 000001h                          |
| 0  | 000000h                          |
| $-\text{FS} / 2^{23}$  | FFFFFFh                          |
| $\leq -\text{FS}$  | 800000h                          |

(1) Excludes the effects of noise, INL, offset, and gain errors.

### 9.5.3 SPI Command Definitions

The ADS131E08S provides flexible configuration control. The commands, summarized in [Table 9](#), control and configure device operation. The commands are stand-alone, except for the register read and register write operations that require a second command byte to include additional data.  $\overline{CS}$  can be taken high or held low between commands but must stay low for the entire command operation (including multibyte commands). System commands and the RDATA command are decoded by the ADS131E08S on the seventh SCLK falling edge. The register read and write commands are decoded on the eighth SCLK falling edge. Make sure to follow the SPI timing requirements when pulling  $\overline{CS}$  high after issuing a command.

**Table 9. Command Definitions**

| COMMAND                       | DESCRIPTION   | FIRST BYTE                          | SECOND BYTE                   |
|-------------------------------|---|-------------------------------------|-------------------------------|
| <b>SYSTEM COMMANDS</b>        |   |                                     |                               |
| WAKEUP                        | Wake-up from standby mode   | 0000 0010 (02h)                     |                               |
| STANDBY                       | Enter standby mode  | 0000 0100 (04h)                     |                               |
| RESET                         | Reset the device  | 0000 0110 (06h)                     |                               |
| START                         | Start or restart (synchronize) conversions  | 0000 1000 (08h)                     |                               |
| STOP                          | Stop conversions  | 0000 1010 (0Ah)                     |                               |
| OFFSETCAL                     | Channel offset calibration  | 0001 1010 (1Ah)                     |                               |
| <b>DATA READ COMMANDS</b>     |   |                                     |                               |
| RDATAC                        | Enable read data continuous mode. This mode is the default mode at power-up. <sup>(1)</sup> | 0001 0000 (10h)                     |                               |
| SDATAC                        | Stop read data continuous mode  | 0001 0001 (11h)                     |                               |
| RDATA                         | Read data by command  | 0001 0010 (12h)                     |                               |
| <b>REGISTER READ COMMANDS</b> |   |                                     |                               |
| RREG                          | Read $n$ $nnnn$ registers starting at address $r$ $rrrr$                                    | 001 $r$ $rrrr$ (2xh) <sup>(2)</sup> | 000 $n$ $nnnn$ <sup>(2)</sup> |
| WREG                          | Write $n$ $nnnn$ registers starting at address $r$ $rrrr$                                   | 010 $r$ $rrrr$ (4xh) <sup>(2)</sup> | 000 $n$ $nnnn$ <sup>(2)</sup> |

(1) When in RDATAC mode, the RREG command is ignored.

(2)  $n$   $nnnn$  = number of registers to be read or written – 1. For example, to read or write three registers, set  $n$   $nnnn$  = 0 (0010).  $r$   $rrrr$  = the starting register address for read and write commands.

#### 9.5.3.1 WAKEUP: Exit STANDBY Mode

The WAKEUP command exits the low-power standby mode; see the [STANDBY: Enter STANDBY Mode](#) section. Be sure to allow enough time for all circuits in STANDBY mode to power-up (see the [Electrical Characteristics](#) table for details). There are no SCLK rate restrictions for this command and it can be issued at any time. Following the WAKEUP command, wait  $4 t_{CLK}$  cycles before sending another command.

#### 9.5.3.2 STANDBY: Enter STANDBY Mode

The STANDBY command enters low-power standby mode. All circuits in the device are powered down except for the reference section. The standby mode power consumption is specified in the [Electrical Characteristics](#) table. There are no SCLK rate restrictions for this command and it can be issued at any time. Do not send any other command other than the WAKEUP command after the device enters standby mode.

#### 9.5.3.3 RESET: Reset Registers to Default Values

The RESET command resets the digital filter and returns all register settings to their default values; see the [Reset](#) section for more details. There are no SCLK rate restrictions for this command and it can be issued at any time.  $18 t_{CLK}$  cycles are required to execute the RESET command. Do not send any commands during this time.

#### 9.5.3.4 START: Start Conversions

The START command starts data conversions. Tie the START pin low to control conversions by the START and STOP commands. If conversions are in progress, this command has no effect. The STOP command is used to stop conversions. If the START command is immediately followed by a STOP command, then there must be a gap of  $4 t_{CLK}$  cycles between the commands. The current conversion completes before further conversions are halted. There are no SCLK rate restrictions for this command and it can be issued at any time.



### 9.5.3.5 STOP: Stop Conversions

The STOP command stops conversions. Tie the START pin low to control conversions by the START and STOP commands. When the STOP command is sent, the conversion in progress completes and further conversions are stopped. If conversions are already stopped, this command has no effect.

### 9.5.3.6 OFFSETCAL: Channel Offset Calibration

The OFFSETCAL command is used to cancel the offset of each channel. The OFFSETCAL command is recommended to be issued every time there is a change in PGA gain settings.

When the OFFSETCAL command is issued, the device configures itself to the lowest data rate (DR = 110, 1 kSPS) and performs the following steps for each channel:

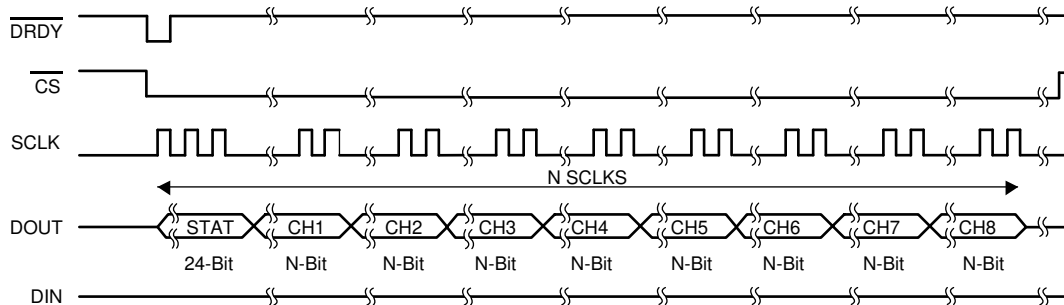
- Short the analog inputs of each channel together and connect them to mid-supply  $[(AVDD + AVSS) / 2]$
- Reset the digital filter (requires a filter settling time =  $4 t_{DR}$ )
- Collect 16 data points for calibration =  $15 t_{DR}$

Total calibration time =  $(19 t_{DR} \times 8) + 1 \text{ ms} = 153 \text{ ms}$ .

### 9.5.3.7 RDATA: Start Read Data Continuous Mode

The RDATA command enables read data continuous mode. In this mode, conversion data are retrieved from the device without the need to issue subsequent RDATA commands. This mode places the conversion data in the output register with every DRDY falling edge so that the data can be shifted out directly. Shift out all data from the device before data are updated with a new DRDY falling edge to avoid losing data. The read data continuous mode is the default mode of the device.

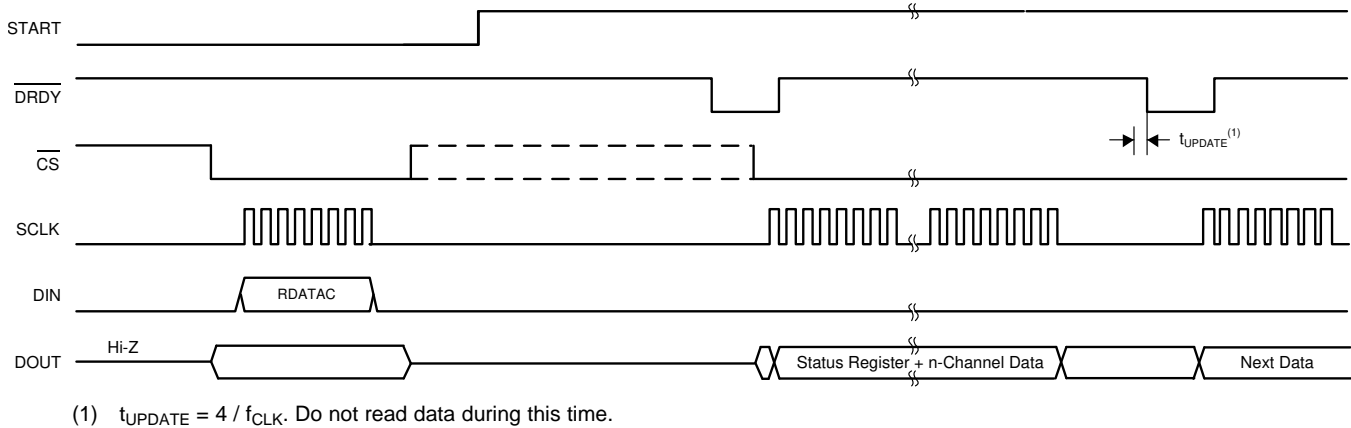
Figure 40 shows the ADS131E08S data output protocol when using RDATA mode.



NOTE:  $X \text{ SCLKs} = (N \text{ bits})(8 \text{ channels}) + 24 \text{ bits}$ . N-bit is dependent upon the DR[2:0] registry bit settings (N = 16 or 24).

**Figure 40. ADS131E08S SPI Bus Data Output (Eight Channels)**

RDATA mode is stopped by the stop read data continuous (SDATAC) command. If the device is in RDATA mode, an SDATAC command must be issued before any other commands can be sent to the device. There are no SCLK rate restrictions for this command. However, subsequent data retrieval SCLKs or the SDATAC command must wait at least  $4 t_{CLK}$  cycles for the command to execute. RDATA timing is shown in Figure 41. There is a *keep out* zone of  $4 t_{CLK}$  cycles around the DRDY pulse where this command cannot be issued in. If no data are retrieved from the device and CS is held low, a high-to-low DOUT transition occurs synchronously with DRDY. To retrieve data from the device after the RDATA command is issued, make sure either the START pin is high or the START command is issued. Figure 41 shows the recommended way to use the RDATA command. Read data continuous mode is ideally-suited for applications such as data loggers or recorders where registers are set one time and do not need to be reconfigured.



**Figure 41. Reading Data in RDATA Mode**

### 9.5.3.8 SDATAC: Stop Read Data Continuous Mode

The SDATAC command stops the read data continuous mode. There are no SCLK rate restrictions for this command, but wait at least  $4 t_{CLK}$  cycles before issuing any further commands. Use the read data (RDATA) command to read data when in SDATAC mode.

### 9.5.3.9 RDATA: Read Data

Use the RDATA command to read conversion data when not in read data continuous mode. Issue this command after DRDY goes low to read the conversion result (in stop read data continuous mode). There are no SCLK rate restrictions for this command, and there is no wait time needed for subsequent commands or data retrieval SCLKs. To use the RDATA command, the device must be actively converting (the START pin must be held high or the START command must be issued). When reading data with the RDATA command, the read operation can overlap the next DRDY occurrence without data corruption. RDATA can be sent multiple times after new data are available, thus supporting multiple data readback. Figure 42 illustrates the recommended way to use the RDATA command. RDATA is best suited for systems where register settings must be read or the user does not have precise control over timing. Reading data using the RDATA command is recommended to avoid data corruption when the DRDY signal is not monitored.

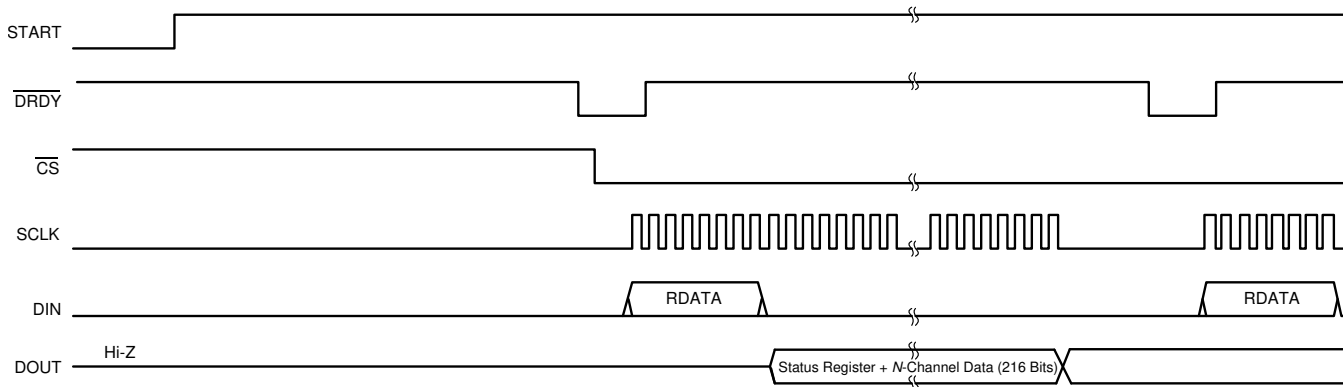


Figure 42. RDATA Usage

9.5.3.10 RREG: Read from Register

The RREG command reads the contents of one or more device configuration registers. When the device is in read data continuous mode, an SDATAC command must be issued before the RREG command can be issued. The RREG command can be issued at any time. The RREG command is a two-byte command on DIN followed by the register data output on DOUT. The command is constructed as follows:

First byte: 001r rrrr, where r rrrr is the starting register address.

Second byte: 000n nnnn, where n nnnn is the number of registers to read – 1.

The 17th SCLK rising edge of the operation clocks out the MSB of the first register, as shown in Figure 43. However, because this command is a multibyte command, there are SCLK rate restrictions depending on how the SCLKs are issued; see Figure 1. CS must be low for the entire command.

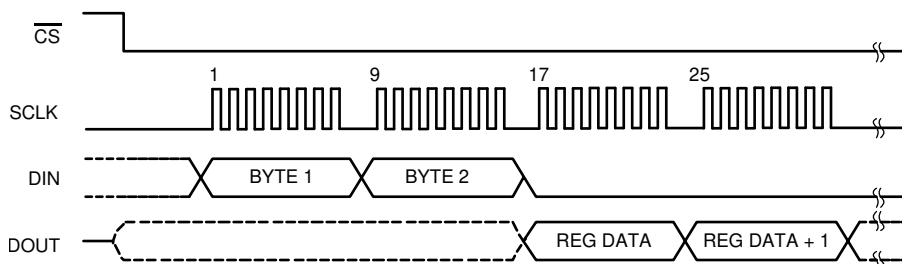


Figure 43. RREG Command Example: Read Two Registers Starting from Register 00h (ID Register) (BYTE 1 = 0010 0000, BYTE 2 = 0000 0001)

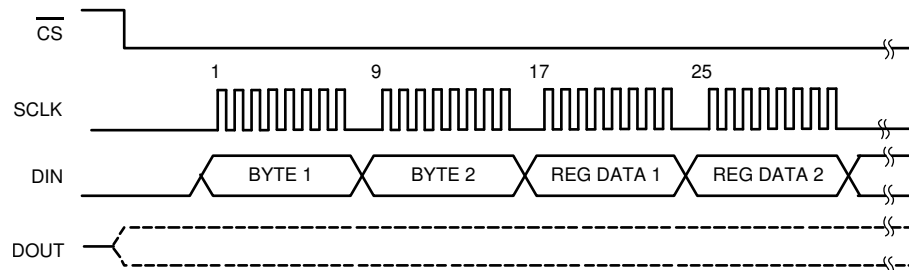
### 9.5.3.11 WREG: Write to Register

The WREG command writes data to one or more device configuration registers. The WREG command is a two-byte command followed by the register data input. The command is constructed as follows:

First byte:  $010r\ rrrr$ , where  $r\ rrrr$  is the starting register address.

Second byte:  $000n\ nnnn$ , where  $n\ nnnn$  is the number of registers to write – 1.

After the two command bytes, the register data follows (in MSB-first format), as shown in Figure 44. For multiple register writes across reserved registers (0Dh–11h), these registers must be included in the register count and the default setting of the reserved register must be written. The WREG command can be issued at any time. However, because this command is a multibyte command, there are SCLK rate restrictions depending on how the SCLKs are issued; see Figure 1.  $\overline{CS}$  must be low for the entire command.



**Figure 44. WREG Command Example: Write Two Registers Starting from 00h (ID Register)  
(BYTE 1 = 0100 0000, BYTE 2 = 0000 0001)**

### 9.5.3.12 Sending Multibyte Commands

The ADS131E08S serial interface decodes commands in bytes and requires  $4\ t_{CLK}$  cycles to decode and execute each command. This timing requirement can place restrictions on the SCLK speed and operational modes. For example:

Assuming CLK is 2.048 MHz, then  $t_{SDECODE}$  ( $4\ t_{CLK}$ ) is 1.96  $\mu$ s. When SCLK is 16 MHz, one byte can be transferred in 0.5  $\mu$ s. This byte transfer time does not meet the  $t_{SDECODE}$  specification; therefore, a delay of 1.46  $\mu$ s ( $1.96\ \mu$ s – 0.5  $\mu$ s) must be inserted after the first byte and before the second byte. If SCLK is 4 MHz, one byte is transferred in 2  $\mu$ s. Because this transfer time exceeds the  $t_{SDECODE}$  specification ( $2\ \mu$ s > 1.96  $\mu$ s), the processor can send subsequent bytes without delay.

## 9.6 Register Map

Table 10 describes the various ADS131E08S registers.

**Table 10. Register Map<sup>(1)</sup>**

| ADDRESS  | REGISTER                    | RESET VALUE | BIT 7        | BIT 6      | BIT 5      | BIT 4      | BIT 3      | BIT 2      | BIT 1          | BIT 0      |
|--|-----------------------------|-------------|--------------|------------|------------|------------|------------|------------|----------------|------------|
| <b>DEVICE SETTINGS (Read-Only Registers)</b>               |                             |             |              |            |            |            |            |            |                |            |
| 00h  | <a href="#">ID</a>          | D2h         | 1            | 1          | REV_ID     | 1          | 0          | 0          | 1              | 0          |
| <b>GLOBAL SETTINGS ACROSS CHANNELS</b>                     |                             |             |              |            |            |            |            |            |                |            |
| 01h  | <a href="#">CONFIG1</a>     | 94h         | 1            | DAISY_IN   | CLK_EN     | 1          | 0          | DR[2:0]    |                |            |
| 02h  | <a href="#">CONFIG2</a>     | E0h         | 1            | 1          | 1          | INT_TEST   | 0          | TEST_AMP0  | TEST_FREQ[1:0] |            |
| 03h  | <a href="#">CONFIG3</a>     | E0h         | 1            | 1          | VREF_4V    | 0          | OPAMP_REF  | PDB_OPAMP  | 0              | 0          |
| 04h  | <a href="#">FAULT</a>       | 00h         | COMP_TH[2:0] |            |            | 0          | 0          | 0          | 0              | 0          |
| <b>CHANNEL-SPECIFIC SETTINGS</b>                           |                             |             |              |            |            |            |            |            |                |            |
| 05h  | <a href="#">CH1SET</a>      | 10h         | PD1          | GAIN1[2:0] |            |            | 0          | MUX1[2:0]  |                |            |
| 06h  | <a href="#">CH2SET</a>      | 10h         | PD2          | GAIN2[2:0] |            |            | 0          | MUX2[2:0]  |                |            |
| 07h  | <a href="#">CH3SET</a>      | 10h         | PD3          | GAIN3[2:0] |            |            | 0          | MUX3[2:0]  |                |            |
| 08h  | <a href="#">CH4SET</a>      | 10h         | PD4          | GAIN4[2:0] |            |            | 0          | MUX4[2:0]  |                |            |
| 09h  | <a href="#">CH5SET</a>      | 10h         | PD5          | GAIN5[2:0] |            |            | 0          | MUX5[2:0]  |                |            |
| 0Ah  | <a href="#">CH6SET</a>      | 10h         | PD6          | GAIN6[2:0] |            |            | 0          | MUX6[2:0]  |                |            |
| 0Bh  | <a href="#">CH7SET</a>      | 10h         | PD7          | GAIN7[2:0] |            |            | 0          | MUX7[2:0]  |                |            |
| 0Ch  | <a href="#">CH8SET</a>      | 10h         | PD8          | GAIN8[2:0] |            |            | 0          | MUX8[2:0]  |                |            |
| <b>FAULT DETECT STATUS REGISTERS (Read-Only Registers)</b> |                             |             |              |            |            |            |            |            |                |            |
| 12h  | <a href="#">FAULT_STATP</a> | 00h         | IN8P_FAULT   | IN7P_FAULT | IN6P_FAULT | IN5P_FAULT | IN4P_FAULT | IN3P_FAULT | IN2P_FAULT     | IN1P_FAULT |
| 13h  | <a href="#">FAULT_STATN</a> | 00h         | IN8N_FAULT   | IN7N_FAULT | IN6N_FAULT | IN5N_FAULT | IN4N_FAULT | IN3N_FAULT | IN2N_FAULT     | IN1N_FAULT |
| <b>GPIO SETTINGS</b>                                       |                             |             |              |            |            |            |            |            |                |            |
| 14h  | <a href="#">GPIO</a>        | 0Fh         | GPIOD4       | GPIOD3     | GPIOD2     | GPIOD1     | GPIOC4     | GPIOC3     | GPIOC2         | GPIOC1     |

(1) When using multiple register write commands, registers 0Dh, 0Eh, 0Fh, 10h, and 11h must be written to 00h.

## 9.6.1 Register Descriptions

### 9.6.1.1 ID: ID Control Register (Factory-Programmed, Read-Only) (address = 00h) [reset = D2h]

This register is programmed during device manufacture to indicate device characteristics.

**Figure 45. ID: ID Control Register**

| 7    | 6    | 5      | 4    | 3    | 2    | 1    | 0    |
|------|------|--------|------|------|------|------|------|
| 1    | 1    | REV_ID | 1    | 0    | 0    | 1    | 0    |
| R-1h | R-1h | R-1h   | R-1h | R-0h | R-0h | R-1h | R-0h |

LEGEND: R = Read only; -n = value after reset

**Table 11. ID: ID Control Register Field Descriptions**

| Bit | Field    | Type | Reset | Description   |
|-----|----------|------|-------|---|
| 7-6 | Reserved | R    | 3h    | <b>Reserved.</b><br>Always reads 1.   |
| 5   | REV_ID   | R    | 0h    | <b>Device family identification.</b><br>This bit indicates the device family.<br>0 = ADS131E08S<br>1 = Reserved |
| 4   | Reserved | R    | 1h    | <b>Reserved.</b><br>Always reads 1.   |
| 3-2 | Reserved | R    | 0h    | <b>Reserved.</b><br>Always reads 0.   |
| 1   | Reserved | R    | 1h    | <b>Reserved.</b><br>Always reads 1.   |
| 0   | Reserved | R    | 0h    | <b>Reserved.</b><br>Always reads 0.   |

**9.6.1.2 CONFIG1: Configuration Register 1 (address = 01h) [reset = 94h]**

This register configures each ADC channel sample rate.

**Figure 46. CONFIG1: Configuration Register 1**

| 7      | 6        | 5      | 4      | 3      | 2       | 1 | 0 |
|--------|----------|--------|--------|--------|---------|---|---|
| 1      | DAISY_IN | CLK_EN | 1      | 0      | DR[2:0] |   |   |
| R/W-1h | R/W-0h   | R/W-0h | R/W-1h | R/W-0h | R/W-4h  |   |   |

LEGEND: R/W = Read/Write; -n = value after reset

**Table 12. CONFIG1: Configuration Register 1 Field Descriptions**

| Bit | Field    | Type | Reset | Description   |
|-----|----------|------|-------|---|
| 7   | Reserved | R/W  | 1h    | <b>Reserved.</b><br>Must be set to 1. This bit reads high.  |
| 6   | DAISY_IN | R/W  | 0h    | <b>Daisy-chain and multiple data readback mode.</b><br>This bit determines which mode is enabled.<br>0 = Daisy-chain mode<br>1 = Multiple data readback mode  |
| 5   | CLK_EN   | R/W  | 0h    | <b>CLK connection<sup>(1)</sup>.</b><br>This bit determines if the internal oscillator signal is connected to the CLK pin when the CLKSEL pin = 1.<br>0 = Oscillator clock output disabled<br>1 = Oscillator clock output enabled |
| 4   | Reserved | R/W  | 1h    | <b>Reserved.</b><br>Must be set to 1. This bit reads high.  |
| 3   | Reserved | R/W  | 0h    | <b>Reserved.</b><br>Must be set to 0. This bit reads low.   |
| 2-0 | DR[2:0]  | R/W  | 4h    | <b>Output data rate.</b><br>These bits determine the output data rate and resolution; see <a href="#">Table 13</a> for details.   |

(1) Additional power is consumed when driving external devices.

**Table 13. Data Rate Settings**

| DR[2:0] | RESOLUTION    | DATA RATE (kSPS) <sup>(1)</sup> |
|---------|---------------|---------------------------------|
| 000     | 16-bit output | 64                              |
| 001     | 16-bit output | 32                              |
| 010     | 24-bit output | 16                              |
| 011     | 24-bit output | 8                               |
| 100     | 24-bit output | 4                               |
| 101     | 24-bit output | 2                               |
| 110     | 24-bit output | 1                               |
| 111     | Do not use    | NA                              |

(1) Where  $f_{CLK} = 2.048$  MHz. Data rates scale with master clock frequency.

**9.6.1.3 CONFIG2: Configuration Register 2 (address = 02h) [reset = 00h]**

 This register configures the test signal generation; see the [Input Multiplexer](#) section for more details.

**Figure 47. CONFIG2: Configuration Register 2**

| 7      | 6      | 5      | 4        | 3      | 2        | 1              | 0 |
|--------|--------|--------|----------|--------|----------|----------------|---|
| 1      | 1      | 1      | INT_TEST | 0      | TEST_AMP | TEST_FREQ[1:0] |   |
| R/W-1h | R/W-1h | R/W-1h | R/W-0h   | R/W-0h | R/W-0h   | R/W-0h         |   |

LEGEND: R/W = Read/Write; -n = value after reset

**Table 14. CONFIG2: Configuration Register 2 Field Descriptions**

| Bit | Field          | Type | Reset | Description   |
|-----|----------------|------|-------|---|
| 7-5 | Reserved       | R/W  | 1h    | <b>Reserved.</b><br>Must be set to 1. This bit reads high.  |
| 4   | INT_TEST       | R/W  | 0h    | <b>Test signal source.</b><br>This bit determines the source for the test signal.<br>0 = Test signals are driven externally<br>1 = Test signals are generated internally                            |
| 3   | Reserved       | R/W  | 0h    | <b>Reserved.</b><br>Must be set to 0. This bit reads low.   |
| 2   | TEST_AMP       | R/W  | 0h    | <b>Test signal amplitude.</b><br>These bits determine the calibration signal amplitude.<br>0 = $1 \times -(V_{(VREFP)} - V_{(VREFN)}) / 2400$<br>1 = $2 \times -(V_{(VREFP)} - V_{(VREFN)}) / 2400$ |
| 1-0 | TEST_FREQ[1:0] | R/W  | 0h    | <b>Test signal frequency.</b><br>These bits determine the test signal frequency.<br>00 = Pulsed at $f_{CLK} / 2^{21}$<br>01 = Pulsed at $f_{CLK} / 2^{20}$<br>10 = Not used<br>11 = At dc           |



**9.6.1.4 CONFIG3: Configuration Register 3 (address = 03h) [reset = E0h]**

This register configures the reference and internal amplifier operation.

**Figure 48. CONFIG3: Configuration Register 3**

| 7      | 6      | 5       | 4      | 3         | 2         | 1      | 0    |
|--------|--------|---------|--------|-----------|-----------|--------|------|
| 1      | 1      | VREF_4V | 0      | OPAMP_REF | PDB_OPAMP | 0      | 0    |
| R/W-1h | R/W-1h | R/W-1h  | R/W-0h | R/W-0h    | R/W-0h    | R/W-0h | R-0h |

LEGEND: R/W = Read/Write; -n = value after reset

**Table 15. CONFIG3: Configuration Register 3 Field Descriptions**

| Bit | Field     | Type | Reset | Description  |
|-----|-----------|------|-------|--|
| 7-6 | Reserved  | R/W  | 1h    | <b>Reserved.</b><br>Must be set to 1. This bit reads high.   |
| 5   | VREF_4V   | R/W  | 1h    | <b>Internal reference voltage.</b><br>This bit determines the reference voltage, VREFP.<br>0 = VREFP is set to 2.4 V<br>1 = VREFP is set to 4 V  |
| 4   | Reserved  | R/W  | 0h    | <b>Reserved.</b><br>Must be set to 0. This bit reads low.  |
| 3   | OPAMP_REF | R/W  | 0h    | <b>Op amp reference.</b><br>This bit determines whether the op amp noninverting input connects to the OPAMPP pin or to the internally-derived supply (AVDD + AVSS) / 2.<br>0 = Noninverting input connected to the OPAMPP pin<br>1 = Noninverting input connected to (AVDD + AVSS) / 2 |
| 2   | PDB_OPAMP | R/W  | 0h    | <b>Op amp power-down.</b><br>This bit powers down the op amp.<br>0 = Power-down op amp<br>1 = Enable op amp  |
| 1   | Reserved  | R/W  | 0h    | <b>Reserved.</b><br>Must be set to 0. Reads back as 0.   |
| 0   | Reserved  | R    | 0h    | <b>Reserved.</b><br>Reads back as either 1 or 0.   |

**9.6.1.5 FAULT: Fault Detect Control Register (address = 04h) [reset = 00h]**

This register configures the fault detection operation.

**Figure 49. FAULT: Fault Detect Control Register**

| 7            | 6 | 5 | 4      | 3      | 2      | 1      | 0      |
|--------------|---|---|--------|--------|--------|--------|--------|
| COMP_TH[2:0] |   |   | 0      | 0      | 0      | 0      | 0      |
| R/W-0h       |   |   | R/W-0h | R/W-0h | R/W-0h | R/W-0h | R/W-0h |

LEGEND: R/W = Read/Write; -n = value after reset

**Table 16. FAULT: Fault Detect Control Register Field Descriptions**

| Bit | Field        | Type | Reset | Description  |
|-----|--------------|------|-------|--|
| 7-5 | COMP_TH[2:0] | R/W  | 0h    | <b>Fault detect comparator threshold.</b><br>These bits determine the fault detect comparator threshold level setting. See the <a href="#">Input Out-of-Range Detection</a> section for a detailed description.<br><b>Comparator high-side threshold.</b><br>000 = 95%<br>001 = 92.5%<br>010 = 90%<br>011 = 87.5%<br>100 = 85%<br>101 = 80%<br>110 = 75%<br>111 = 70%<br><b>Comparator low-side threshold.</b><br>000 = 5%<br>001 = 7.5%<br>010 = 10%<br>011 = 12.5%<br>100 = 15%<br>101 = 20%<br>110 = 25%<br>111 = 30% |
| 4-0 | Reserved     | R/W  | 00h   | <b>Reserved.</b><br>Must be set to 0. This bit reads low.  |

**9.6.1.6 CHnSET: Individual Channel Settings (address = 05h to 0Ch) [reset = 10h]**

This register configures the power mode, PGA gain, and multiplexer settings for the channels; see the [Input Multiplexer](#) section for details. CHnSET are similar to CH1SET, corresponding to the respective channels (see [Table 10](#)).

**Figure 50. CHnSET<sup>(1)</sup>: Individual Channel Settings**

| 7      | 6          | 5 | 4 | 3      | 2         | 1 | 0 |
|--------|------------|---|---|--------|-----------|---|---|
| PDn    | GAINn[2:0] |   |   | 0      | MUXn[2:0] |   |   |
| R/W-0h | R/W-1h     |   |   | R/W-0h | R/W-0h    |   |   |

LEGEND: R/W = Read/Write; -n = value after reset

(1) n = 1 to 8.

**Table 17. CHnSET: Individual Channel Settings Field Descriptions**

| Bit | Field      | Type | Reset | Description   |
|-----|------------|------|-------|---|
| 7   | PDn        | R/W  | 0h    | <b>Power-down (n = individual channel number).</b><br>This bit determines the channel power mode for the corresponding channel.<br>0 = Normal operation<br>1 = Channel power-down   |
| 6-4 | GAINn[2:0] | R/W  | 1h    | <b>PGA gain (n = individual channel number).</b><br>These bits determine the PGA gain setting.<br>000 = Do not use<br>001 = 1<br>010 = 2<br>011 = Do not use<br>100 = 4<br>101 = 8<br>110 = 12<br>111 = Do not use  |
| 3   | Reserved   | R/W  | 0h    | <b>Reserved.</b><br>Must be set to 0. This bit reads low.   |
| 2-0 | MUXn[2:0]  | R/W  | 0h    | <b>Channel input (n = individual channel number).</b><br>These bits determine the channel input selection.<br>000 = Normal input<br>001 = Input shorted to (AVDD + AVSS) / 2 (for offset or noise measurements)<br>010 = Do not use<br>011 = MVDD for supply measurement<br>100 = Temperature sensor<br>101 = Test signal<br>110 = Do not use<br>111 = Do not use |

**9.6.1.7 FAULT\_STATP: Fault Detect Positive Input Status (address = 12h) [reset = 00h]**

This register stores the status of whether the positive input on each channel has a fault or not. Faults are determined by comparing the input pin to a threshold set by [Table 16](#); see the [Input Out-of-Range Detection](#) section for details.

**Figure 51. FAULT\_STATP: Fault Detect Positive Input Status**

| 7          | 6          | 5          | 4          | 3          | 2          | 1          | 0          |
|------------|------------|------------|------------|------------|------------|------------|------------|
| IN8P_FAULT | IN7P_FAULT | IN6P_FAULT | IN5P_FAULT | IN4P_FAULT | IN3P_FAULT | IN2P_FAULT | IN1P_FAULT |
| R-0h       | R-0h       | R-0h       | R-0h       | R-0h       | R-0h       | R-0h       | R-0h       |

LEGEND: R = Read only; -n = value after reset

**Table 18. FAULT\_STATP: Fault Detect Positive Input Status Field Descriptions**

| Bit | Field      | Type | Reset | Description   |
|-----|------------|------|-------|---|
| 7   | IN8P_FAULT | R    | 0h    | <b>IN8P threshold detect.</b><br>0 = Channel 8 positive input pin does not exceed threshold set<br>1 = Channel 8 positive input pin exceeds threshold set |
| 6   | IN7P_FAULT | R    | 0h    | <b>IN7P threshold detect.</b><br>0 = Channel 7 positive input pin does not exceed threshold set<br>1 = Channel 7 positive input pin exceeds threshold set |
| 5   | IN6P_FAULT | R    | 0h    | <b>IN6P threshold detect.</b><br>0 = Channel 6 positive input pin does not exceed threshold set<br>1 = Channel 6 positive input pin exceeds threshold set |
| 4   | IN5P_FAULT | R    | 0h    | <b>IN5P threshold detect.</b><br>0 = Channel 5 positive input pin does not exceed threshold set<br>1 = Channel 5 positive input pin exceeds threshold set |
| 3   | IN4P_FAULT | R    | 0h    | <b>IN4P threshold detect.</b><br>0 = Channel 4 positive input pin does not exceed threshold set<br>1 = Channel 4 positive input pin exceeds threshold set |
| 2   | IN3P_FAULT | R    | 0h    | <b>IN3P threshold detect.</b><br>0 = Channel 3 positive input pin does not exceed threshold set<br>1 = Channel 3 positive input pin exceeds threshold set |
| 1   | IN2P_FAULT | R    | 0h    | <b>IN2P threshold detect.</b><br>0 = Channel 2 positive input pin does not exceed threshold set<br>1 = Channel 2 positive input pin exceeds threshold set |
| 0   | IN1P_FAULT | R    | 0h    | <b>IN1P threshold detect.</b><br>0 = Channel 1 positive input pin does not exceed threshold set<br>1 = Channel 1 positive input pin exceeds threshold set |

**9.6.1.8 FAULT\_STATN: Fault Detect Negative Input Status (address = 13h) [reset = 00h]**

This register stores the status of whether the negative input on each channel has a fault or not. Faults are determined by comparing the input pin to a threshold set by [Table 16](#); see the [Input Out-of-Range Detection](#) section for details.

**Figure 52. FAULT\_STATN: Fault Detect Negative Input Status**

| 7          | 6          | 5          | 4          | 3          | 2          | 1          | 0          |
|------------|------------|------------|------------|------------|------------|------------|------------|
| IN8N_FAULT | IN7N_FAULT | IN6N_FAULT | IN5N_FAULT | IN4N_FAULT | IN3N_FAULT | IN2N_FAULT | IN1N_FAULT |
| R-0h       | R-0h       | R-0h       | R-0h       | R-0h       | R-0h       | R-0h       | R-0h       |

LEGEND: R = Read only; -n = value after reset

**Table 19. FAULT\_STATN: Fault Detect Negative Input Status Field Descriptions**

| Bit | Field      | Type | Reset | Description   |
|-----|------------|------|-------|---|
| 7   | IN8N_FAULT | R    | 0h    | <b>IN8N threshold detect.</b><br>0 = Channel 8 negative input pin does not exceed threshold set<br>1 = Channel 8 negative input pin exceeds threshold set |
| 6   | IN7N_FAULT | R    | 0h    | <b>IN7N threshold detect.</b><br>0 = Channel 7 negative input pin does not exceed threshold set<br>1 = Channel 7 negative input pin exceeds threshold set |
| 5   | IN6N_FAULT | R    | 0h    | <b>IN6N threshold detect.</b><br>0 = Channel 6 negative input pin does not exceed threshold set<br>1 = Channel 6 negative input pin exceeds threshold set |
| 4   | IN5N_FAULT | R    | 0h    | <b>IN5N threshold detect.</b><br>0 = Channel 5 negative input pin does not exceed threshold set<br>1 = Channel 5 negative input pin exceeds threshold set |
| 3   | IN4N_FAULT | R    | 0h    | <b>IN4N threshold detect.</b><br>0 = Channel 4 negative input pin does not exceed threshold set<br>1 = Channel 4 negative input pin exceeds threshold set |
| 2   | IN3N_FAULT | R    | 0h    | <b>IN3N threshold detect.</b><br>0 = Channel 3 negative input pin does not exceed threshold set<br>1 = Channel 3 negative input pin exceeds threshold set |
| 1   | IN2N_FAULT | R    | 0h    | <b>IN2N threshold detect.</b><br>0 = Channel 2 negative input pin does not exceed threshold set<br>1 = Channel 2 negative input pin exceeds threshold set |
| 0   | IN1N_FAULT | R    | 0h    | <b>IN1N threshold detect.</b><br>0 = Channel 1 negative input pin does not exceed threshold set<br>1 = Channel 1 negative input pin exceeds threshold set |

**9.6.1.9 GPIO: General-Purpose IO Register (address = 14h) [reset = 0Fh]**

This register controls the format and state of the four GPIO pins.

**Figure 53. GPIO: General-Purpose IO Register**

|            |   |   |   |            |   |   |   |
|------------|---|---|---|------------|---|---|---|
| 7          | 6 | 5 | 4 | 3          | 2 | 1 | 0 |
| GPIOD[4:1] |   |   |   | GPIOC[4:1] |   |   |   |
| R/W-0h     |   |   |   | R/W-Fh     |   |   |   |

LEGEND: R/W = Read/Write; -n = value after reset

**Table 20. GPIO: General-Purpose IO Register Field Descriptions**

| Bit | Field      | Type | Reset | Description   |
|-----|------------|------|-------|---|
| 7-4 | GPIOD[4:1] | R/W  | 0h    | <b>GPIO data.</b><br>These bits are used to read and write data to the GPIO ports. When reading the register, the data returned correspond to the state of the GPIO external pins, whether they are programmed as inputs or outputs. As outputs, a write to the GPIOD sets the output value. As inputs, a write to the GPIOD has no effect. |
| 3-0 | GPIOC[4:1] | R/W  | Fh    | <b>GPIO control (corresponding to GPIOD).</b><br>These bits determine if the corresponding GPIOD pin is an input or output.<br>0 = Output<br>1 = Input  |

## 10 Application and Implementation

### NOTE

Information in the following applications sections is not part of the TI component specification, and TI does not warrant its accuracy or completeness. TI's customers are responsible for determining suitability of components for their purposes. Customers should validate and test their design implementation to confirm system functionality.

### 10.1 Application Information

#### 10.1.1 Multiple Device Configuration

The ADS131E08S provides configuration flexibility when multiple devices are used in a system. The serial interface typically needs four signals: DIN, DOUT, SCLK, and CS. With one additional chip select signal per device, multiple devices can be operated on the same SPI bus. The number of signals needed to interface to  $N$  devices is  $3 + N$ .

##### 10.1.1.1 Synchronizing Multiple Devices

When using multiple devices, the devices can be synchronized using the START signal. The delay time from the rising edge of the START signal to the falling edge of the DRDY signal is fixed for a given data rate (see the [Conversion Mode](#) section for more details on the settling times). [Figure 54](#) shows the behavior of two devices when synchronized with the START signal.

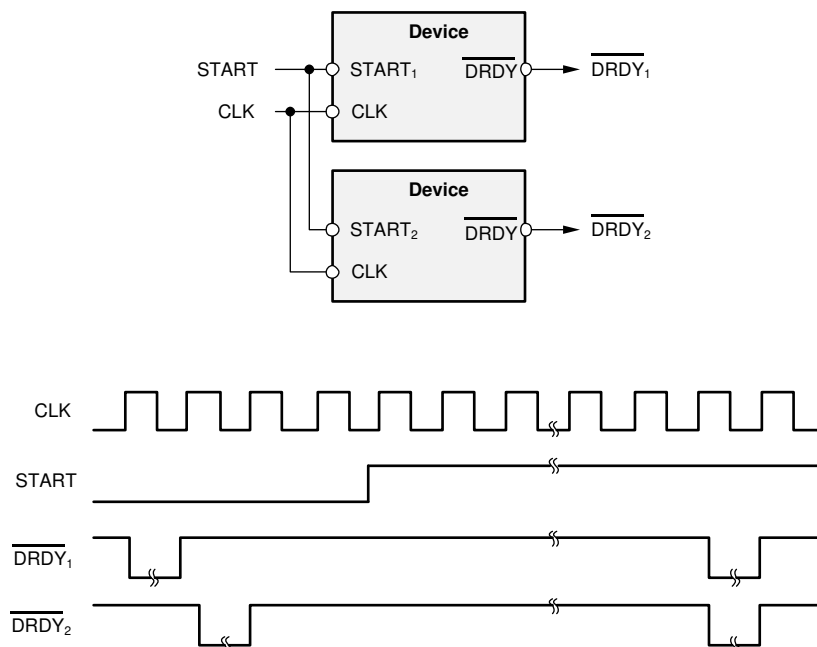


Figure 54. Synchronizing Multiple Converters

To use the internal oscillator in a daisy-chain configuration, one device must be set as the master for the clock source with the internal oscillator enabled (CLKSEL pin = 1) and the internal oscillator clock must be brought out of the device by setting the `CLK_EN` register bit to 1. The master device clock is used as the external clock source for the other devices.

There are two ways to connect multiple devices with an optimal number of interface pins: standard configuration and daisy-chain configuration.

## Application Information (continued)

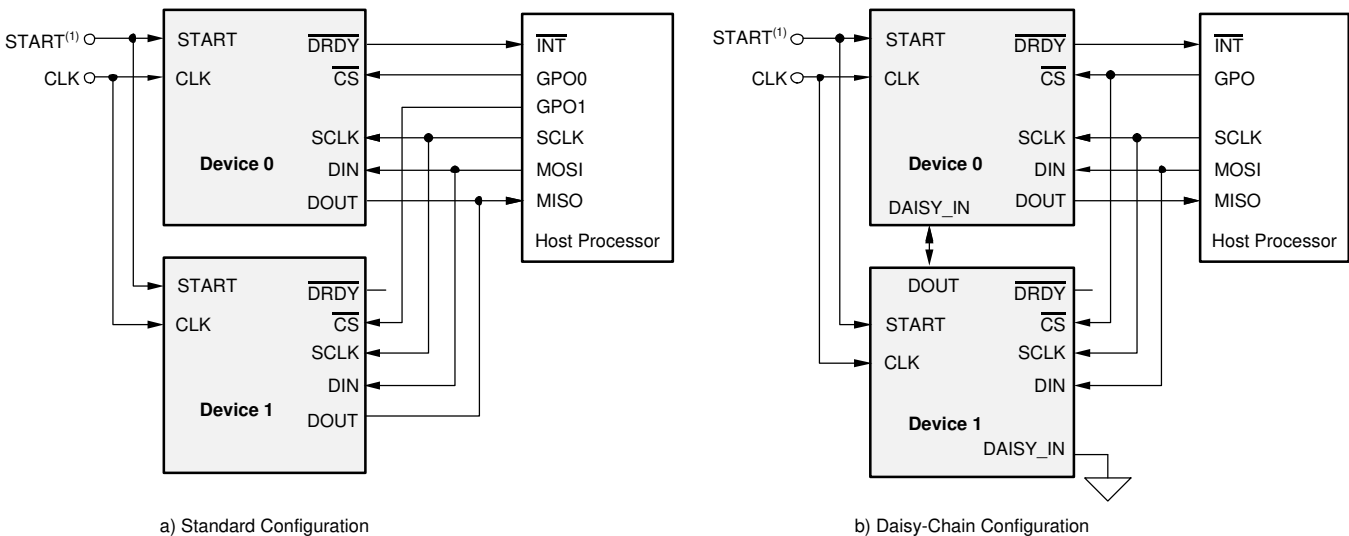
### 10.1.1.2 Standard Configuration

Figure 55a shows a configuration with two ADS131E08s devices cascaded. Together, the devices create a system with 16 channels. DOUT, SCLK, and  $\overline{\text{DIN}}$  are shared. Each device has its own chip select. When a device is not selected by the corresponding  $\overline{\text{CS}}$  being driven to logic 1, the DOUT pin of this device is high-impedance. This structure allows the other device to take control of the DOUT bus. This configuration method is suitable for the majority of applications where extra I/O pins are available.

### 10.1.1.3 Daisy-Chain Configuration

Daisy-chain mode is enabled by setting the DAISY\_IN bit in the CONFIG1 register. Figure 55b shows the daisy-chain configuration. In this mode SCLK, DIN, and  $\overline{\text{CS}}$  are shared across multiple devices. The DOUT pin of device 1 is connected to the DAISY\_IN pin of device 0, thereby creating a daisy-chain for the data. Connect the DAISY\_IN pin of device 1 to DGND if not used. The daisy-chain timing requirements for the SPI interface are illustrated in Figure 2. Data from the ADS131E08S device 0 appear first on DOUT, followed by a *don't care* bit, and then the status and data words from the ADS131E08S device 1.

The internal oscillator output cannot be enabled because all devices in the chain operate by sharing the same DIN pin, thus an external clock must be used.



(1) To reduce pin count, set the START pin low and use the START command to synchronize and start conversions.

**Figure 55. Multiple Device Configurations**

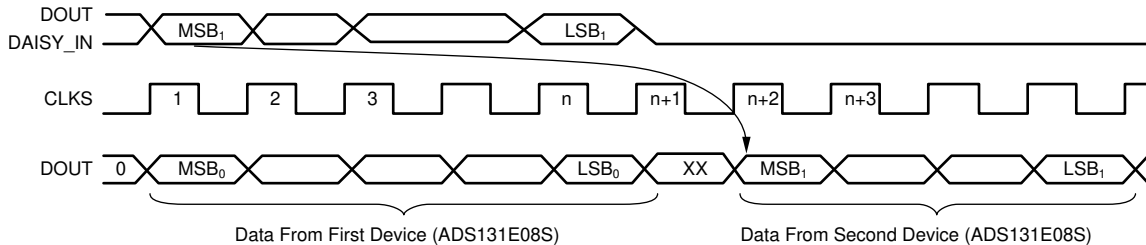
There are several items to be aware of when using daisy-chain mode:

1. One extra SCLK must be issued between each data set (see Figure 56)
2. All devices are configured to the same register values because the  $\overline{\text{CS}}$  signal is shared
3. Device register readback is only valid for device 0 in the daisy-chain. Only ADC conversion data can be read back from device 1 through device  $N$ , where  $N$  is the last device in the chain.



## Application Information (continued)

The more devices in the chain, the more challenging adhering to setup and hold times becomes. A star-pattern connection of SCLK to all devices, minimizing the trace length of DOUT, and other printed circuit board (PCB) layout techniques helps to mitigate this challenge with signal delays. Placing delay circuits (such as buffers) between DOUT and DAISY\_IN are options to help reduce signal delays. One other option is to insert a *D* flip-flop between DOUT and DAISY\_IN clocked on an inverted SCLK. [Figure 56](#) shows a timing diagram for daisy-chain mode.



NOTE:  $n = (\text{number of channels}) \times (\text{resolution}) + 24$  bits. The number of channels is 8. Resolution is 16 bits or 24 bits.

**Figure 56. Daisy-Chain Data Word**

The maximum number of devices that can be daisy-chained depends on the data rate that the devices are operated at. The maximum number of devices can be calculated with [Equation 10](#).

$$N_{\text{DEVICES}} = \frac{f_{\text{SCLK}}}{f_{\text{DR}} (N_{\text{BITS}})(N_{\text{CHANNELS}}) + 24}$$

where:

- $N_{\text{BITS}}$  = device resolution (depends on DR[2:0] setting)
  - $N_{\text{CHANNELS}}$  = number of channels powered up in the device
- (10)

For example, when the ADS131E08S is operated in 24-bit, 8-kSPS data rate with  $f_{\text{SCLK}} = 10$  MHz, up to six devices can be daisy-chained together.

### 10.1.2 Power Monitoring Specific Applications

All channels of the ADS131E08S are exactly identical, yet independently configurable, thus giving the user the flexibility of selecting any channel for voltage or current monitoring. An overview of a system configured to monitor voltage and current is illustrated in [Figure 57](#). Also, the simultaneously sampling capability of the device allows the user to monitor both the current and the voltage at the same time. The full-scale differential input voltage of each channel is determined by the PGA gain setting (see the [CHnSET: Individual Channel Settings](#) section) for the respective channel and  $V_{\text{REF}}$  (see the [CONFIG3: Configuration Register 3](#) section).

Application Information (continued)

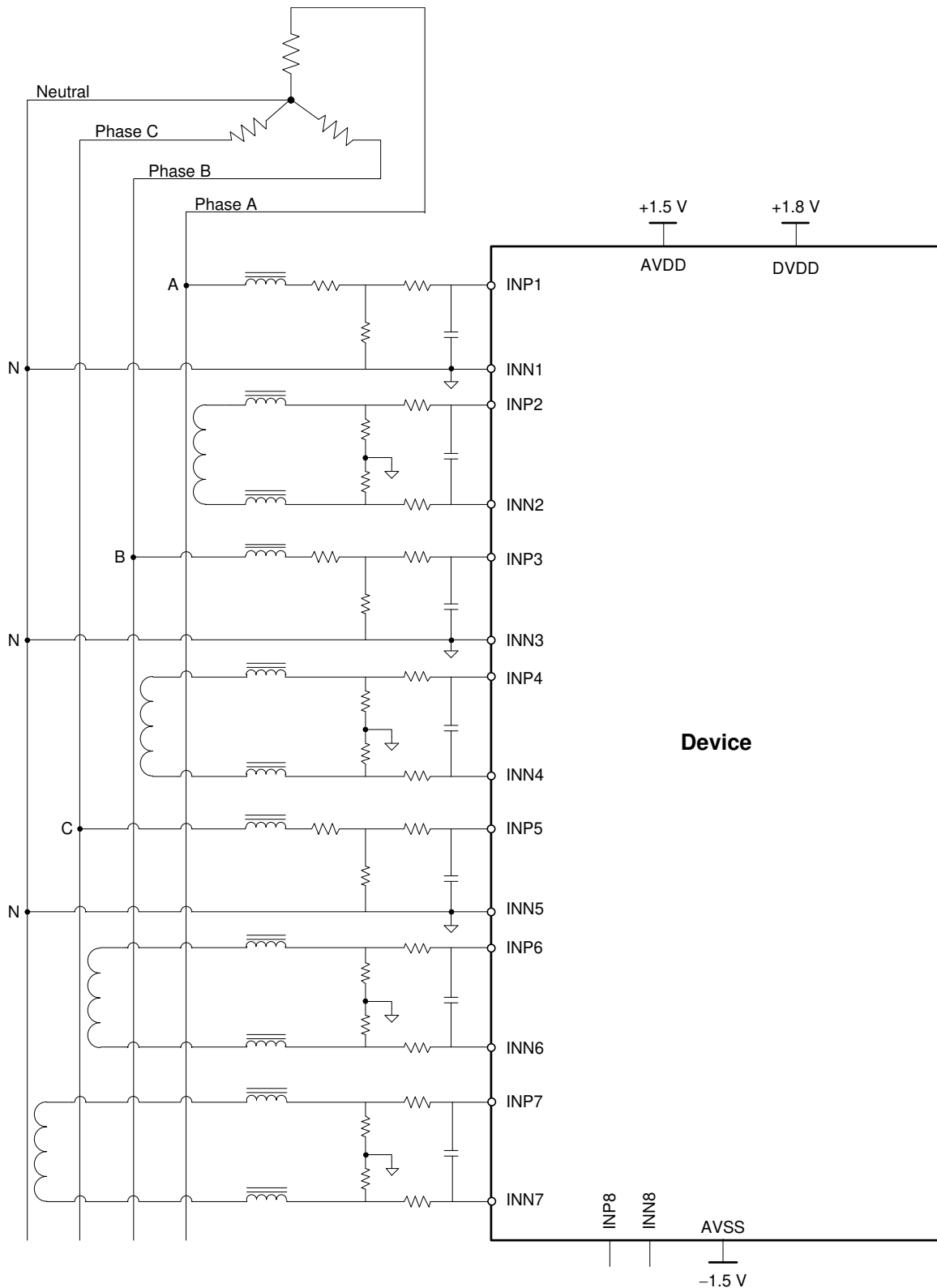


Figure 57. Overview of a Power-Monitoring System

## Application Information (continued)

### 10.1.3 Current Sensing

**Figure 58** illustrates a simplified diagram of typical configurations used for current sensing with a Rogowski coil, current transformer (CT), or an air coil that outputs a current or voltage. In the case of a current output transformer, the burden resistors (R1) are used for current-to-voltage conversion. The output of the burden resistors is connected to the ADS131E08S INxP and INxN inputs through an antialiasing RC filter for current sensing. In the case of a voltage output transformer for current sensing (such as certain types of Rogowski coils), the output terminals of the transformer are directly connected to the ADS131E08S INxP and INxN inputs through an antialiasing RC filter. The input network must be biased to mid-supply if using a unipolar-supply analog configuration ( $AVSS = 0\text{ V}$ ,  $AVDD = 2.7\text{ V}$  to  $5.5\text{ V}$ ). The common-mode bias voltage  $[(AVDD + AVSS) / 2]$  can be obtained from the ADS131E08S by either configuring the internal op amp in a unity-gain configuration using the  $R_F$  resistor and setting the OPAMP\_REF bit of the CONFIG3 register to 1, or generated externally with a resistor divider network between the positive and negative supplies.

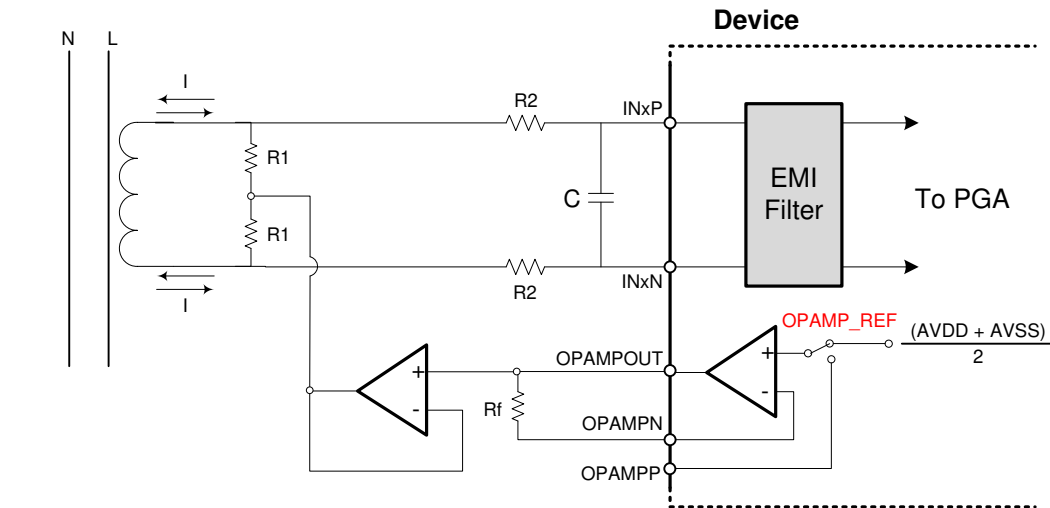
Select the value of resistor R1 for the current output transformer and turns ratio of the transformer such that the ADS131E08S full-scale differential input voltage range is not exceeded. Likewise, select the output voltage for the voltage output transformer to not exceed the full-scale differential input voltage range. In addition, the selection of the resistors (R1 and R2) and turns ratio must not saturate the transformer over the full operating dynamic range. **Figure 58a** illustrates differential input current sensing and **Figure 58b** illustrates single-ended input voltage sensing. Use separate external op amps to source and sink current because the internal op amp has very limited current sink and source capability. Additionally, separate op amps for each channel help isolate individual phases from one another to limit crosstalk.

### 10.1.4 Voltage Sensing

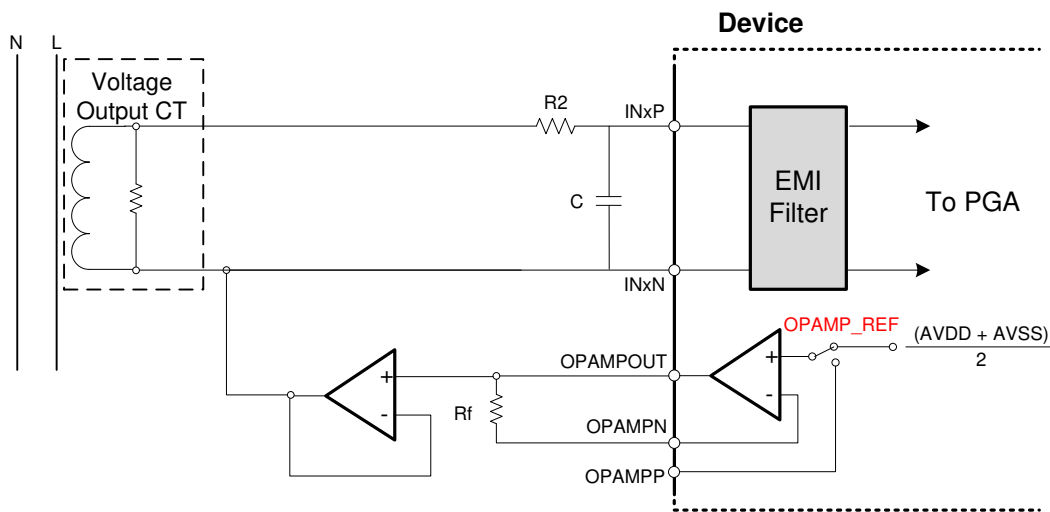
**Figure 59** illustrates a simplified diagram of commonly-used differential and single-ended methods of voltage sensing. A resistor divider network is used to step down the line voltage to within the acceptable ADS131E08S input range and then connect to the inputs (INxP and INxN) through an antialiasing RC filter formed by resistor R3 and capacitor C. The common-mode bias voltage  $[(AVDD + AVSS) / 2]$  can be obtained from the ADS131E08S by either configuring the internal op amp in a unity-gain configuration using the  $R_F$  resistor and setting the OPAMP\_REF bit of the CONFIG3 register, or generated externally by using a resistor divider network between the positive and negative supplies.

In either of the cases illustrated in **Figure 59** (**Figure 59a** for a differential input and **Figure 59b** for a single-ended input), the line voltage is divided down by a factor of  $[R2 / (R1 + R2)]$ . Values of R1 and R2 must be carefully chosen so that the voltage across the ADS131E08S inputs (INxP and INxN) does not exceed the range of the ADS131E08S over the full operating dynamic range. Use separate external op amps to source and sink current because the internal op amp has very limited current sink and source capability. Additionally, separate op amps for each channel help isolate individual phases from one another to limit crosstalk.

Application Information (continued)



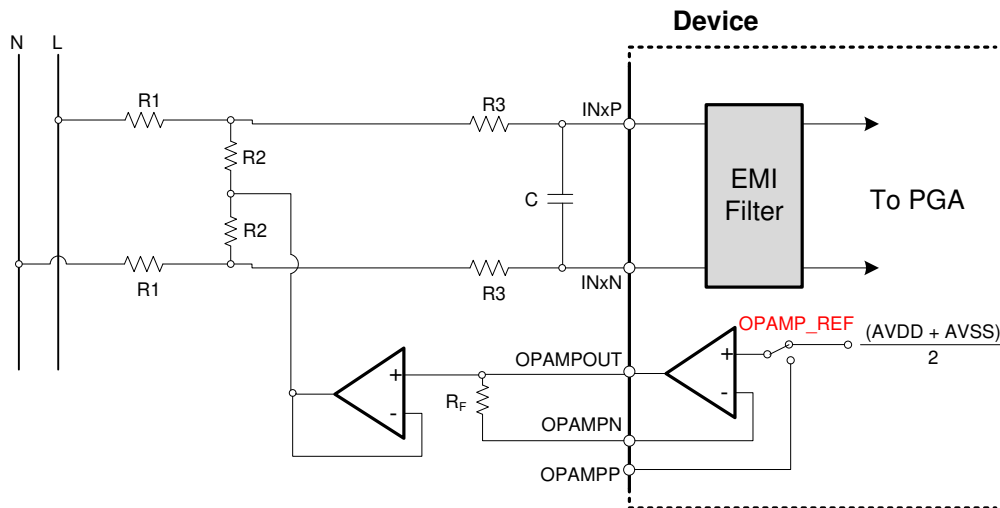
(a) Current Output CT with Differential Input



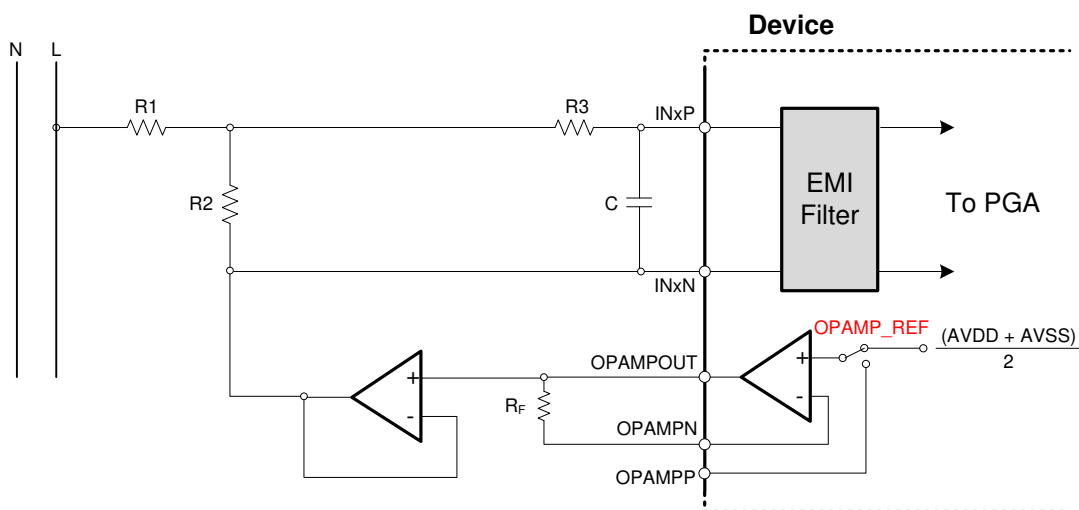
(b) Voltage Output CT with Single-Ended Input

Figure 58. Simplified Current-Sensing Connections

Application Information (continued)



(a) Voltage Sensing with Differential Input



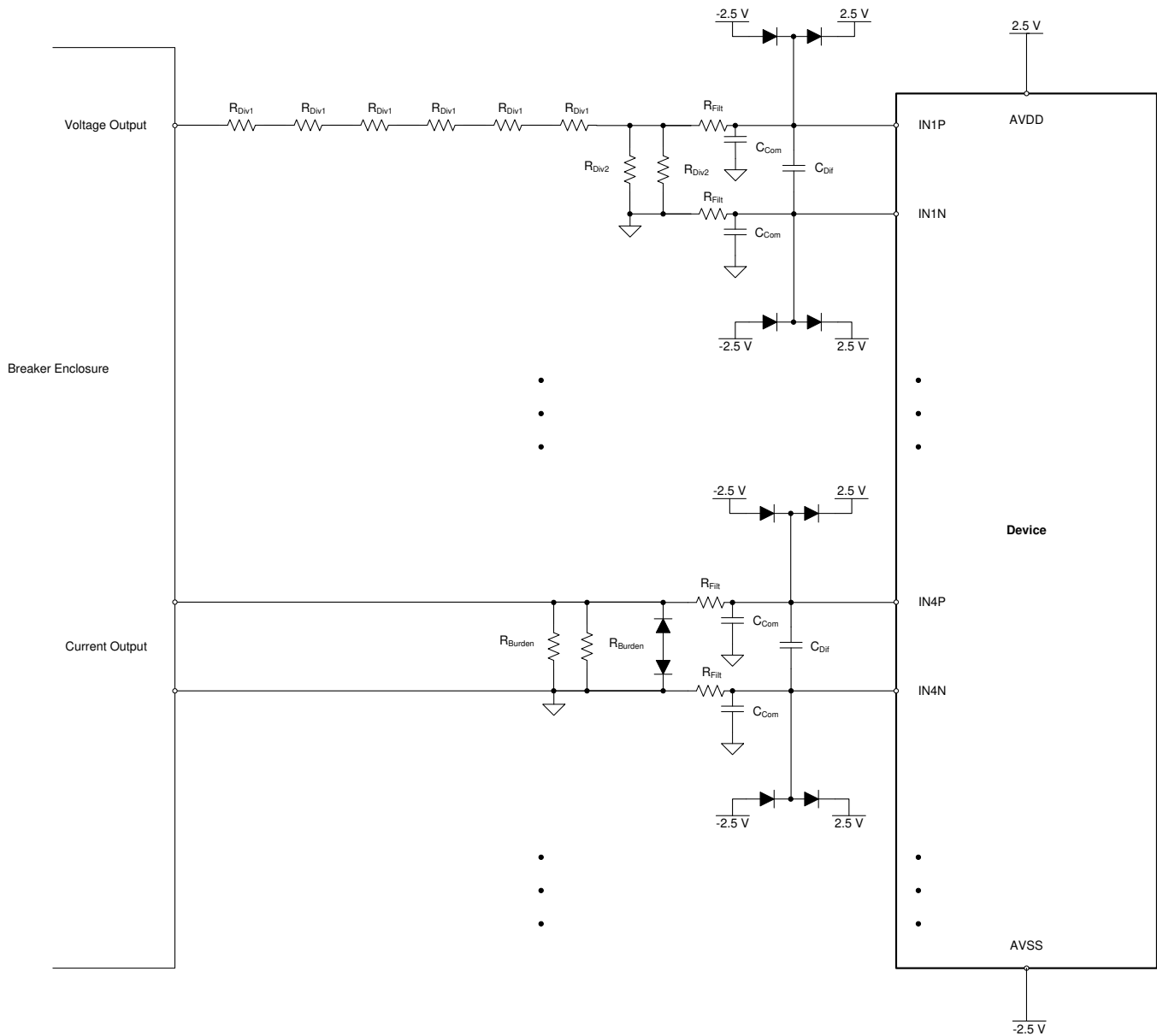
(b) Voltage Sensing with Single-Ended Input

Figure 59. Simplified Voltage-Sensing Connections

## 10.2 Typical Application

Figure 60 shows the ADS131E08S being used as part of an electronic trip unit (ETU) in a circuit breaker or protection relay. Delta-sigma ( $\Delta\Sigma$ ), analog-to-digital converters (ADCs), such as the ADS131E08S, are ideal for this application because these devices provide a wide dynamic range. The fast power-up time of the ADS131E08S makes the device an ideal candidate for line-powered circuit breaker applications.

The system measures voltages and currents output from a breaker enclosure. In this example, the first three inputs measure line voltage and the remaining five inputs measure line current from the secondary winding of a current transformer (CT). A voltage divider steps down the voltage from the output of the breaker. Several resistors are used to break up power consumption and are used as a form of fault protection against any potential resistor short-circuit. After the voltage step down, RC filters are used for antialiasing and diodes protect the inputs from overrange.



**Figure 60. ETU Block Diagram: High-Resolution and Fast Power-Up Analog Front-End for Air Circuit Breaker or Molded Case Circuit Breaker and Protection Relay**

## Typical Application (continued)

### 10.2.1 Design Requirements

Table 21 summarizes the design requirements for the circuit breaker front-end application.

**Table 21. ETU Circuit Breaker Design Requirements**

| DESIGN PARAMETER              | VALUE         |
|-------------------------------|---------------|
| ADC power-up                  | < 3 ms        |
| Number of voltage inputs      | 3             |
| Voltage input range           | 10 V to 750 V |
| Number of current inputs      | 5             |
| Current input range           | 50 mA to 25 A |
| Dynamic range with fixed gain | > 500         |
| Accuracy                      | ±1%           |

### 10.2.2 Detailed Design Procedure

The line voltage is stepped down to a voltage range within the measurable range of the ADC. The reference voltage determines the range in which the ADC can measure signals. The ADS131E08S has two integrated low-drift reference voltage options: 2.4 V and 4 V.

Equation 11 describes the transfer function for the voltage divider at the input in Figure 60. Using multiple series resistors,  $R_{DIV1}$ , and multiple parallel resistors,  $R_{DIV2}$ , allows for power and heat to be dissipated among several circuit elements and serves as protection against a potential short-circuit across a single resistor. The number of resistors trade off with nominal accuracy because each additional element introduces an additional source of tolerance.

$$V_{IN} = V_{Phase} \times \left( \frac{0.5 \times R_{Div2}}{6 \times R_{Div1} + 0.5 \times R_{Div2}} \right) \quad (11)$$

The step-down resistor,  $R_{Div2}$ , dominates the measurement error produced by the resistor network. Using input PGAs on the ADS131E08S helps to mitigate this error source by allowing  $R_{Div2}$  to be made smaller and then amplifying the signal to near full-scale using the ADS131E08S PGA.

For this design,  $R_{Div1}$  is set to 200 k $\Omega$  and  $R_{Div2}$  is set to 2.4 k $\Omega$  to provide proper signal attenuation at a sufficient power level across each resistor. The input saturates at values greater than  $\pm 750$  V when using the ADS131E08S internal 2.4-V reference and a PGA gain of 2.

The ADS131E08S measures the line current by creating a voltage across the burden resistance ( $R_{Burden}$  in Figure 60) in parallel with the secondary winding of a CT. As with the voltage measurement front-end, multiple resistors ( $R_{Div1}$ ) that are used to step down a voltage share the duty of dissipating power. In this design,  $R_{BURDEN}$  is set to 33  $\Omega$ . Used with a 1:500 turns ratio CT, the ADC input saturates with a line current over 25 A when the ADC is configured using the internal 2.4-V reference and a PGA gain of 2.

Diodes protect the ADS131E08S inputs from overvoltage and current. Diodes on each input shunt to either supply if the input voltage exceeds the safe range for the device. On current inputs, a diode shunts the inputs if current on the secondary winding of the CT threatens to damage the device.

The combination of  $R_{Filt}$ ,  $C_{Com}$ , and  $C_{Dif}$  form the antialiasing filters for each of the inputs. The differential capacitor  $C_{Dif}$  improves the common-mode rejection of the system by sharing its tolerance between the positive and negative input. The antialiasing filter requirement is not strict because the nature of a  $\Delta\Sigma$  converter (with oversampling and digital filter) attenuates a significant proportion of out-of-band noise. In addition, the input PGAs have intentionally low bandwidth to provide additional antialiasing. The component values used in this design are  $R_{Filt} = 1\text{ k}\Omega$ ,  $C_{Com} = 47\text{ pF}$ , and  $C_{Dif} = 0.015\text{ }\mu\text{F}$ . This first-order filter produces a relatively flat frequency response beyond 2 kHz, capable of measuring greater than 30 harmonics at a 50-Hz or 60-Hz fundamental frequency. The 3-dB cutoff frequency of the filter is 5.3 kHz for each input channel.

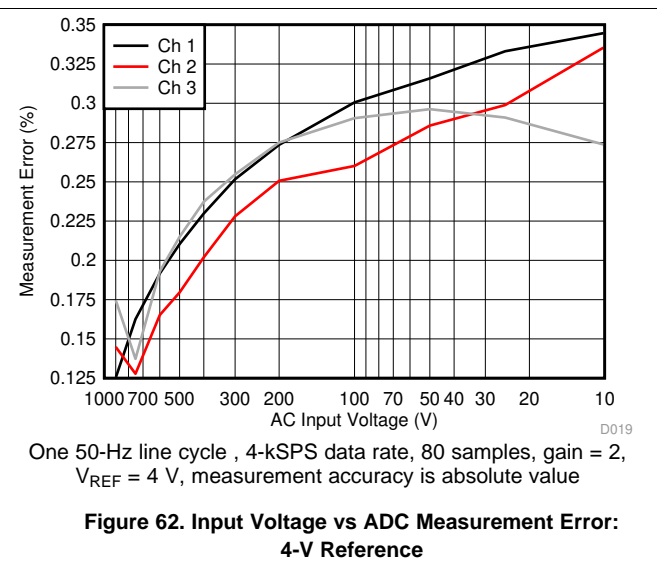
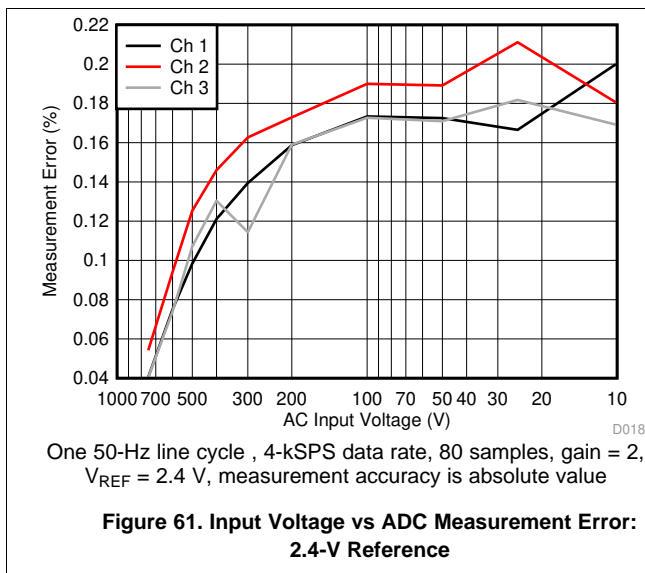
The ETU in a circuit breaker or protection relay can be powered from the line. In this case, fast power-up is required to allow the ADC to begin making measurements shortly after power is restored. The ADS131E08S is designed to fully power-up and collect data in less than 3 ms.

Each analog system block introduces errors from input to output. Protection CTs in the 5P accuracy class can introduce as much as  $\pm 1\%$  current error from input to output. CTs in the 10P accuracy class can introduce as much as  $\pm 3\%$  error. The burden resistor also introduces errors in the form of resistor tolerance and temperature drift. For the voltage input, error comes from the divider network in the form of resistor tolerance and temperature drift. Finally, the converter introduces errors in the form of offset error, gain error, and reference error. All of these specifications can drift over temperature.

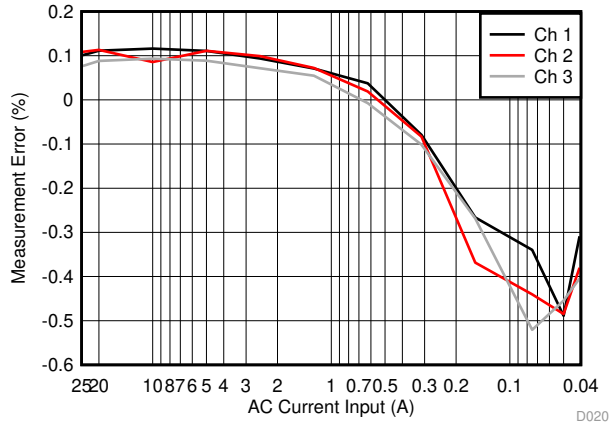
### 10.2.3 Application Curves

Accuracy is measured using a system designed in a similar way to that illustrated in Figure 60. The CT used for the current input is CT1231 (a 0.3 class, solid core, 5:2500 turns transformer). In each case, data are taken for three channels over one cycle of the measured waveform and the RMS input-referred signal is compared to the output to calculate the error. The equation used to derive the measurement error is shown in Equation 12. Data are taken using both the 2.4-V and 4-V internal reference voltages. In all cases, measured accuracy is within  $\pm 1\%$ .

$$\text{Measurement Accuracy}(\%) = \left( \frac{\text{Measured} - \text{Actual}}{\text{Actual}} \right) \times 100 \quad (12)$$

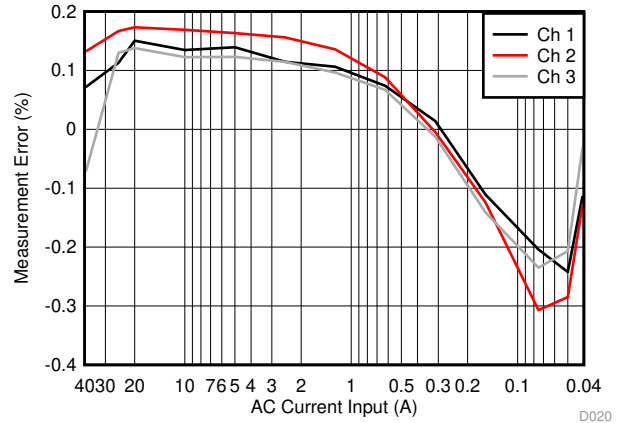






One 50-Hz line cycle, 4-kSPS data rate, 80 samples, gain = 2,  $V_{REF} = 2.4\text{ V}$

**Figure 63. Input Current vs ADC Measurement Error: 2.4-V Reference**



One 50-Hz line cycle, 4-kSPS data rate, 80 samples, gain = 2,  $V_{REF} = 4\text{ V}$

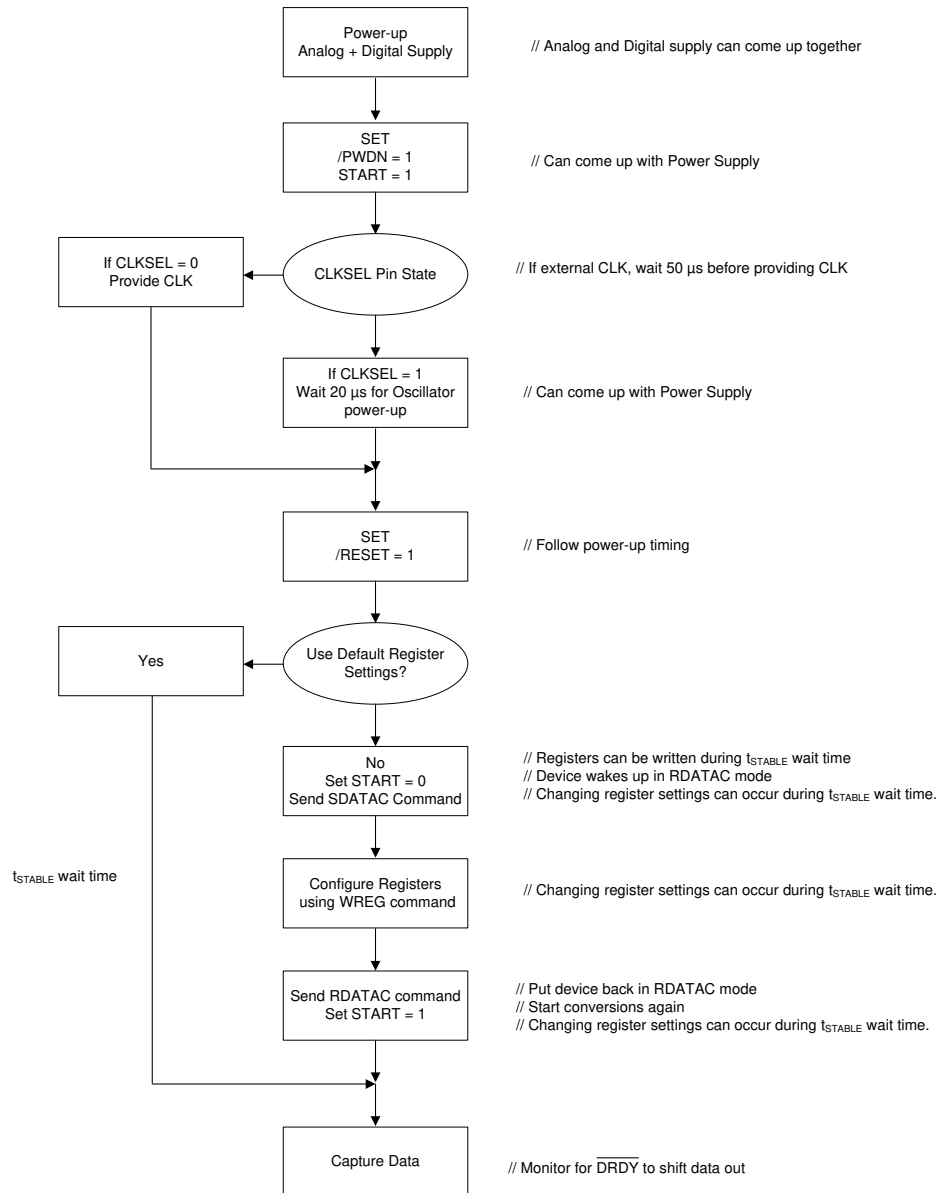
**Figure 64. Input Current vs ADC measurement Error: 4-V Reference**

For a step-by-step design procedure, circuit schematics, bill of materials, PCB files, simulation results, and test results, see [High-Resolution, Fast Start-Up, Delta-Sigma ADC-Based AFE for Air Circuit Breaker \(ACB\) Reference Design](#) reference guide.

## 10.3 Initialization Set Up

### 10.3.1 Setting the Device Up for Basic Data Capture

This section outlines the procedure to configure the device to capture data. Follow the steps shown in [Figure 65](#) to put the ADS131E08S in a configured state to acquire data within the specified 3-ms power-up time. For details on the timings for commands, see the appropriate sections in this document. The flow chart of [Figure 65](#) details the initial ADS131E08S configuration and setup.



**Figure 65. Initial Flow at Power-Up**

## 11 Power Supply Recommendations

### 11.1 Power-Up Timing

Settled data from the ADS131E08S are available within 3 ms of power-up if a strict timing sequence is followed. Before device power-up, all digital and analog inputs must be held low. Provide the master clock 50  $\mu$ s after the analog and digital supplies reach 90% of their nominal values, shown as  $t_{PCLK}$  in Figure 66. Pull the RESET pin high following the  $t_{PRST}$  timing to bring the ADC digital filters out of a reset state and to begin the conversion process.

Settled data are available at the first DRDY falling edge, shown as  $t_{SETTLE}$  in Figure 66. These data are from the settled digital filter; however, the first data set may not be a settled representation of the input because additional time is required for the reference and critical voltage nodes to settle to their final values. The  $t_{STABLE}$  timing adds the recommended wait time for settled data to be available at the ADC output. When the  $t_{STABLE}$  time has passed, the next DRDY falling edge indicates a valid conversion result of the input signal where both the digital filter and node voltages are settled.

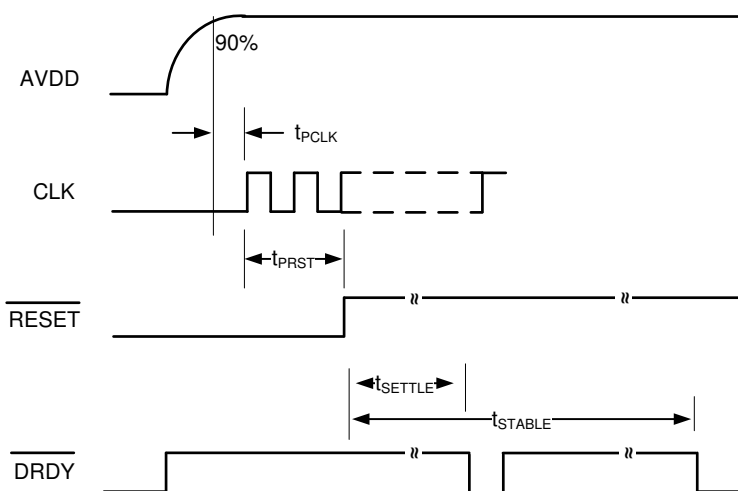


Figure 66. Power-Up Timing Diagram

Table 22. Power-Up Sequence Timing

|              |  | MIN  | TYP | MAX | UNIT      |
|--------------|--|------|-----|-----|-----------|
| $t_{PCLK}$   | Delay time, first external CLK rising edge after AVDD reaches 90%        | 50   |     |     | $\mu$ s   |
|              | Delay time, internal oscillator start-up after AVDD reaches 90%          | 20   |     |     |           |
| $t_{PRST}$   | Delay time, RESET rising edge after first CLK rising edge                | 2    |     |     | $t_{CLK}$ |
| $t_{SETTLE}$ | Settling time, first settled data after RESET rising edge <sup>(1)</sup> | 2312 |     |     | $t_{CLK}$ |
| $t_{STABLE}$ | Settling time, valid data after RESET rising edge                        | 2.2  |     |     | ms        |

(1) Timing is for the 4-kSPS data rate; see Table 5 for digital filter settling times for different data rates.

To deviate from the default register settings, write to the ADS131E08S registers after pulling the RESET pin high. Changes to any of the registers delay the  $t_{SETTLE}$  start point until the register write is complete. If the data rate is changed following the RESET pin going high, the  $t_{SETTLE}$  timing takes on the settling characteristics of Table 5 relative to the completion of the command.

### 11.2 Recommended External Capacitor Values

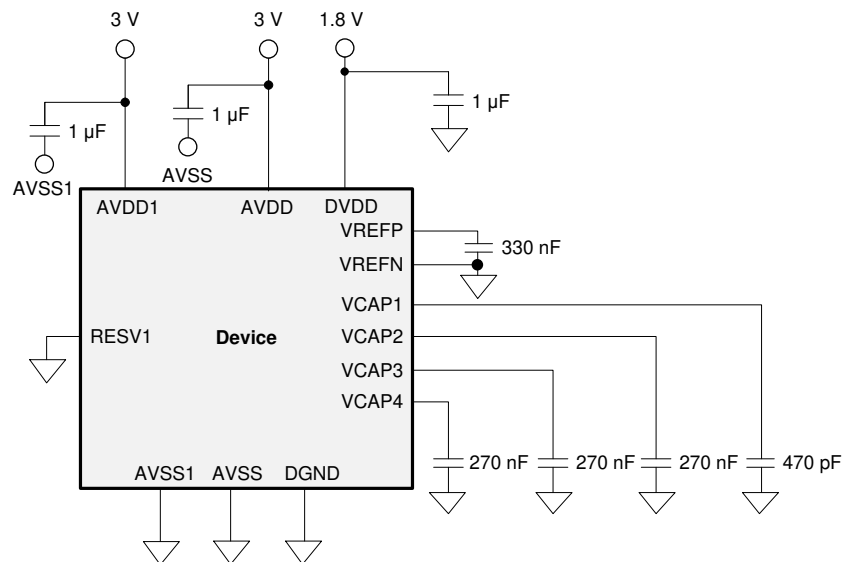
The ADS131E08S power-up time is set by the time required for the critical voltage nodes to settle to their final values. The analog supplies (AVDD and AVSS), digital supply (DVDD), and internal node voltages (VCAPx pins) must be up and stable when the data converter samples are taken to ensure performance. The combined current sourcing capability of the supplies and size of the bypass capacitors dictate the ramp rate of AVDD, AVSS, and DVDD. The VCAPx voltages are charged internally using the supply voltages. Table 23 lists the internal node voltages, their function, and recommended capacitor values to optimize the power-up time.

**Table 23. Recommended External Capacitor Values**

| PIN   |                    | FUNCTION                                    | RECOMMENDED CAPACITOR VALUE |
|-------|--------------------|---|-----------------------------|
| NAME  | NO.                |   |                             |
| VCAP1 | 28                 | Band-gap voltage for the ADC                | 470 pF to AVSS              |
| VCAP2 | 30                 | Modulator common-mode                       | 270 nF to AVSS              |
| VCAP3 | 55                 | PGA charge pump                             | 270 nF to AVSS              |
| VCAP4 | 26                 | Reference common-mode                       | 270 nF to AVSS              |
| VREFP | 24                 | Reference voltage after the internal buffer | 330 nF to AVSS              |
| AVDD  | 19, 21, 22, 56, 59 | Analog supply                               | 1 $\mu$ F each to AVSS      |
| AVDD1 | 54                 | Internal PGA charge pump analog supply      | 1 $\mu$ F to AVSS1          |
| AVSS  | 20, 23, 32, 57, 58 | Analog supply                               | 1 $\mu$ F each to AVDD      |
| AVSS1 | 53                 | Internal PGA charge pump analog supply      | 1 $\mu$ F to AVDD1          |
| DVDD  | 48, 50             | Digital supply                              | 1 $\mu$ F each to DGND      |

### 11.3 Device Connections for Unipolar Power Supplies

Figure 67 shows the ADS131E08S connected to a unipolar supply. In this example, the analog supply (AVDD) is referenced to the analog ground (AVSS) and the digital supply (DVDD) is referenced to the digital ground (DGND). The ADS131E08S supports an analog supply range of AVDD = 2.7 V to 5.25 V when operated in unipolar supply mode.

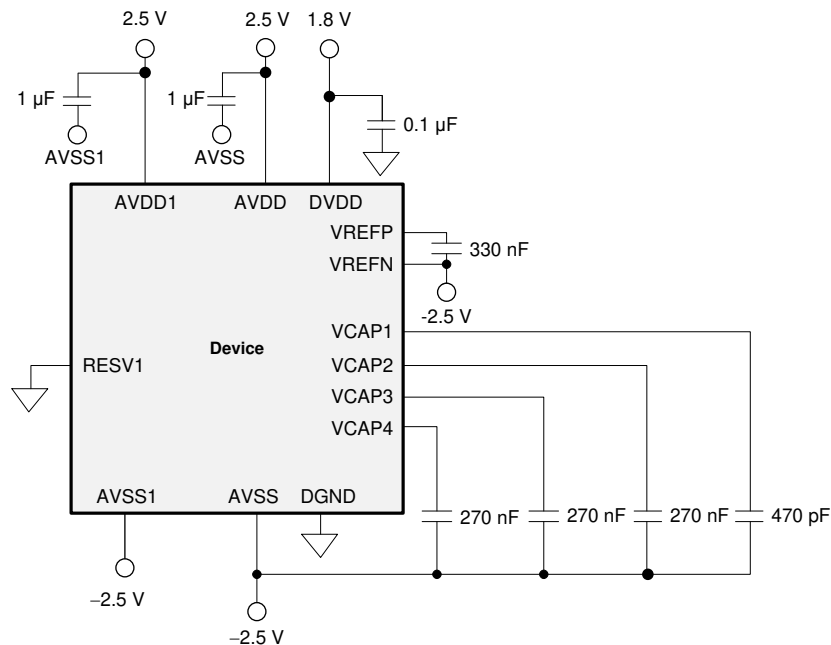


NOTE: Place the supply, reference, and VCAP1 to VCAP4 capacitors as close to the package as possible.

**Figure 67. Unipolar Power Supply Operation**

## 11.4 Device Connections for Bipolar Power Supplies

Figure 68 shows the ADS131E08S connected to a bipolar supply. In this example, the analog supply (AVDD) is referenced to the analog ground (AVSS) and the digital supply (DVDD) is referenced to the digital ground (DGND). The ADS131E08S supports an analog supply range of AVDD and AVSS = ±1.5 V to ±2.5 V when operated in bipolar supply mode.



NOTE: Place the supply, reference, and VCAP1 to VCAP4 capacitors as close to the package as possible.

**Figure 68. Bipolar Power Supply Operation**

## 12 Layout

### 12.1 Layout Guidelines

Use a low-impedance connection for ground so that return currents flow undisturbed back to their respective sources. For best performance, dedicate an entire PCB layer to a ground plane and do not route any other signal traces on this layer. Keep connections to the ground plane as short and direct as possible. When using vias to connect to the ground layer, use multiple vias in parallel to reduce impedance to ground.

A mixed-signal layout sometimes incorporates separate analog and digital ground planes that are tied together at one location; however, separating the ground planes is not necessary when analog, digital, and power-supply components are properly placed. Proper placement of components partitions the analog, digital, and power-supply circuitry into different PCB regions to prevent digital return currents from coupling into sensitive analog circuitry. If ground plane separation is necessary, then make the connection at the ADC. Connecting individual ground planes at multiple locations creates ground loops, and is not recommended. A single ground plane for analog and digital avoids ground loops.

Bypass supply pins with a low-equivalent series resistance (ESR) ceramic capacitor. The placement of the bypass capacitors must be as close as possible to the supply pins using short, direct traces. For optimum performance, the ground-side connections of the bypass capacitors must also be low-impedance connections. The supply current flows through the bypass capacitor terminal first and then to the supply pin to make the bypassing most effective (also known as a Kelvin connection). If multiple ADCs are on the same PCB, use wide power-supply traces or dedicated power-supply planes to minimize the potential of crosstalk between ADCs.

If external filtering is used for the analog inputs, use COG-type ceramic capacitors when possible. COG capacitors have stable properties and low-noise characteristics. Ideally, route differential signals as pairs to minimize the loop area between the traces. Route digital circuit traces (such as clock signals) away from all analog pins. The internal reference output return shares the same pin as the AVSS power supply. To minimize coupling between the power-supply trace and reference return trace, route the two traces separately; ideally, as a star connection at the AVSS pin.

Short, direct interconnections must be made on analog input lines and stray wiring capacitance must be avoided, particularly between the analog input pins and AVSS. These analog input pins are high-impedance and are extremely sensitive to extraneous noise. Treat the AVSS pin as a sensitive analog signal and connect directly to the supply ground with proper shielding. Leakage currents between the PCB traces can exceed the input bias current of the ADS131E08S if shielding is not implemented. Keep digital signals as far as possible from the analog input signals on the PCB.

The SCLK input of the serial interface must be free from noise and glitches. Even with relatively slow SCLK frequencies, short digital signal rise and fall times can cause excessive ringing and noise. For best performance, keep the digital signal traces short, using termination resistors as needed, and make sure all digital signals are routed directly above the ground plane with minimal use of vias. [Figure 69](#) shows the ideal placement of system components.

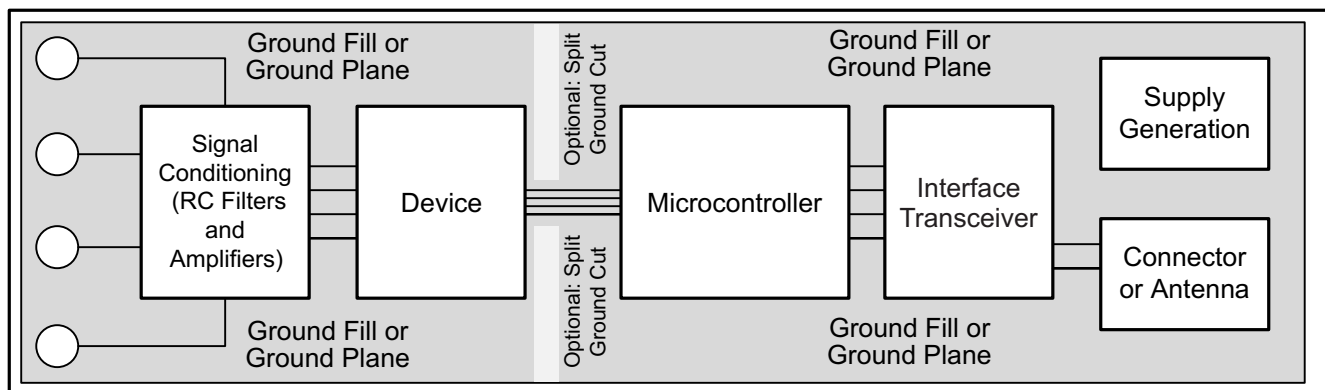


Figure 69. System Component Placement

## 12.2 Layout Example

Figure 70 shows an example layout of the ADS131E08S requiring a minimum of two PCB layers. The example circuit is shown for either a unipolar analog supply connection or a bipolar analog supply connection. In this example, polygon pours are used as supply connections around the device. If a three- or four-layer PCB is used, the additional inner layers can be dedicated to route power traces. The PCB is partitioned with analog signals routed from the left, digital signals routed to the right, and power routed above and below the device.

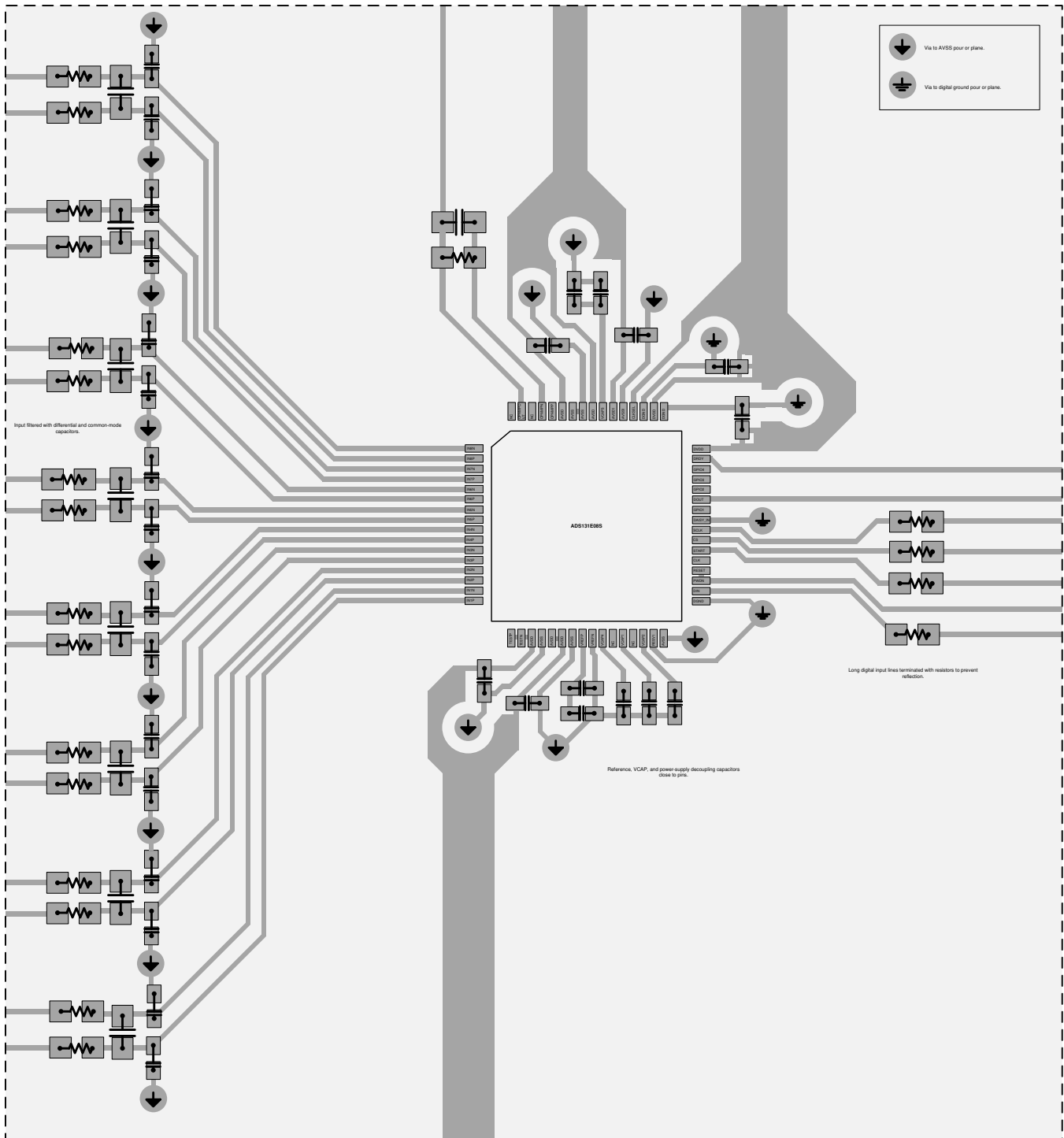


Figure 70. ADS131E08S Layout Example

## 13 Device and Documentation Support

### 13.1 Documentation Support

#### 13.1.1 Related Documentation

For related documentation see the following:

- Texas Instruments, [ADS131E0x 4-, 6-, and 8-Channel, 24-Bit, Simultaneously-Sampling, Delta-Sigma ADC data sheet](#)
- Texas Instruments, [REF50xx Low-Noise, Very Low Drift, Precision Voltage Reference data sheet](#)
- Texas Instruments, [High-Resolution, Fast Start-Up, Delta-Sigma ADC-Based AFE for Air Circuit Breaker \(ACB\) Reference Design reference guide](#)

### 13.2 Support Resources

TI E2E™ [support forums](#) are an engineer's go-to source for fast, verified answers and design help — straight from the experts. Search existing answers or ask your own question to get the quick design help you need.

Linked content is provided "AS IS" by the respective contributors. They do not constitute TI specifications and do not necessarily reflect TI's views; see TI's [Terms of Use](#).

### 13.3 Trademarks

E2E is a trademark of Texas Instruments.

SPI is a trademark of Motorola.

All other trademarks are the property of their respective owners.

### 13.4 Electrostatic Discharge Caution



These devices have limited built-in ESD protection. The leads should be shorted together or the device placed in conductive foam during storage or handling to prevent electrostatic damage to the MOS gates.

### 13.5 Glossary

[SLYZ022](#) — *TI Glossary*.

This glossary lists and explains terms, acronyms, and definitions.

## 14 Mechanical, Packaging, and Orderable Information

The following pages include mechanical, packaging, and orderable information. This information is the most current data available for the designated devices. This data is subject to change without notice and revision of this document. For browser-based versions of this data sheet, refer to the left-hand navigation.



**PACKAGING INFORMATION**

| Orderable Device | Status<br>(1) | Package Type | Package Drawing | Pins | Package Qty | Eco Plan<br>(2) | Lead finish/<br>Ball material<br>(6) | MSL Peak Temp<br>(3) | Op Temp (°C) | Device Marking<br>(4/5) | Samples                 |
|------------------|---------------|--------------|-----------------|------|-------------|-----------------|--------------------------------------|----------------------|--------------|-------------------------|-------------------------|
| ADS131E08SPAG    | ACTIVE        | TQFP         | PAG             | 64   | 160         | RoHS & Green    | NIPDAU                               | Level-3-260C-168 HR  | -40 to 105   | ADS131E08S              | <a href="#">Samples</a> |
| ADS131E08SPAGR   | ACTIVE        | TQFP         | PAG             | 64   | 1500        | RoHS & Green    | NIPDAU                               | Level-3-260C-168 HR  | -40 to 105   | ADS131E08S              | <a href="#">Samples</a> |

(1) The marketing status values are defined as follows:

**ACTIVE:** Product device recommended for new designs.

**LIFEBUY:** TI has announced that the device will be discontinued, and a lifetime-buy period is in effect.

**NRND:** Not recommended for new designs. Device is in production to support existing customers, but TI does not recommend using this part in a new design.

**PREVIEW:** Device has been announced but is not in production. Samples may or may not be available.

**OBSOLETE:** TI has discontinued the production of the device.

(2) **RoHS:** TI defines "RoHS" to mean semiconductor products that are compliant with the current EU RoHS requirements for all 10 RoHS substances, including the requirement that RoHS substance do not exceed 0.1% by weight in homogeneous materials. Where designed to be soldered at high temperatures, "RoHS" products are suitable for use in specified lead-free processes. TI may reference these types of products as "Pb-Free".

**RoHS Exempt:** TI defines "RoHS Exempt" to mean products that contain lead but are compliant with EU RoHS pursuant to a specific EU RoHS exemption.

**Green:** TI defines "Green" to mean the content of Chlorine (Cl) and Bromine (Br) based flame retardants meet JS709B low halogen requirements of <=1000ppm threshold. Antimony trioxide based flame retardants must also meet the <=1000ppm threshold requirement.

(3) MSL, Peak Temp. - The Moisture Sensitivity Level rating according to the JEDEC industry standard classifications, and peak solder temperature.

(4) There may be additional marking, which relates to the logo, the lot trace code information, or the environmental category on the device.

(5) Multiple Device Markings will be inside parentheses. Only one Device Marking contained in parentheses and separated by a "~" will appear on a device. If a line is indented then it is a continuation of the previous line and the two combined represent the entire Device Marking for that device.

(6) Lead finish/Ball material - Orderable Devices may have multiple material finish options. Finish options are separated by a vertical ruled line. Lead finish/Ball material values may wrap to two lines if the finish value exceeds the maximum column width.

**Important Information and Disclaimer:**The information provided on this page represents TI's knowledge and belief as of the date that it is provided. TI bases its knowledge and belief on information provided by third parties, and makes no representation or warranty as to the accuracy of such information. Efforts are underway to better integrate information from third parties. TI has taken and continues to take reasonable steps to provide representative and accurate information but may not have conducted destructive testing or chemical analysis on incoming materials and chemicals. TI and TI suppliers consider certain information to be proprietary, and thus CAS numbers and other limited information may not be available for release.

In no event shall TI's liability arising out of such information exceed the total purchase price of the TI part(s) at issue in this document sold by TI to Customer on an annual basis.



**TAPE AND REEL INFORMATION**

**QUADRANT ASSIGNMENTS FOR PIN 1 ORIENTATION IN TAPE**

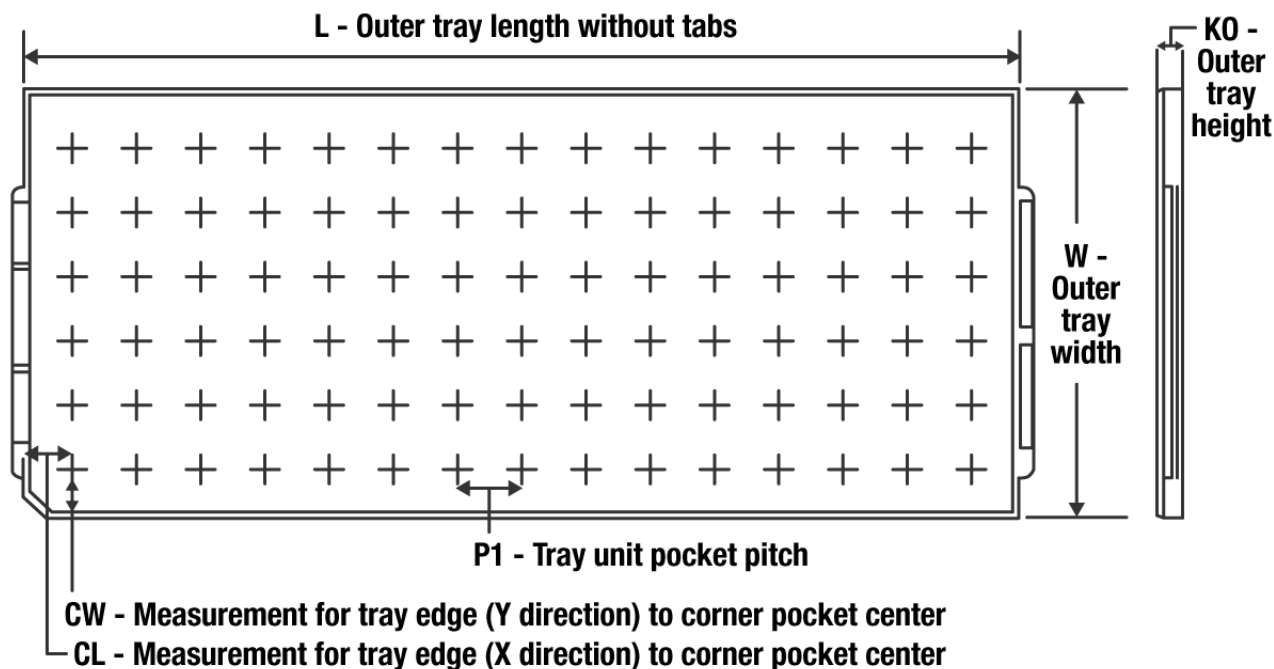

\*All dimensions are nominal

| Device         | Package Type | Package Drawing | Pins | SPQ  | Reel Diameter (mm) | Reel Width W1 (mm) | A0 (mm) | B0 (mm) | K0 (mm) | P1 (mm) | W (mm) | Pin1 Quadrant |
|----------------|--------------|-----------------|------|------|--------------------|--------------------|---------|---------|---------|---------|--------|---------------|
| ADS131E08SPAGR | TQFP         | PAG             | 64   | 1500 | 330.0              | 24.4               | 13.0    | 13.0    | 1.5     | 16.0    | 24.0   | Q2            |

**TAPE AND REEL BOX DIMENSIONS**


\*All dimensions are nominal

| Device         | Package Type | Package Drawing | Pins | SPQ  | Length (mm) | Width (mm) | Height (mm) |
|----------------|--------------|-----------------|------|------|-------------|------------|-------------|
| ADS131E08SPAGR | TQFP         | PAG             | 64   | 1500 | 350.0       | 350.0      | 43.0        |

**TRAY**


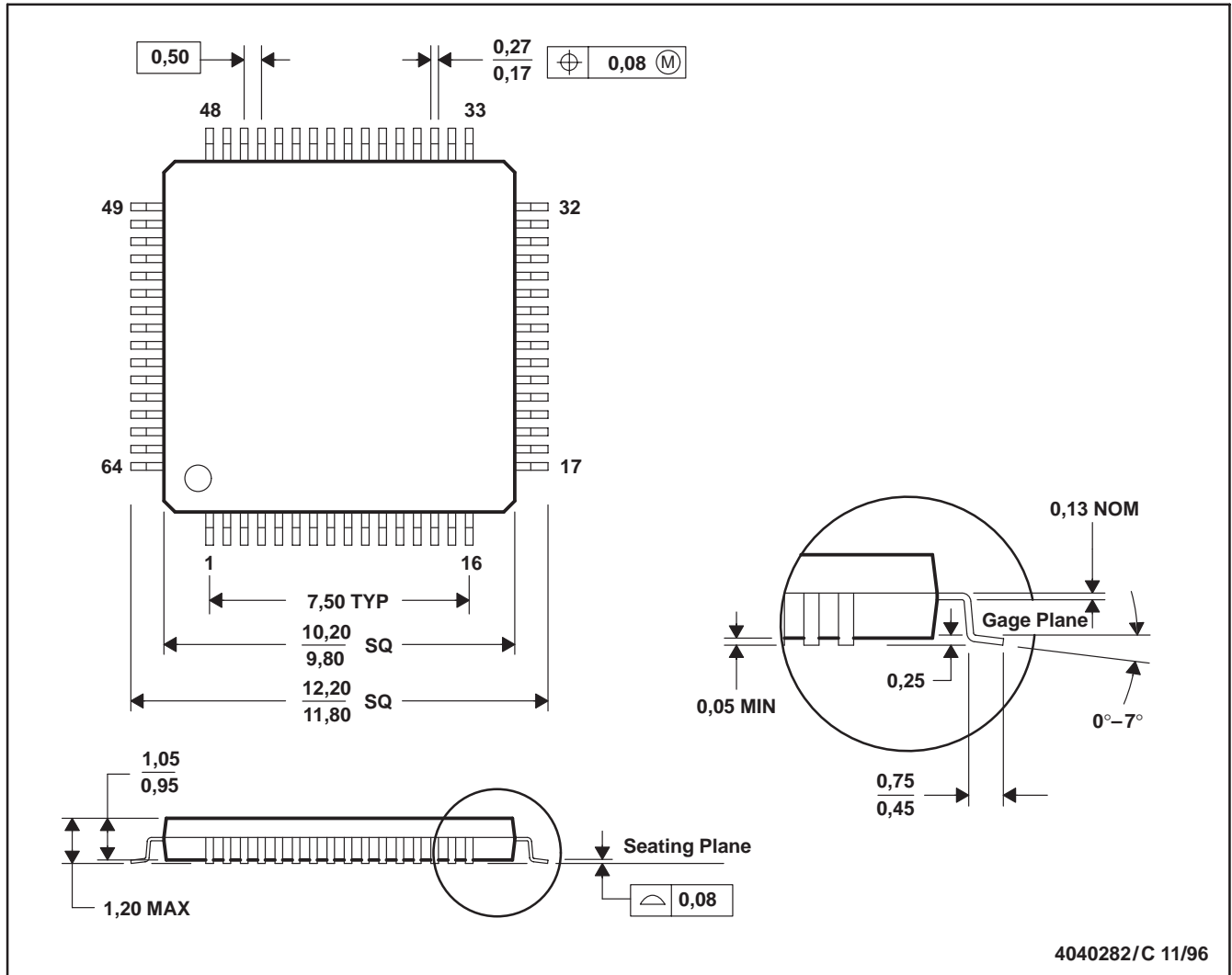
Chamfer on Tray corner indicates Pin 1 orientation of packed units.

\*All dimensions are nominal

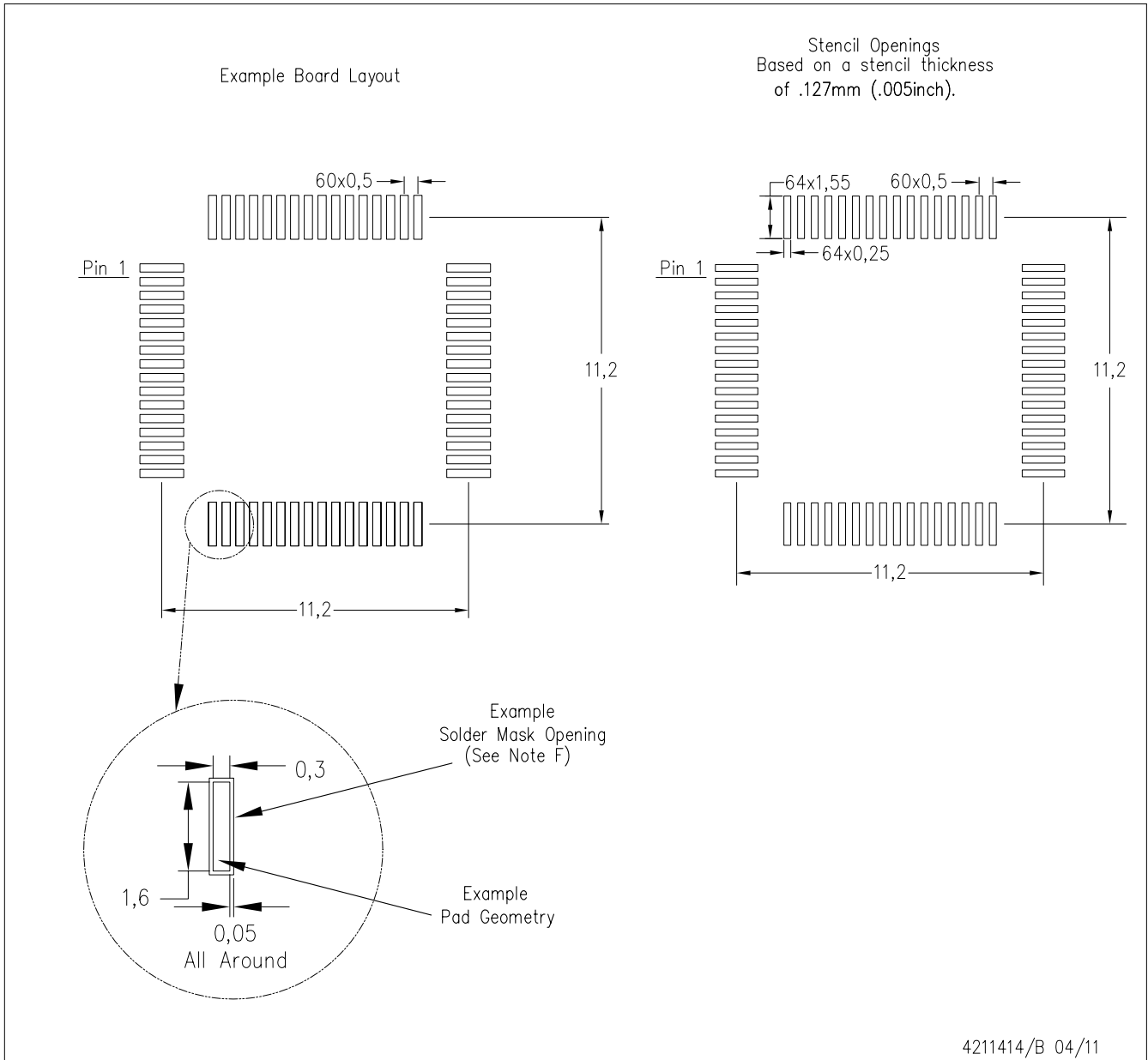
| Device        | Package Name | Package Type | Pins | SPQ | Unit array matrix | Max temperature (°C) | L (mm) | W (mm) | K0 (µm) | P1 (mm) | CL (mm) | CW (mm) |
|---------------|--------------|--------------|------|-----|-------------------|----------------------|--------|--------|---------|---------|---------|---------|
| ADS131E08SPAG | PAG          | TQFP         | 64   | 160 | 8 x 20            | 150                  | 315    | 135.9  | 7620    | 15.2    | 13.1    | 13      |

PAG (S-PQFP-G64)

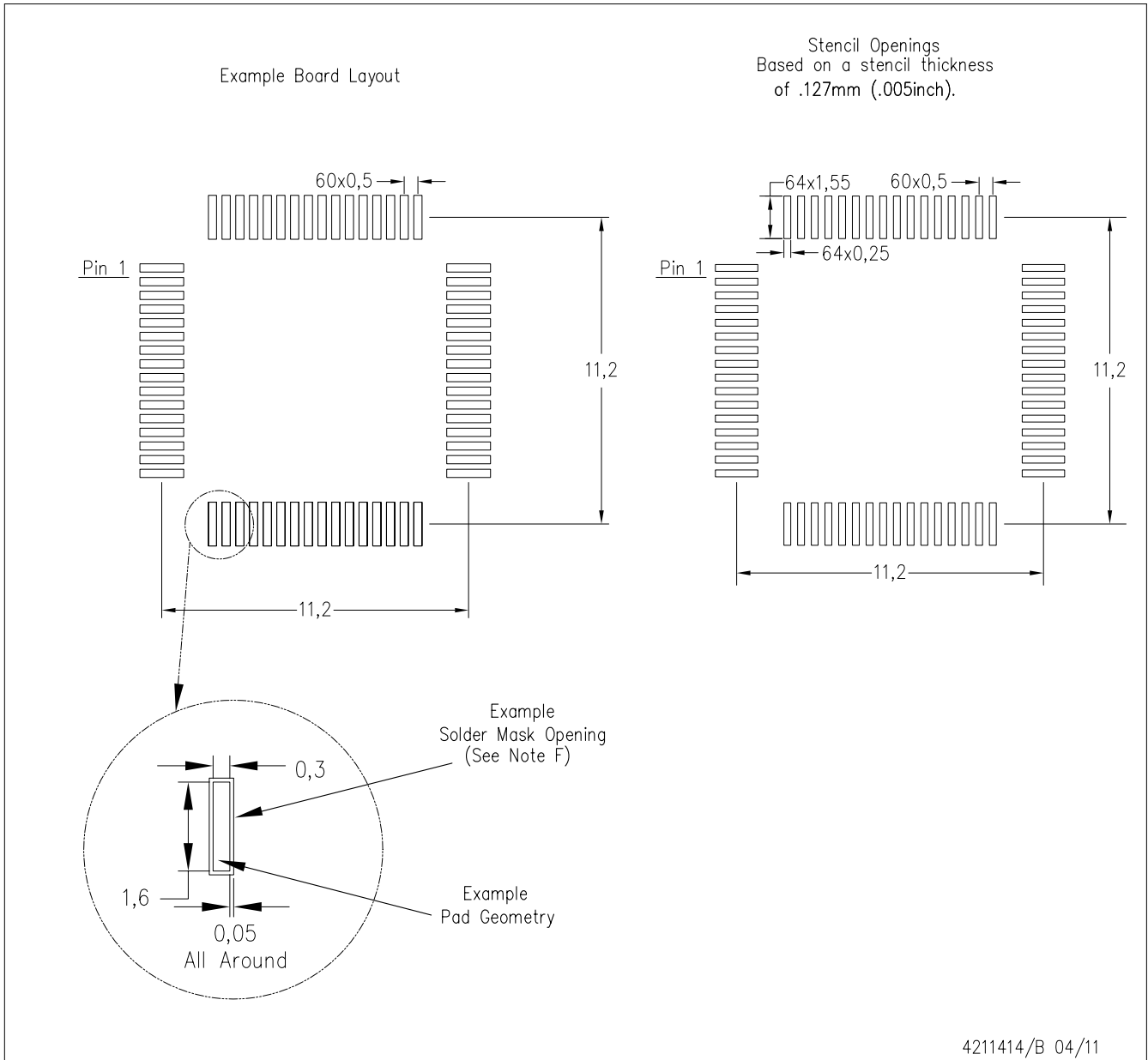
PLASTIC QUAD FLATPACK



- NOTES: A. All linear dimensions are in millimeters.  
 B. This drawing is subject to change without notice.  
 C. Falls within JEDEC MS-026



- NOTES:
- A. All linear dimensions are in millimeters.
  - B. This drawing is subject to change without notice.
  - C. Laser cutting apertures with trapezoidal walls and also rounding corners will offer better paste release. Customers should contact their board assembly site for stencil design recommendations. Example stencil design based on a 50% volumetric metal load solder paste. Refer to IPC-7525 for other stencil recommendations.
  - D. Customers should contact their board fabrication site for solder mask tolerances between and around signal pads.



- NOTES:
- A. All linear dimensions are in millimeters.
  - B. This drawing is subject to change without notice.
  - C. Laser cutting apertures with trapezoidal walls and also rounding corners will offer better paste release. Customers should contact their board assembly site for stencil design recommendations. Example stencil design based on a 50% volumetric metal load solder paste. Refer to IPC-7525 for other stencil recommendations.
  - D. Customers should contact their board fabrication site for solder mask tolerances between and around signal pads.



## IMPORTANT NOTICE AND DISCLAIMER

TI PROVIDES TECHNICAL AND RELIABILITY DATA (INCLUDING DATA SHEETS), DESIGN RESOURCES (INCLUDING REFERENCE DESIGNS), APPLICATION OR OTHER DESIGN ADVICE, WEB TOOLS, SAFETY INFORMATION, AND OTHER RESOURCES "AS IS" AND WITH ALL FAULTS, AND DISCLAIMS ALL WARRANTIES, EXPRESS AND IMPLIED, INCLUDING WITHOUT LIMITATION ANY IMPLIED WARRANTIES OF MERCHANTABILITY, FITNESS FOR A PARTICULAR PURPOSE OR NON-INFRINGEMENT OF THIRD PARTY INTELLECTUAL PROPERTY RIGHTS.

These resources are intended for skilled developers designing with TI products. You are solely responsible for (1) selecting the appropriate TI products for your application, (2) designing, validating and testing your application, and (3) ensuring your application meets applicable standards, and any other safety, security, regulatory or other requirements.

These resources are subject to change without notice. TI grants you permission to use these resources only for development of an application that uses the TI products described in the resource. Other reproduction and display of these resources is prohibited. No license is granted to any other TI intellectual property right or to any third party intellectual property right. TI disclaims responsibility for, and you will fully indemnify TI and its representatives against, any claims, damages, costs, losses, and liabilities arising out of your use of these resources.

TI's products are provided subject to [TI's Terms of Sale](#) or other applicable terms available either on [ti.com](http://ti.com) or provided in conjunction with such TI products. TI's provision of these resources does not expand or otherwise alter TI's applicable warranties or warranty disclaimers for TI products.

TI objects to and rejects any additional or different terms you may have proposed.

Mailing Address: Texas Instruments, Post Office Box 655303, Dallas, Texas 75265  
Copyright © 2022, Texas Instruments Incorporated